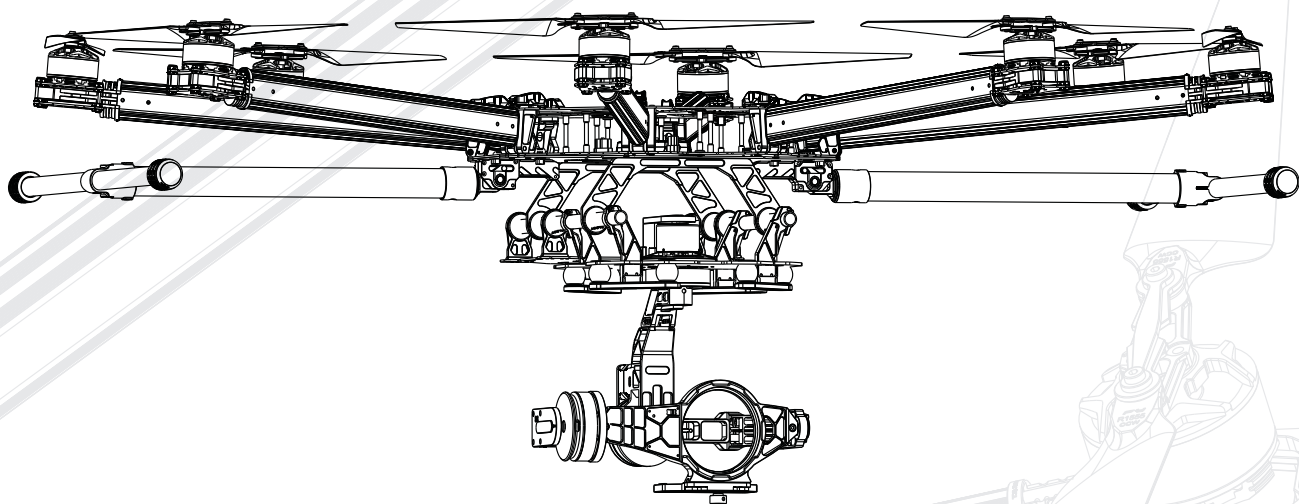
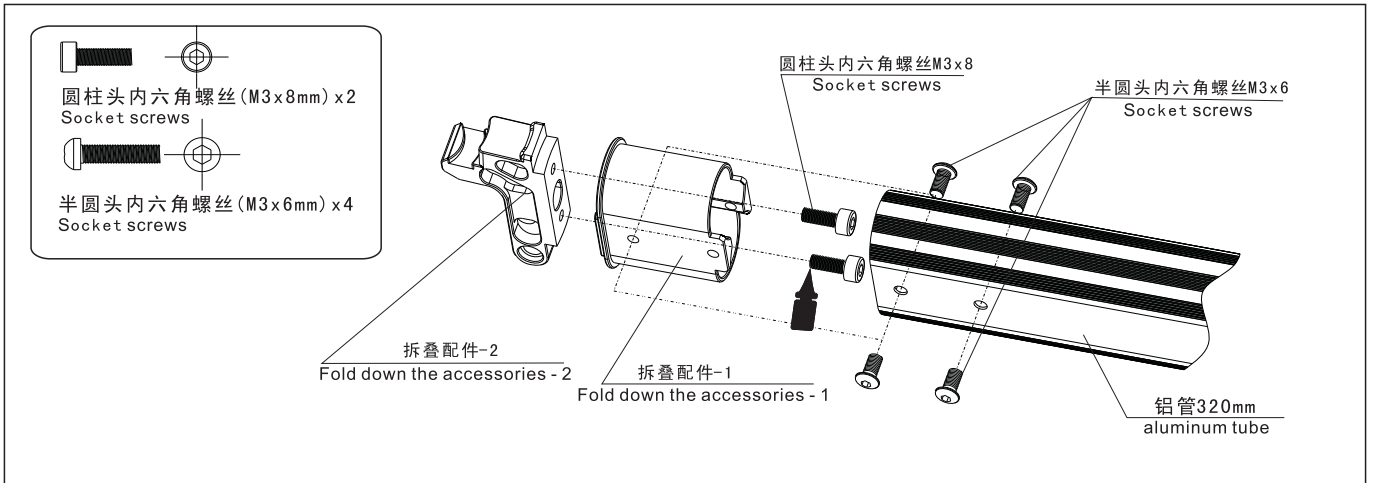


TAROT

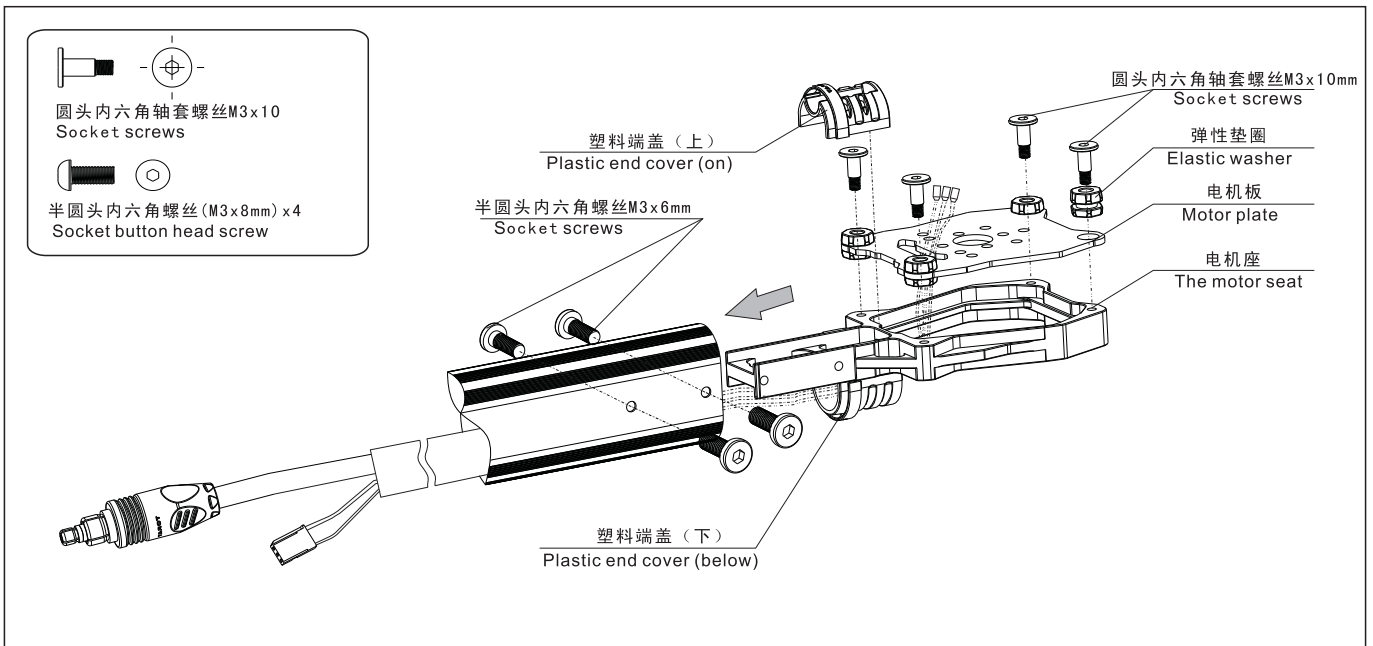
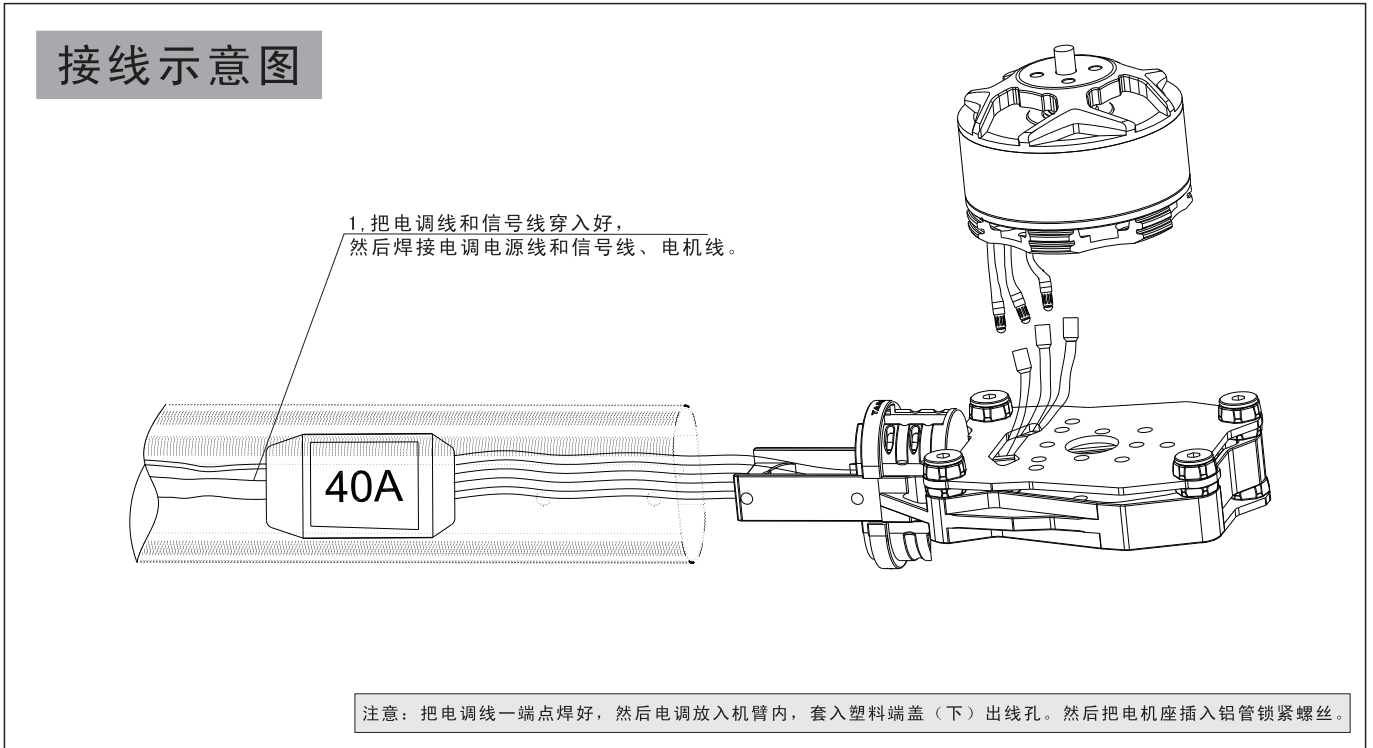
X8

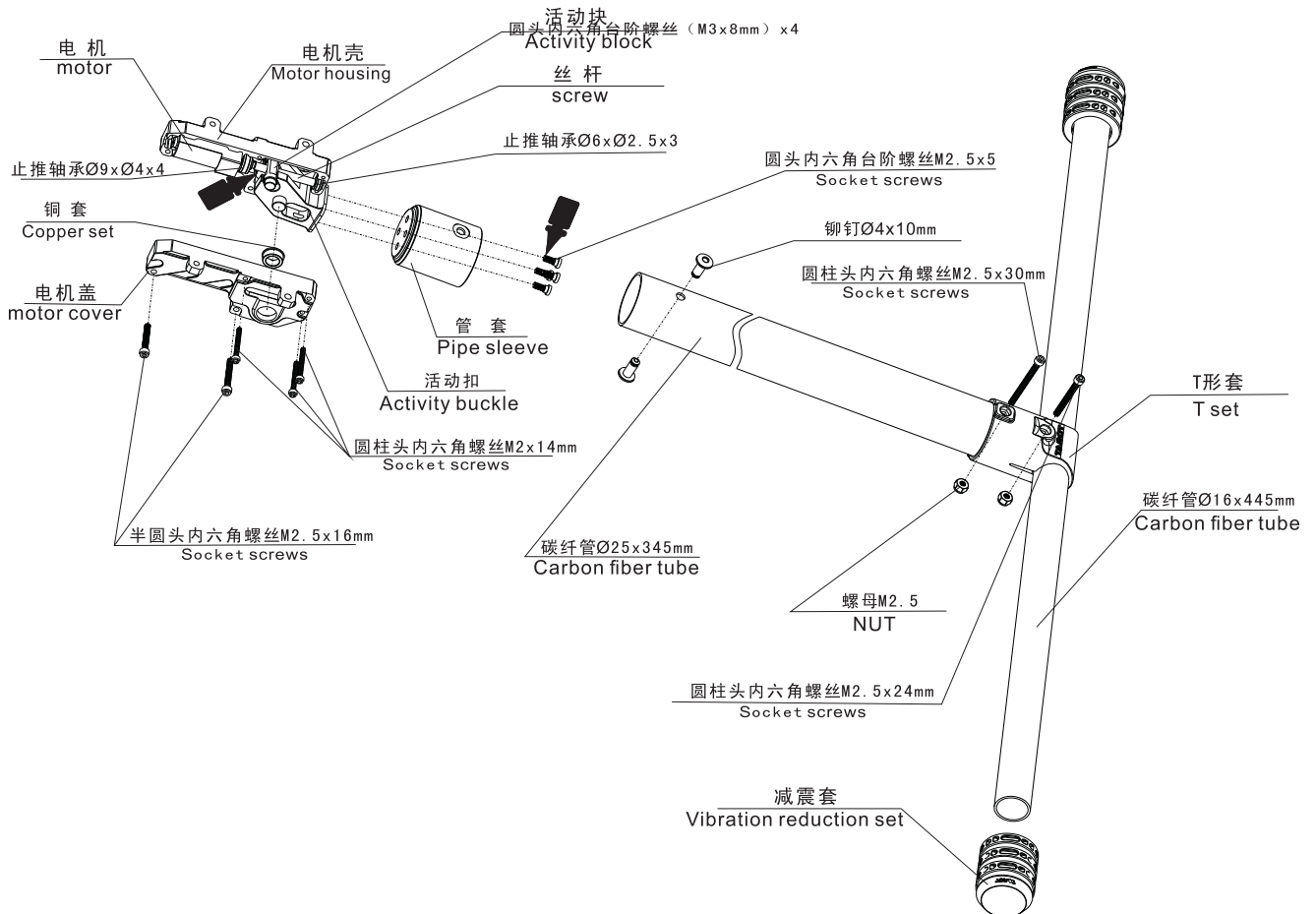
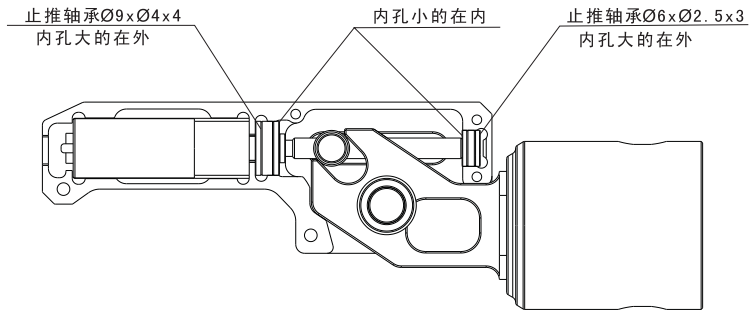
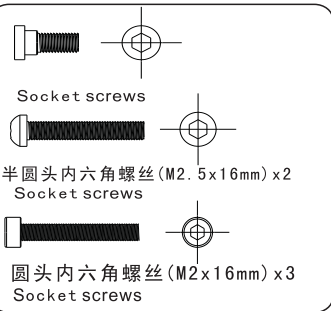
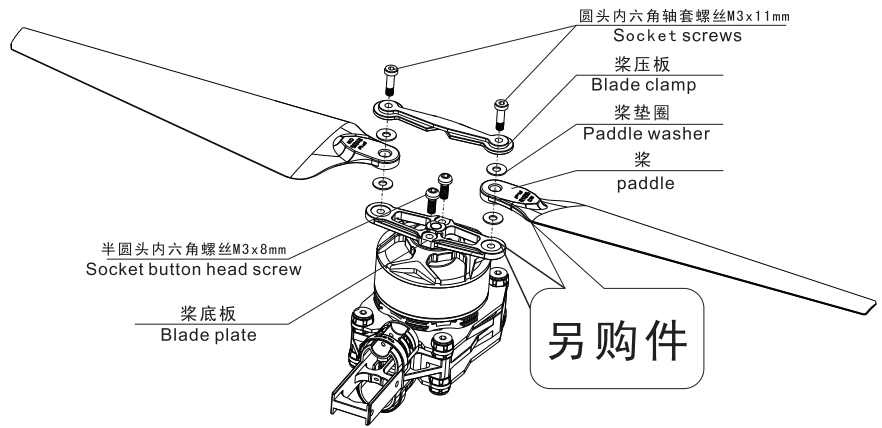
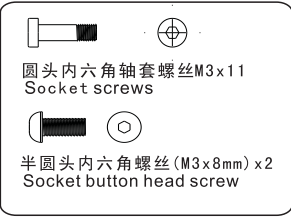


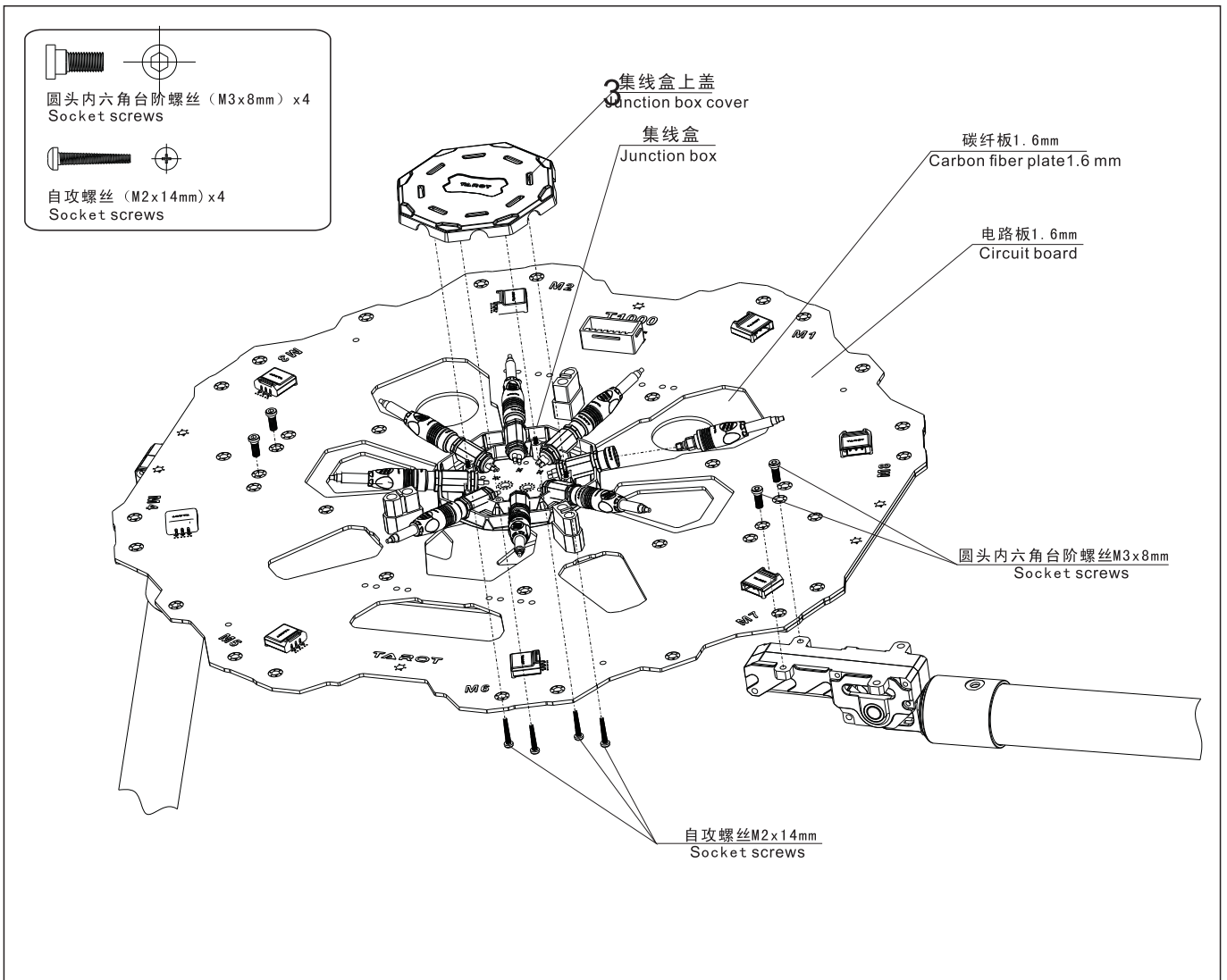
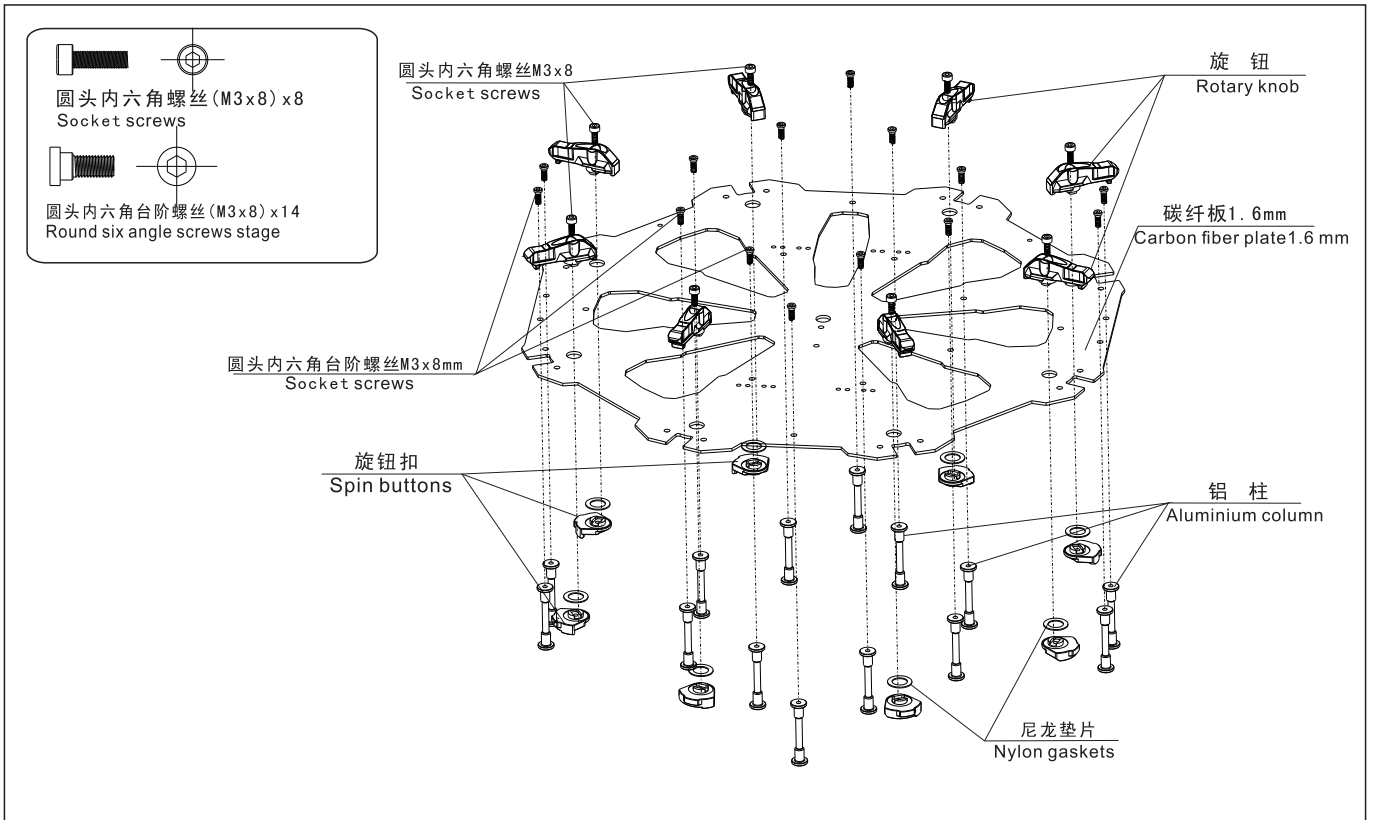
WWW.0577MX.COM

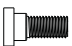



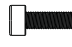

接线示意图

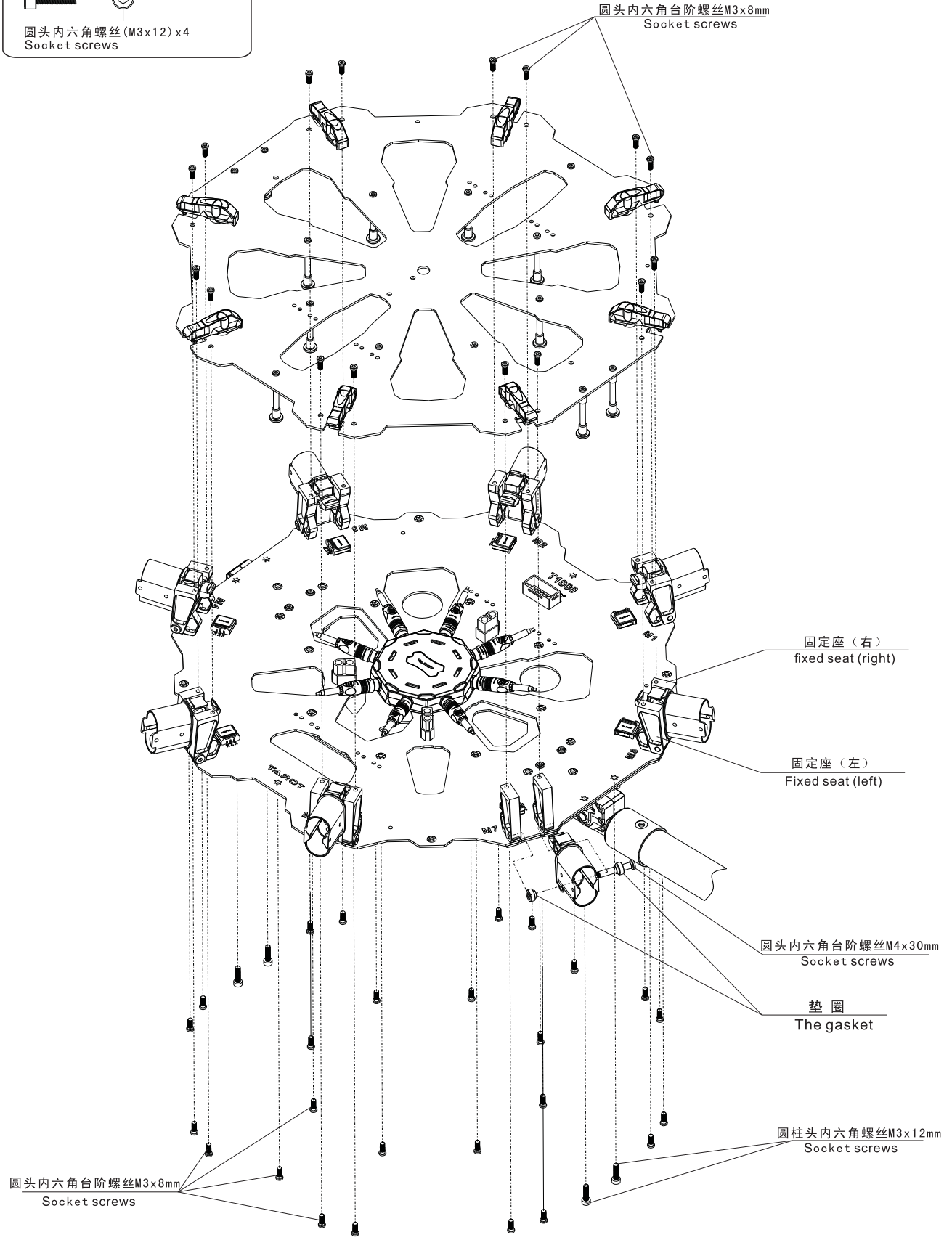








 圆头内六角台阶螺丝 (M3x8mm) x40
 Socket screws



 圆头内六角螺丝 (M3x12) x4
 Socket screws



CAUTION
注意

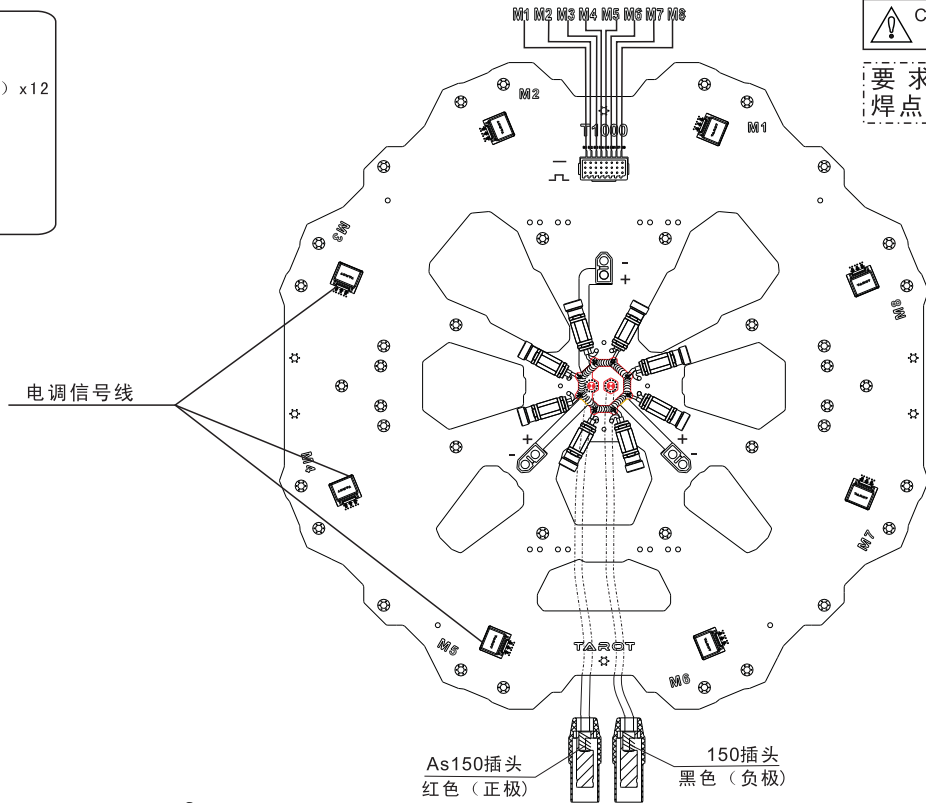
要求各处
焊点无虚焊



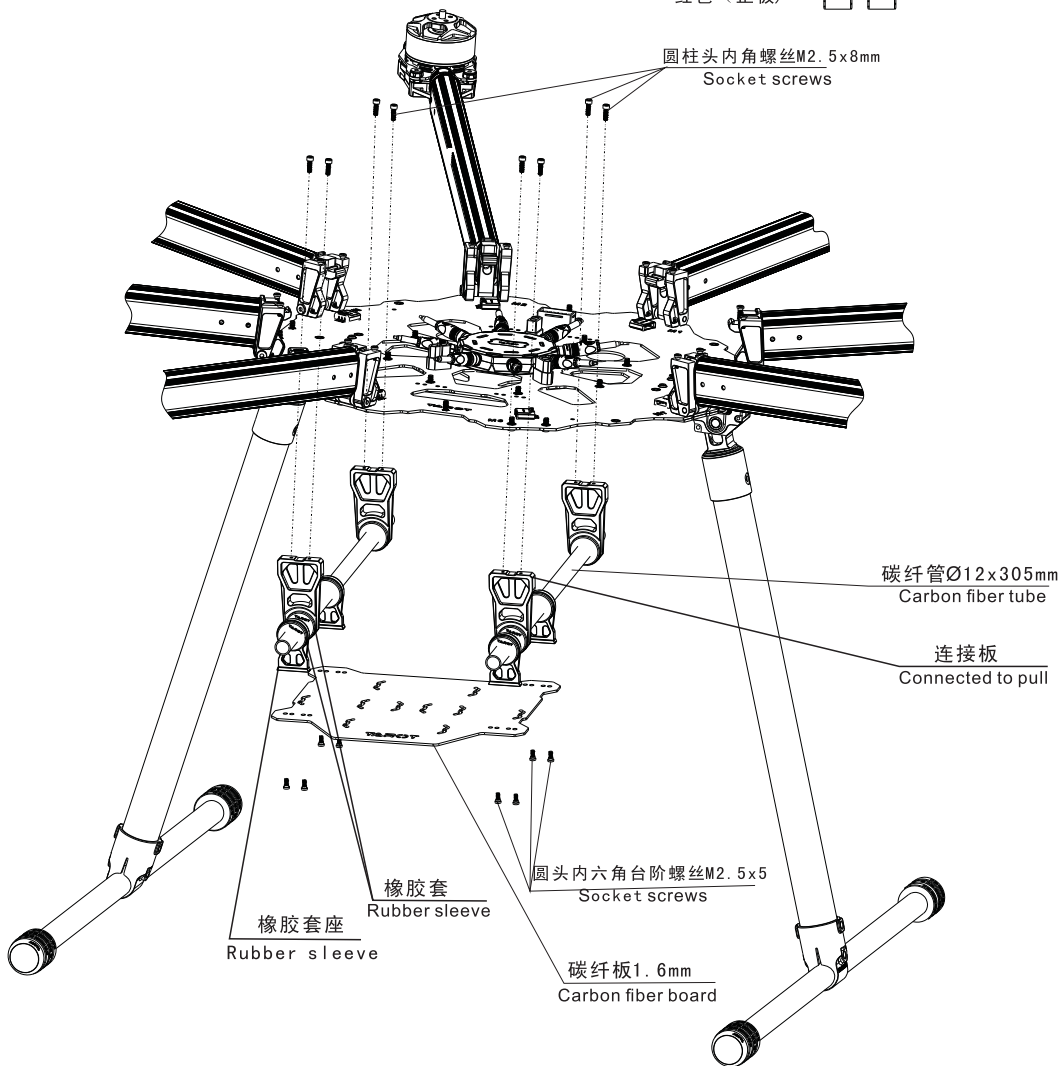
圆头内六角台阶螺丝 (M2.5x5mm) x12
Socket screws

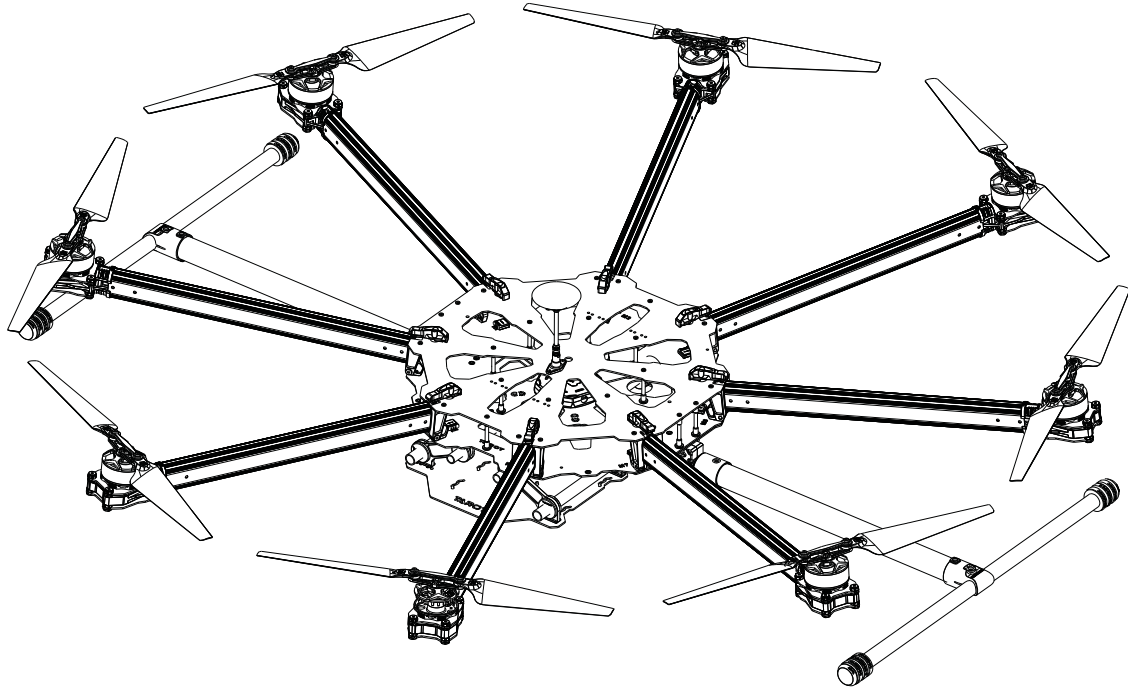


圆头内六角螺丝 (M2.5x8) x8
Socket screws



圆柱头内角螺丝M2.5x8mm
Socket screws





Warning
警告

the state intellectual property has been awarded the tarot model.,ltd four patents .any units or individual without the license holder manufacture copy use and sale the product will be patent lawsuit

国家知识产权局已授予TAROT航模有限公司此产品五项专利权。任何单位或个人未经持有者授权许可，制造、仿造、使用、销售侵权此产品，将会面临专利侵权诉讼。

专利号 patent number: 2014301541104

专利号 patent number: 2014302624231

专利号 patent number: 2014302624585

专利号 patent number: 2014302624299

专利号 patent number: 2014302583208



FORBIDDEN
禁止

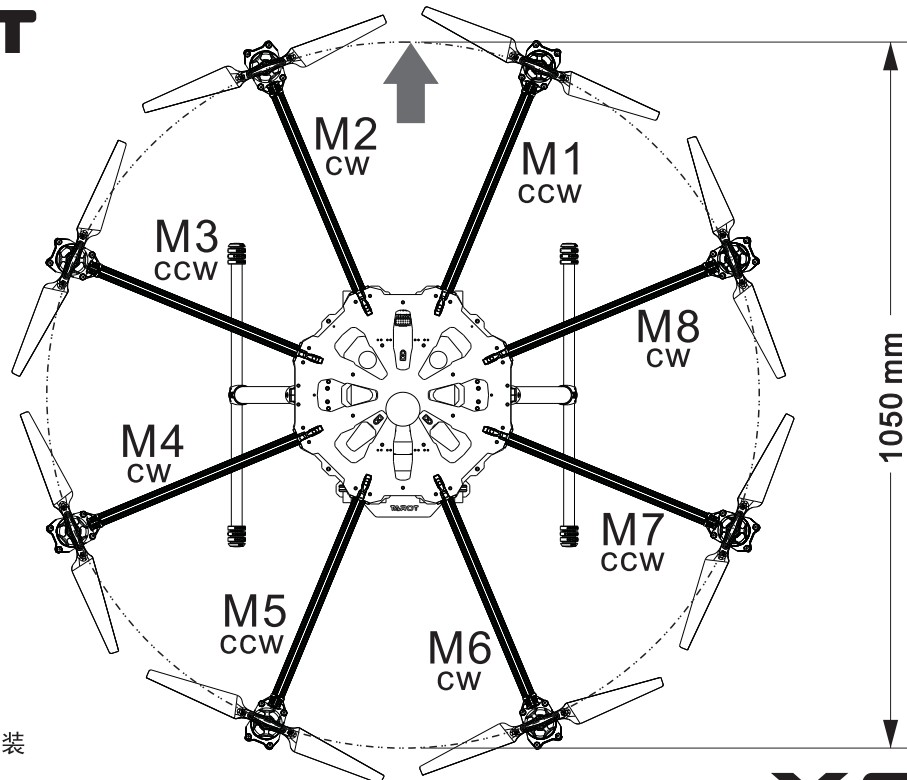
In any prohibited under the environment of, please do not try to operate aircraft.
在任何禁止的环境下，请勿尝试操作飞行器。



Warning
警告

Please players need to master a certain flight vehicle technology within the scope of operation, to avoid unnecessary losses and life safety.
请玩家需要掌握一定的飞行技术范围内操作飞行器，避免造成不必要的损失及人生安全。

TAROT



CAUTION
注意

螺旋桨有正反之分，安装前请仔细辨认！

X8



The state intellectual property has been awarded the TAROT model.,ltd five patents. Any units or individual without the license holder manufacture、copy、use and sale the product will be patent lawsuit.

国家知识产权已授予TAROT航模有限公司此产品五项专利权.任何单位或个人未经持有者授权许可，制造、仿造、使用、销售此产品将会面临专利侵权诉讼.

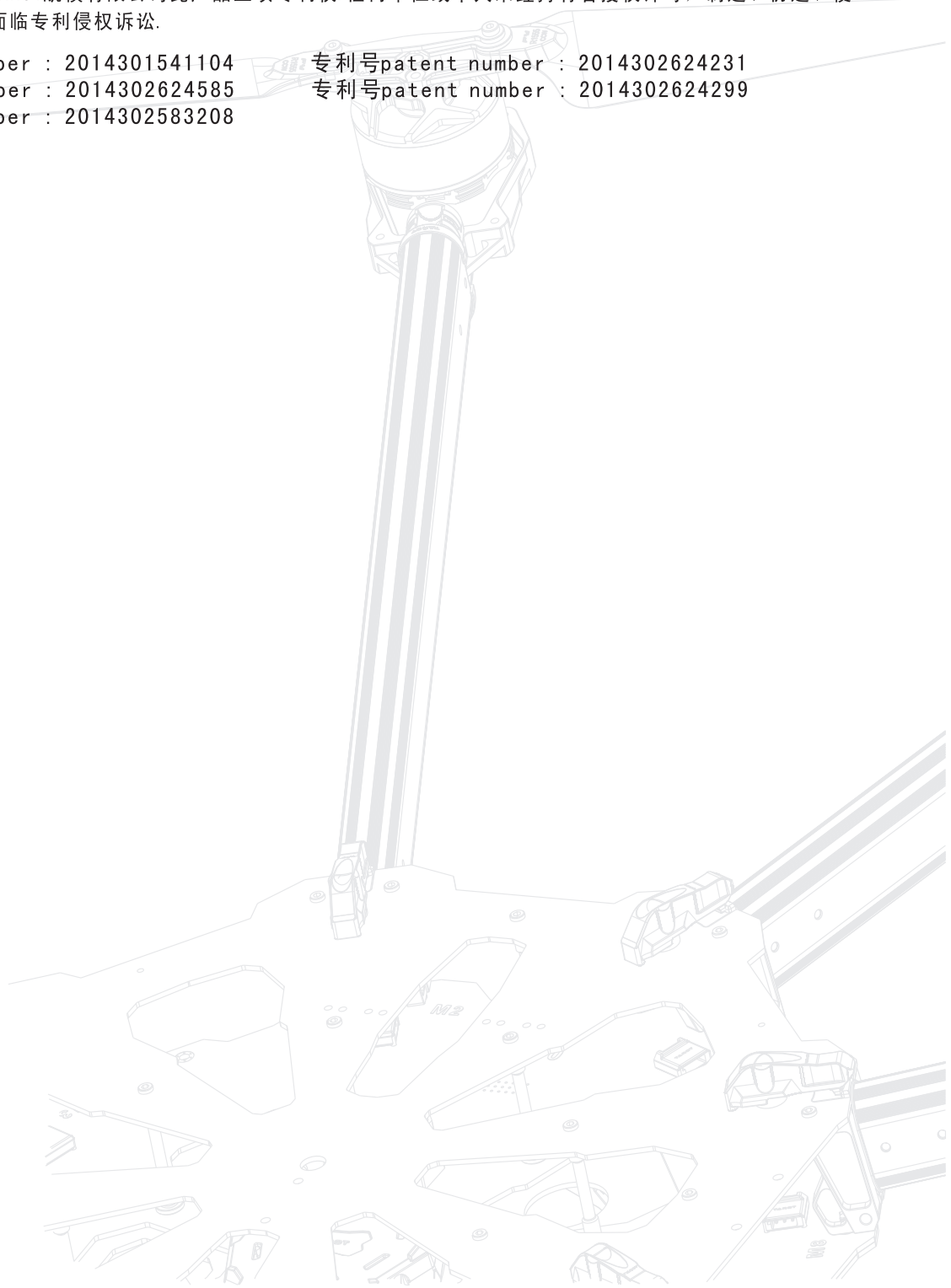
专利号patent number : 2014301541104

专利号patent number : 2014302624585

专利号patent number : 2014302583208

专利号patent number : 2014302624231

专利号patent number : 2014302624299



MADE IN CHINA

2014 TAROT. ALL Rights Reserved.

Frame Weight: 1905g