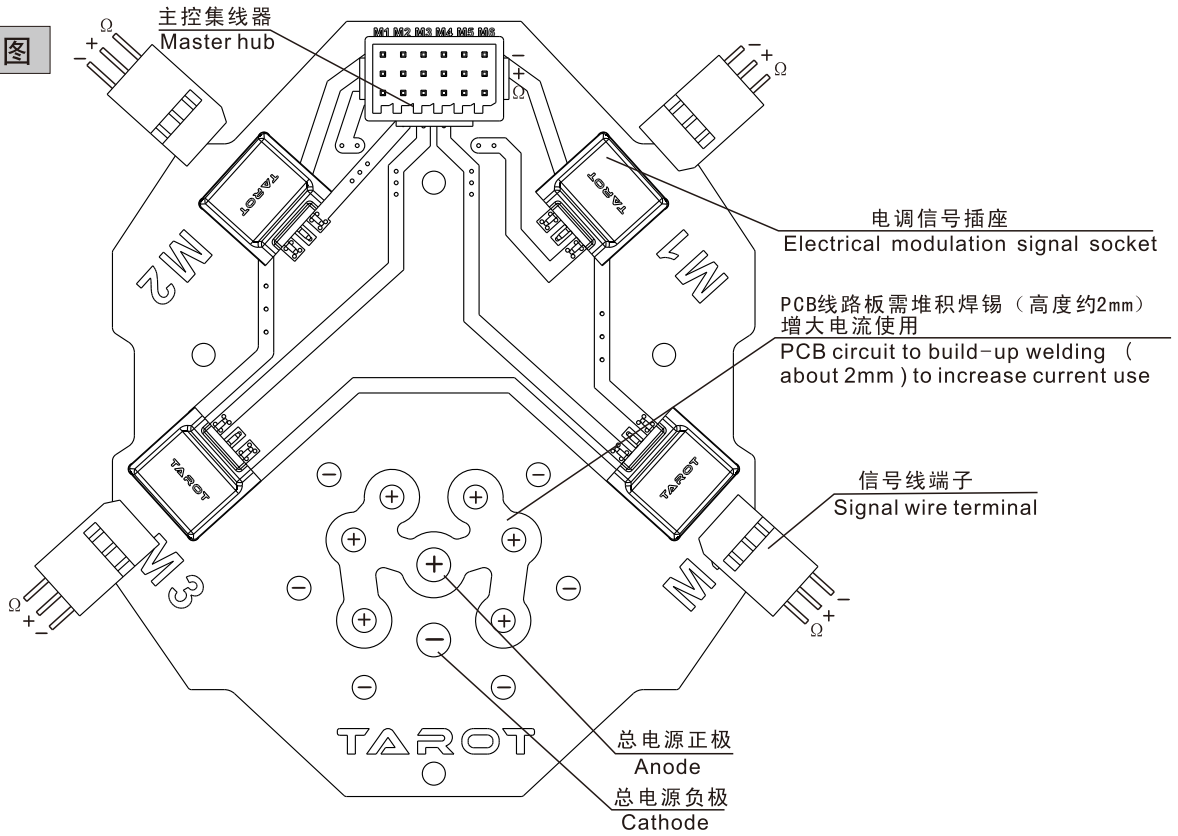
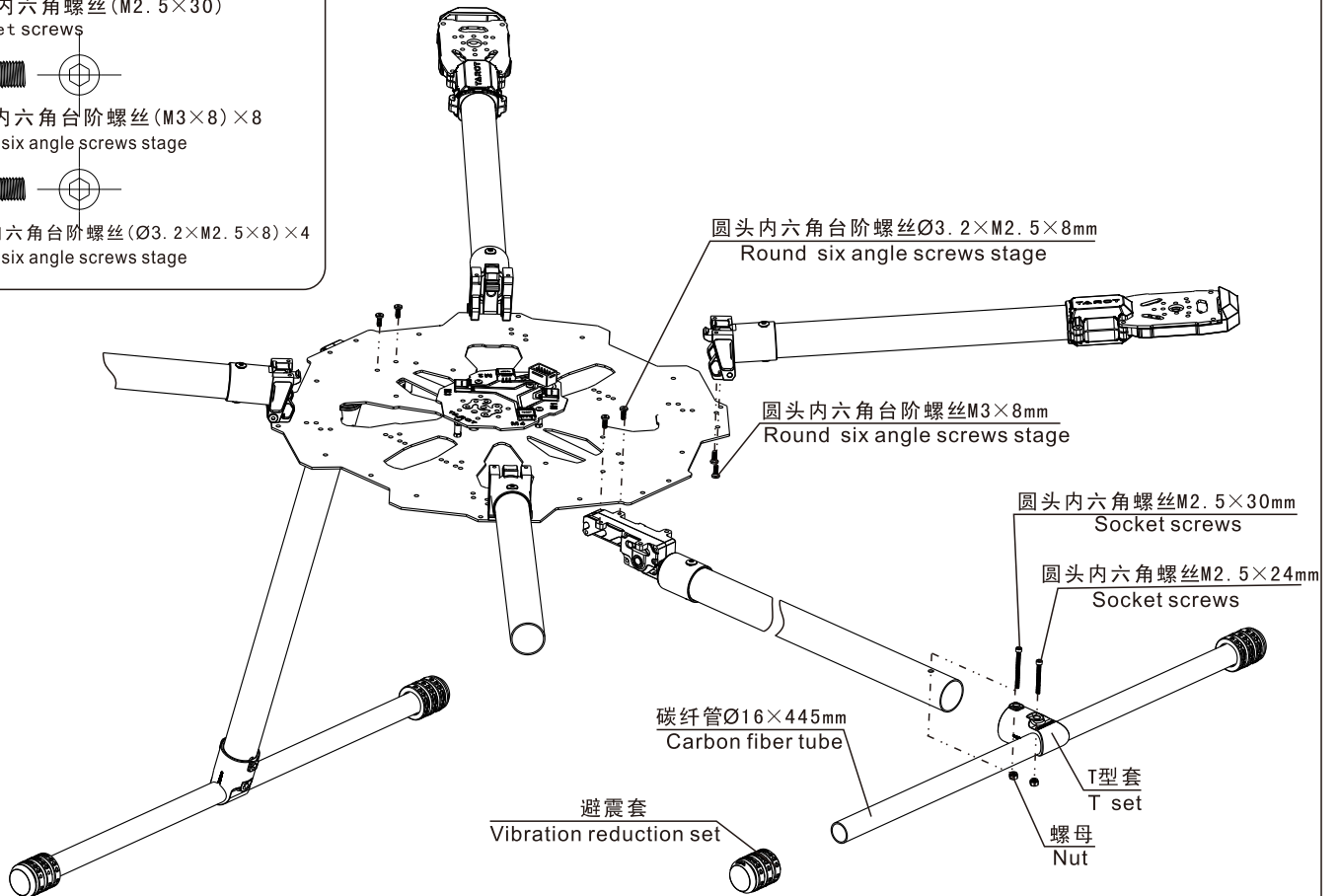
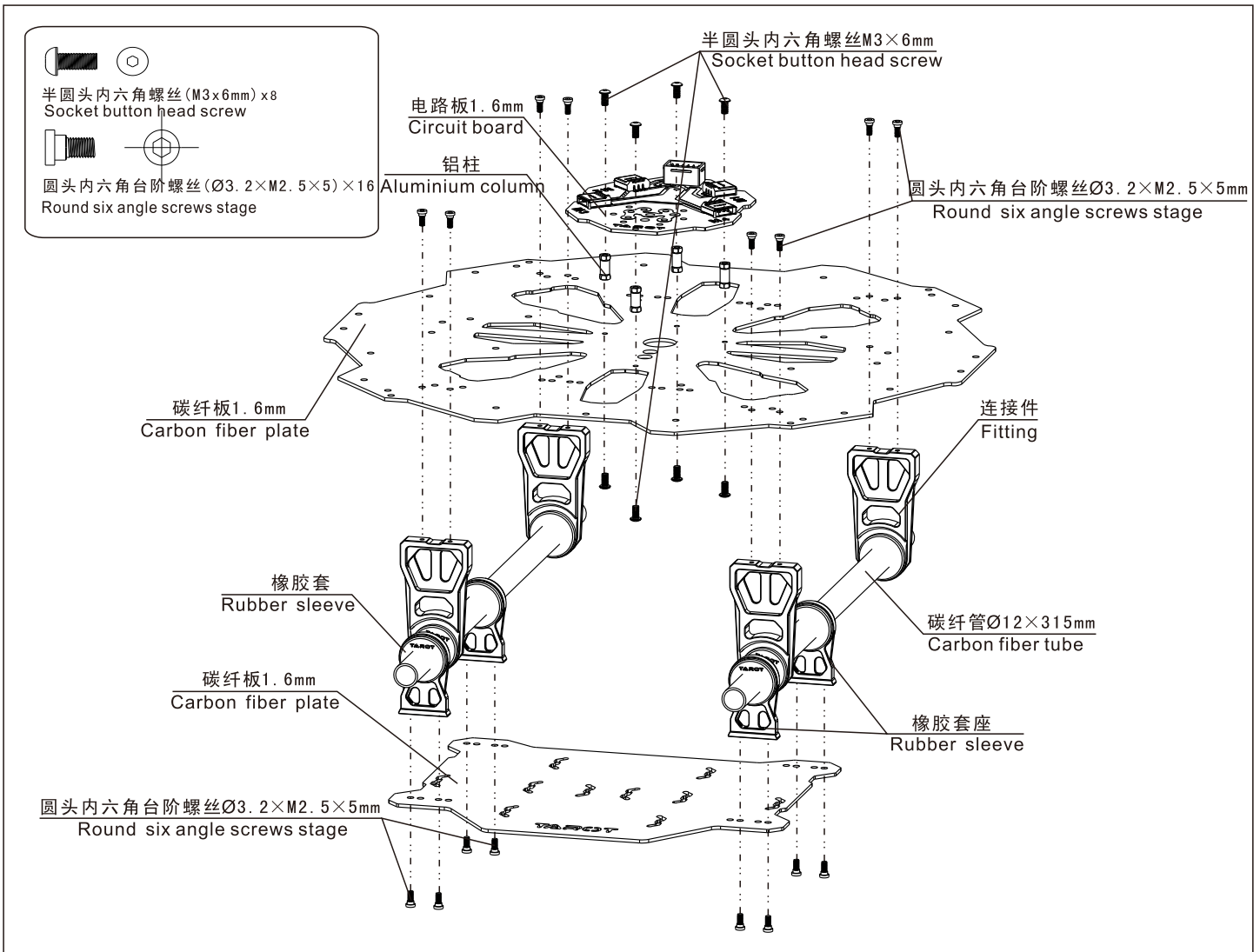
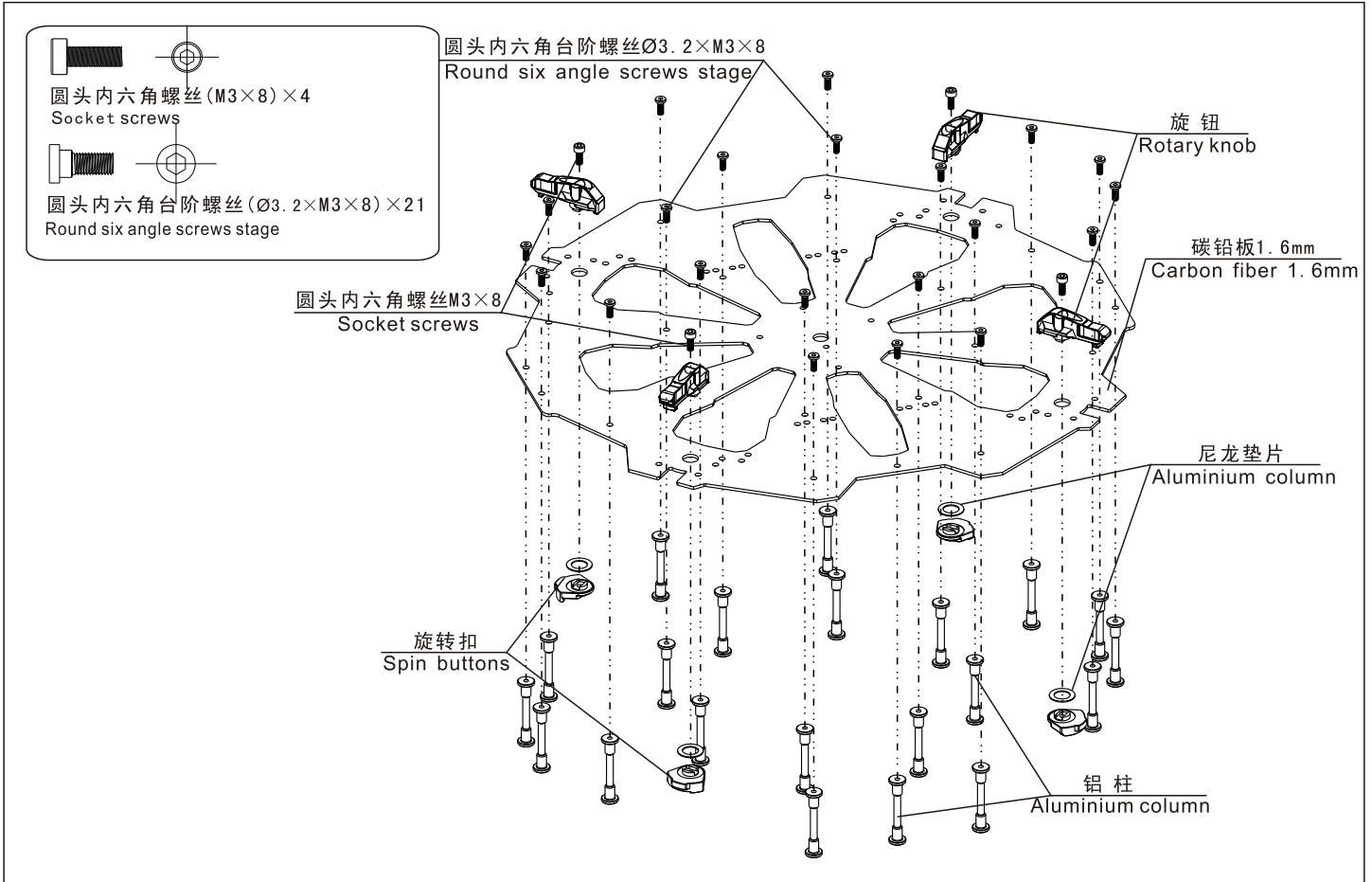


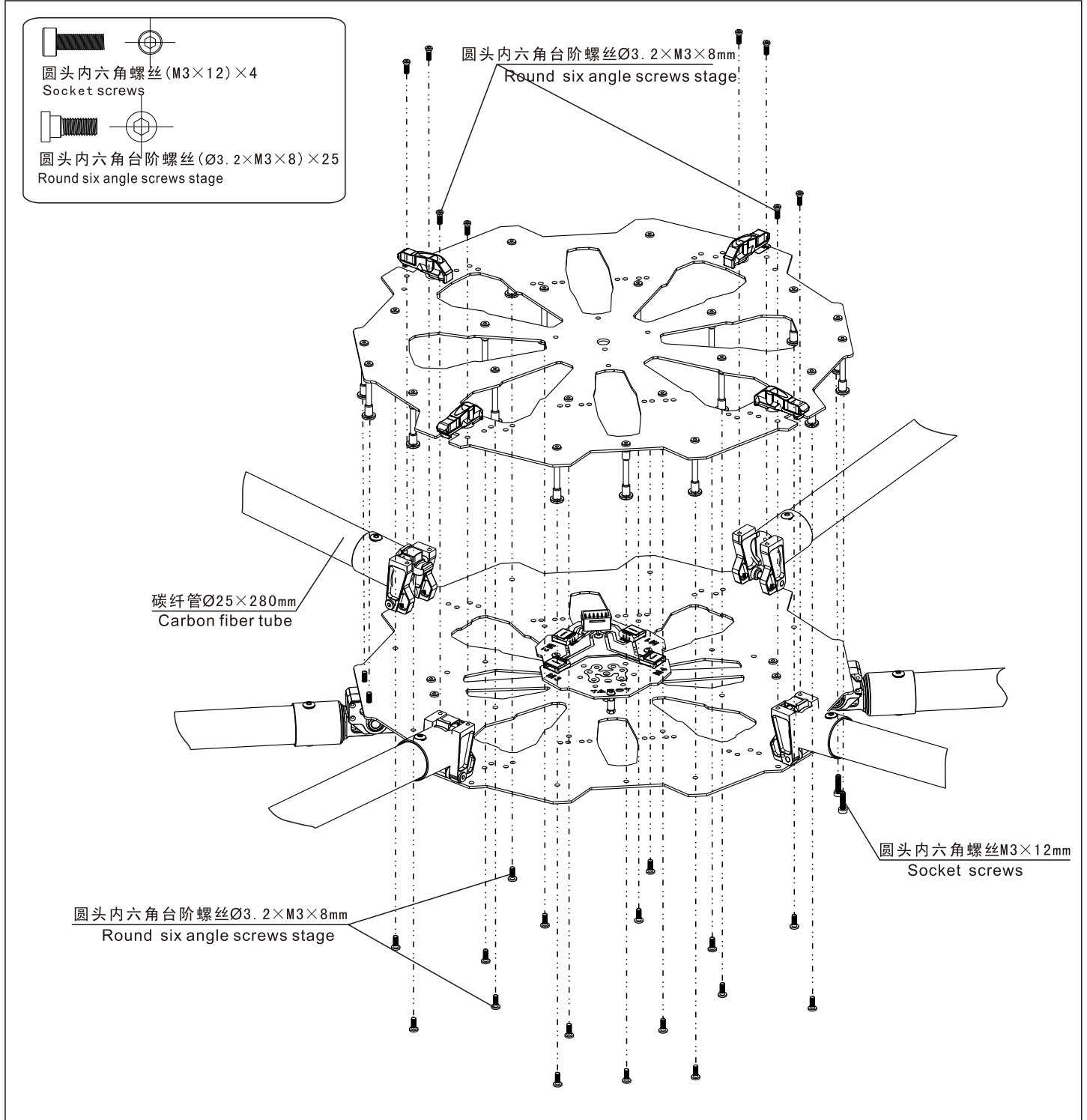
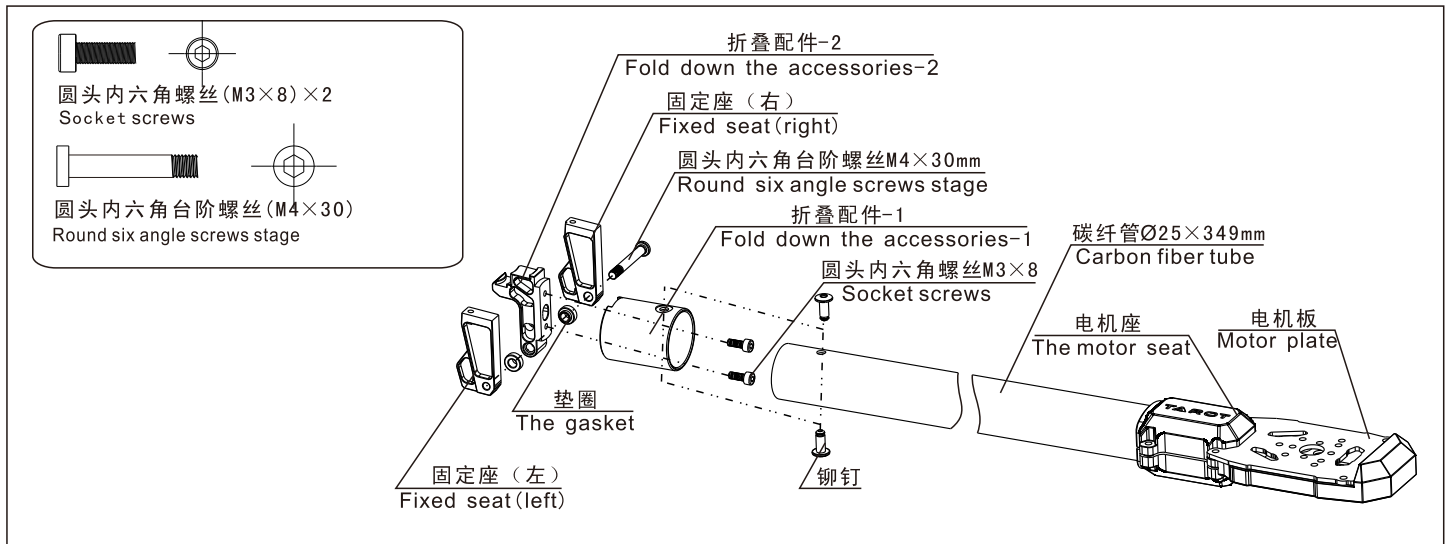
焊接配件示意图

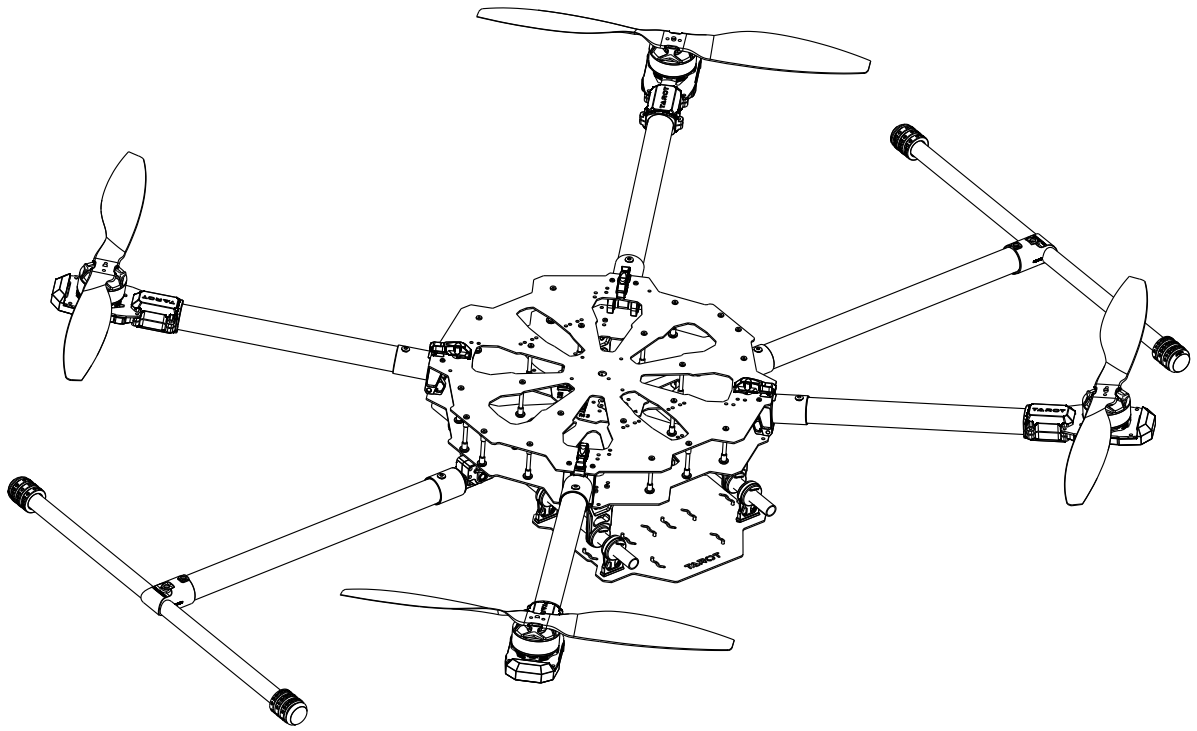


- 圆头内六角螺丝 (M2.5×24)
Socket screws
- 圆头内六角螺丝 (M2.5×30)
Socket screws
- 圆头内六角台阶螺丝 (M3×8)×8
Round six angle screws stage
- 圆头内六角台阶螺丝 (Ø3.2×M2.5×8)×4
Round six angle screws stage









Warning
警告

The state intellectual property has been awarded the TAROT model.,ltd five patents. Any units or individual without the license holder manufacture、copy、use and sale the product will be patent lawsuit.

国家知识产权已授予TAROT航模有限公司此产品五项专利权.任何单位或个人未经持有者授权许可,制造、仿造、使用、销售此产品将会面临专利侵权诉讼.

专利号patent number : 2014301541104

专利号patent number : 2014302624231

专利号patent number : 2014302624585

专利号patent number : 2014302624299

专利号patent number : 2014302583208



Forbidden
禁止

In any prohibited under the environment of , please do not try to operate aircraft.

在任何禁止的环境下,请勿尝试操作飞行器



Warning
警告

Please players need to master a certain flight vehicle technology within the scope of operation , to avoid unnecessary losses and life safety

在任何禁止的环境下,请勿尝试操作飞行器

TAROT

