

OV-10 BRONCO



95% PRE BUILT
ARF
ALMOST READY TO FLY

Technische Daten

- Spannweite = 1800 mm
- Länge = 1748mm
- Gewicht = ca. 6900g
- Flächeninhalt = 57.1dm²
- Flächenbelastung = 119.1 g/dm²
- Flächenprofil = Naca Airfoil

Empfohlener E-Antrieb

- Brushless Antriebsset BOOST 45
- LiPo Akku LEMONRC 4300-3S

Specifications

- Wingspan = 1800 mm
- Length= 1280mm
- Weight = approx. 6900g
- Wing Area = 57.1dm²
- Wing Loading = 119.1 g/dm²
- Airfoil = Naca Airfoil

Power Set (recommended)

- Brushless Power Set BOOST 45
- LiPo Battery LEMONRC 4300-3S

Inhaltsverzeichnis / Table of Content

▶ Symbols used throughout this instruction manual, comprise:	2	▶ Electric gear retracts.	19
▶ Parts listing (not included).	4	▶ Installing the nose gear	20
▶ Tools & supplies needed.	4	▶ Mounting the cowl.	24
▶ Installing the ailerons and flaps.	4	▶ Installing the spinner.	25
▶ Installing the ailerons and flaps servos.	4	▶ Plastic parts for fuselage	28
▶ Installing the control horns and linkages	6	▶ Installing the receiver and battery.	28
▶ Installing the engine mount.	8	▶ Wing attachment, horizontal stabilizer	29
▶ Installing the fuel tank.	8	▶ Installing cockpit fuselage.	31
▶ Installing the engine	9	▶ Balancing	33
▶ Installing the throttle	11	▶ Lateral balance.	34
▶ Installing the electric motor (ep version).	12	▶ Pre-flight chec.	34
▶ Rudder installation	13	▶ Control throws	34
▶ Installing horizontal stabilizer	14	▶ For your radio installation basic connection for airplane and adjustment of servos.	35
▶ Installing the wheel well	15	▶ Main gear dimensional detail	36
▶ Installing main gear	17		

Adressen der deutschen Modellsport Dachverbände

Deutscher Modellflieger Verband e. V.

Rochusstraße 104-106
53123 Bonn

Telefon: +49 (0) 228 97 85 00
Telefax: +49 (0) 228 978 50 85

eMail: info@dmfv.aero
Internet: www.dmfv.aero

Deutscher Aero Club e.V.

Hermann-Blenk-Str. 28
38108 Braunschweig

Telefon: 0531 23540 - 0

Telefax: 0531 23540 - 11

eMail: [info\(at\)daec.de](mailto:info(at)daec.de)

Symbols used throughout this instruction manual, comprise:



Cut off excess.



Apply threadlocker (screw cement).



Must be purchased separately!



Cut off shaded portion carefully.



Apply instant glue (C.A glue, super glue).



Ensure smooth, non-binding movement when assembling.



Pay close attention here.



Apply epoxy glue.



Drill holes using the stated. (in this case 1.5mm Ø).



Take particular care here.



Assemble left and right sides the same way.



The number of times the same way Assembly (in this case twice).



Warning!

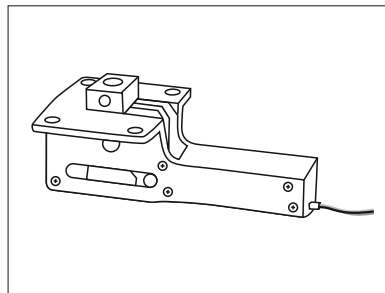
▶ Set all screws securely. If they come off during flight you will lose control of your aircraft!

Sonderzubehör für OV-10 Bronco / Accessories for OV-10 Bronco

Nachstehendes Zubehör wurde von uns ausgiebig erprobt und wird für beste Flugeigenschaften empfohlen. Weitere Informationen und Bestellmöglichkeit unter www.pichler-modellbau.de
These accessories have been extensively tested and are recommended for best flying performance.
For more information please visit www.pichler-modellbau.de



C9110
Brushless Power Set BOOST
Motor + Regler / Motor + ESC



C7211 + # C7212
Elektrisches Einziehfahrwerk
Electric Power Retract Kit



C9481 / x2
LiPo Akku LEMONRC 4300-4S
LiPo Battery LEMONRC 4300-4S



C6566
MASTER Flight Control 2
Flugstabilisator
Flight Stabilizer



C5374 MASTER
Fernsteuerset 2.4Ghz
Radio Set 2.4Ghz



C5638 Servo DS3012MG
(8 Stück erforderlich)
(8 pcs. required)



C5754 / x2
PI-CON Propeller



C4738
Akku Klettband
Battery Straps



C6342 Flächenschutztaschen
Protective Wing bags

Servokabel Verlängerungen / Servo Extension Leads

 x 4	# C2415
 x 1	# C8125
	1000mm x 1	# C9097
	400mm x 10	# C2036
	250mm x 8	# C1393



X3598-200

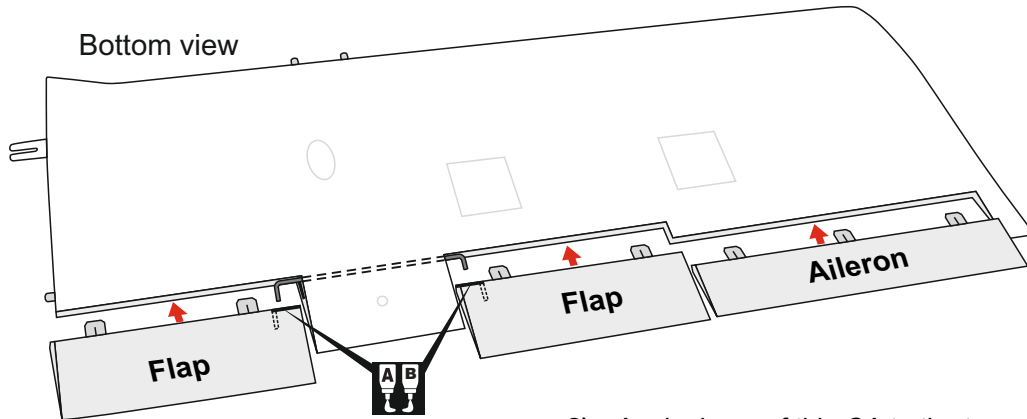


X3571

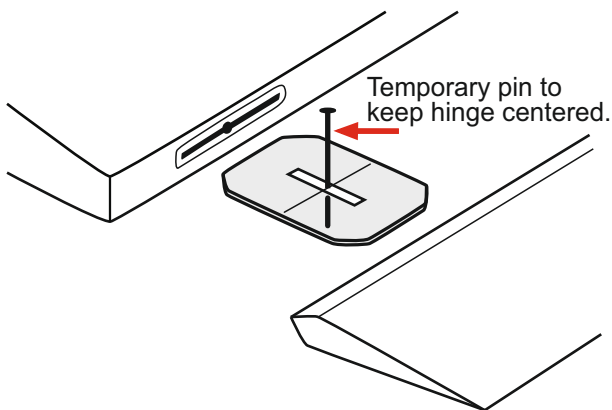


X3581

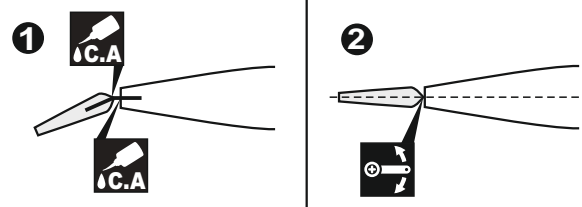
INSTALLING THE AILERONS AND FLAPS.



1) Test fit the ailerons to the wing with the hinges. If the hinges don't remain centered, stick a pin through the middle of the hinge to hold it in position.



2) Apply drops of thin CA to the top and bottom of each hinge. Do not use CA accelerator. After the CA has fully hardened, test the hinges by pulling on the aileron.

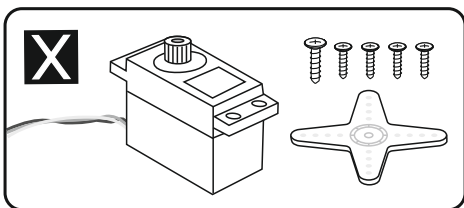


Warning!

► Make certain the hinges are adequately secured with glue. If they come loose in flight accidents may result.

- 1) Secure nylon hinges with instant glue, being careful not to glue the wing and aileron together.
- 2) Align the center line of main wing with aileron.

INSTALLING THE AILERONS AND FLAPS SERVOS.



1. Install the rubber grommets and brass eyelets onto the aileron servos.

2. Using a modeling knife, remove the covering from over the pre-cut servo arm exit hole on the aileron servo tray / hatch. This hole will allow the servo arm to pass through when installing the aileron pushrods.

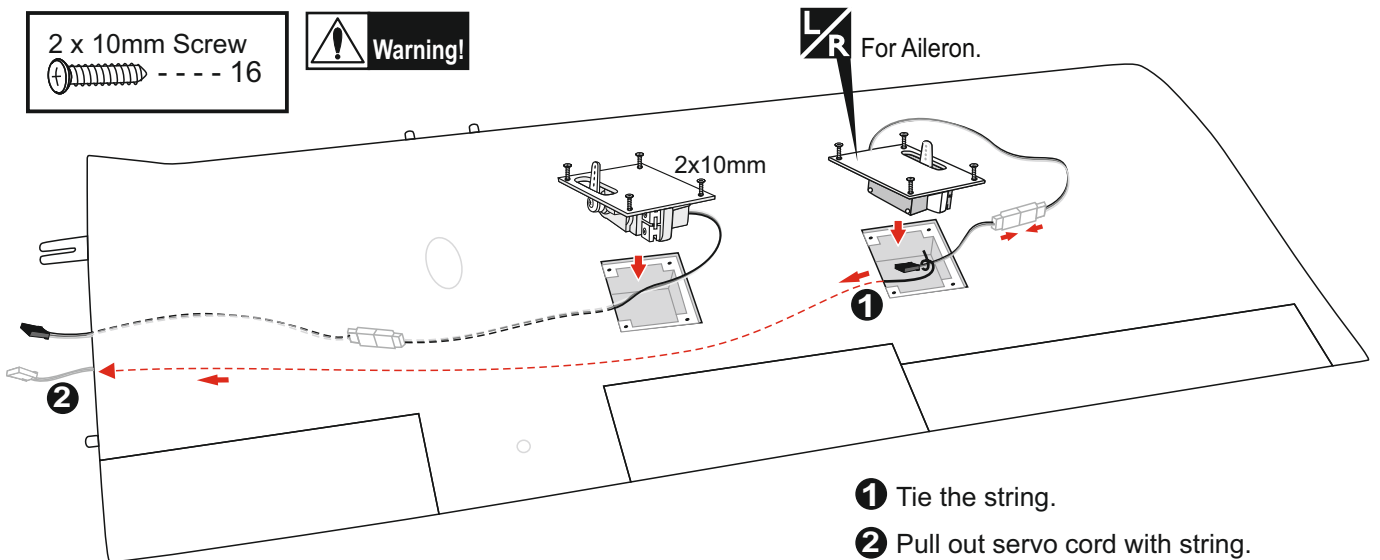
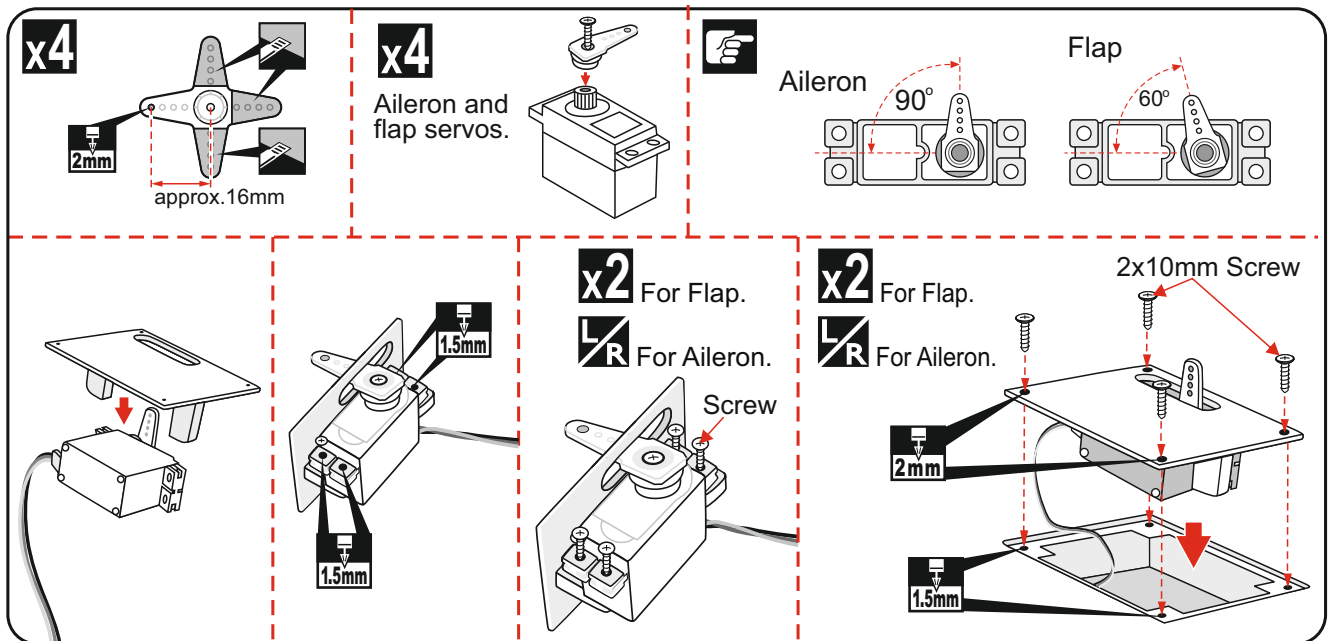
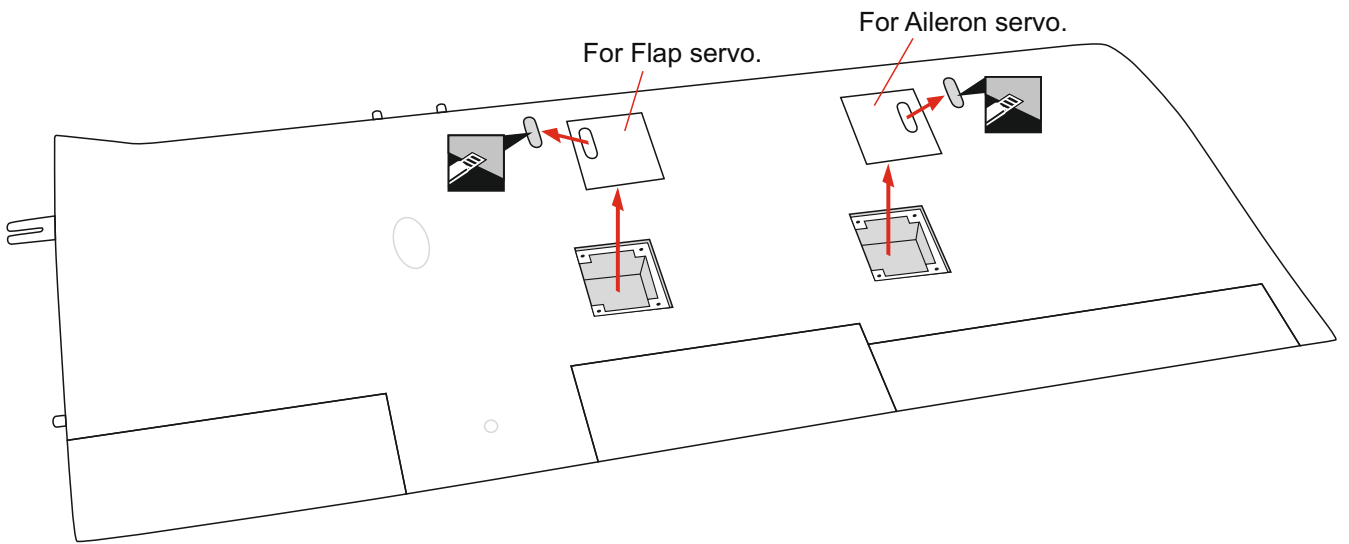
3. Place the servo into the servo tray. Center the servo within the tray and drill 1.5mm pilot holes

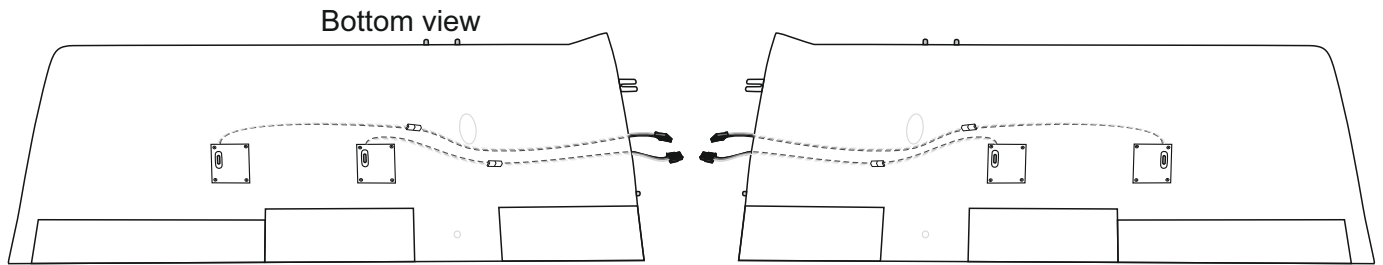
through the block of wood for each of the four mounting screws provided with the servo.

4. Using the thread as a guide and using masking tape, tape the servo lead to the end of the thread: carefully pull the thread out. When you have pulled the servo lead out, remove the masking tape and the servo lead from the thread.

5. Place the servo into the servo tray/ hatch into the servo box on the bottom of the wing and drill 1.5mm pilot holes through the tray and servo box for each of the four mounting screws. Secure the servo tray in place using the mounting screws provided.

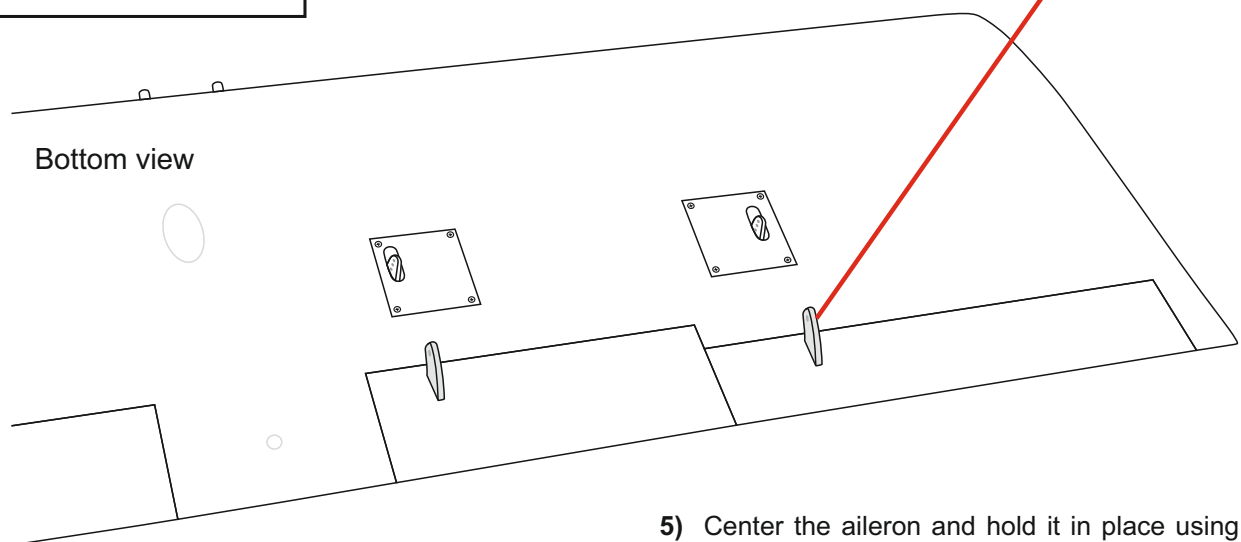
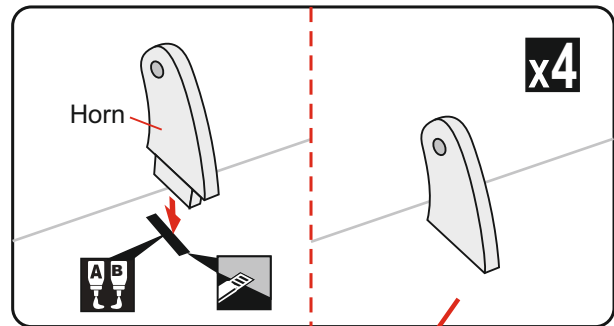
6. Repeat step # 2 - # 5 to install the second aileron servo in the opposite wing half.





INSTALLING THE CONTROL HORNS AND LINKAGES.

M2	---	4
2mm Nut	-----	4
100mm Push rod	--	4
Flaslink	-----	4
Horn	-----	4



1) Working with the aileron linkage for now, thread one nylon clevis at least 14 turns onto one of the 2mm x 180mm threaded wires.

2) Attach the clevis to the outer hole in the control horn. Install a silicone tube on the clevis.

3) Locate one nylon servo arm, and using wire cutters, remove all but one of the arms. Using a 2mm drill bit, enlarge the third hole out from the center of the arm to accommodate the aileron pushrod wire.

4) Plug the aileron servo into the receiver and center the servo. Install the servo arm onto the servo. The servo arm should be perpendicular to the servo and point toward the middle of the wing.

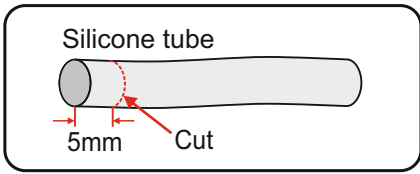
5) Center the aileron and hold it in place using a couple of pieces of masking tape.

6) With the aileron and aileron servo centered, carefully place a mark on the aileron pushrod wire where it crosses the hole in the servo arm.

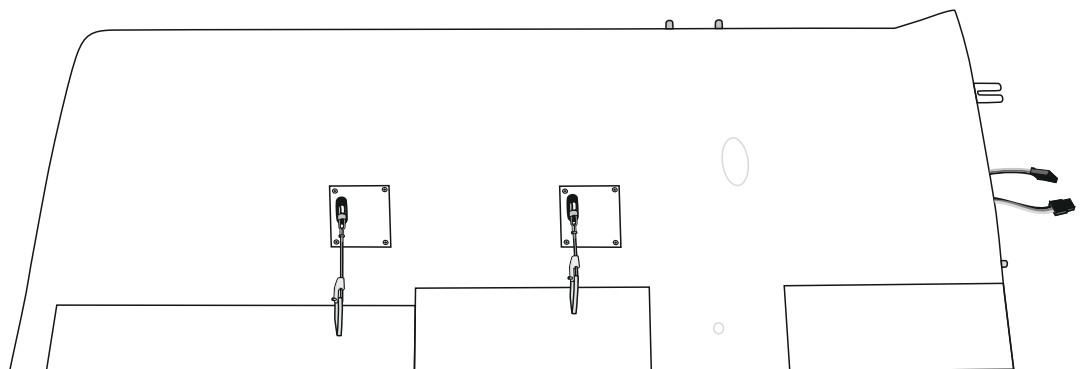
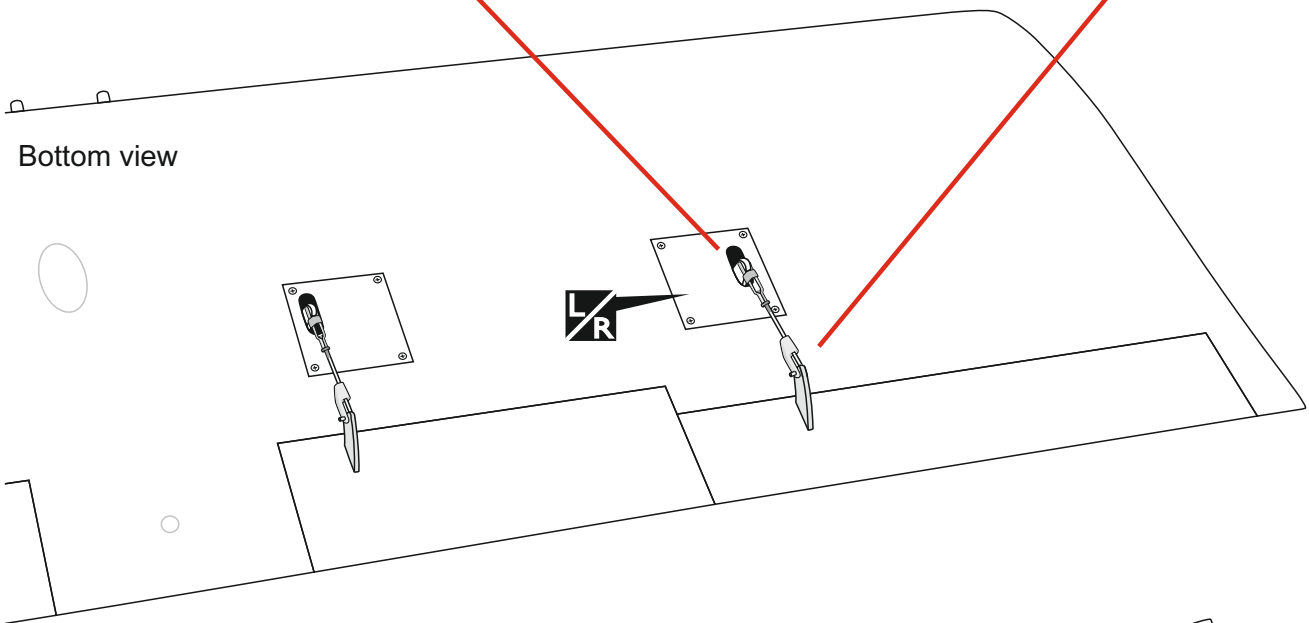
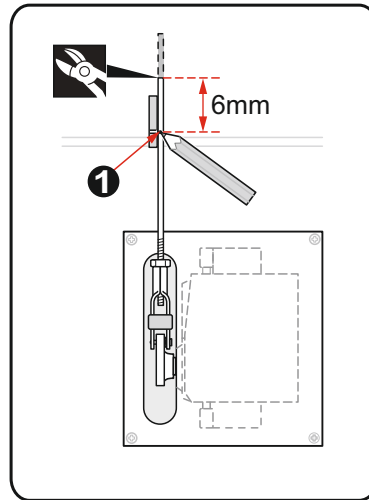
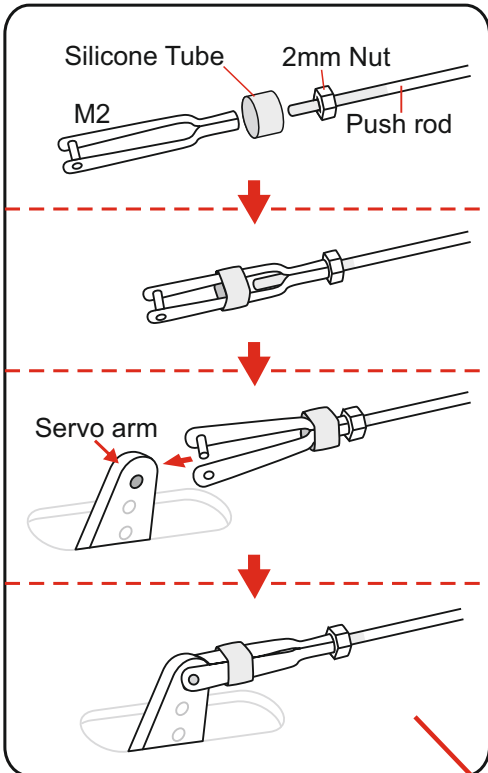
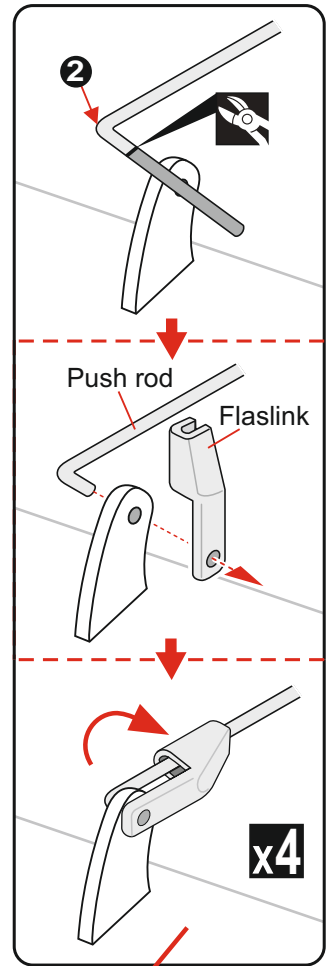
7) Using pliers, carefully make a 90 degree bend down at the mark made. Cut off the excess wire, leaving about 6mm beyond the bend.

8) Insert the 90 degree bend down through the hole in the servo arm. Install one nylon snap keeper over the wire to secure it to the arm. Install the servo arm retaining screw and remove the masking tape from the aileron.

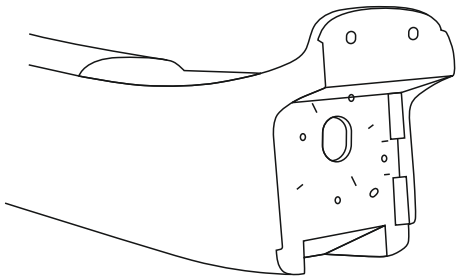
9) Repeat step # 4 - # 8 to install the second aileron linkage. After both linkages are completed, connect both of the aileron servo leads using a Y-harness you have purchased separately.



- 1 Mark the spot to attach
- 2 Bend 90°



INSTALLING THE ENGINE MOUNT



There are two options:

1. Engine mount.
2. Electric motor

OPTION 1: ENGINE INSTALLATION

Installing the engine mount, fuel tank

INSTALLING THE FUEL TANK.

1) The stopper has been pre-assembled at the factory.

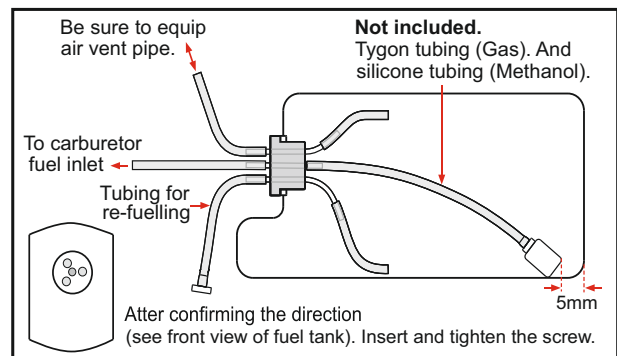
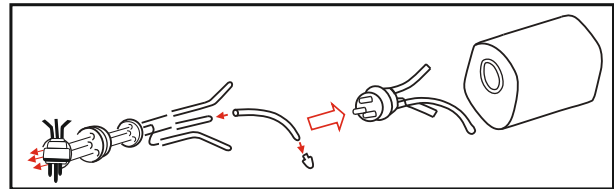
2) Using a modeling knife, cut one length of silicon fuel line (the length of silicon fuel line is calculated by how the weighted clunk should rest about 8mm away from the rear of the tank and move freely inside the tank). Connect one end of the line to the weighted clunk and the other end to the nylon pickup tube in the stopper.

3) Carefully bend the second nylon tube up at a 45 degree angle (using a cigarette lighter). This tube will be the vent tube to the muffler.

4) Carefully bend the third nylon tube down at a 45 degree angle (using a cigarette lighter). This tube will be vent tube to the fueling valve.



When the stopper assembly is installed in the tank, the top of the vent tube should rest just below the top surface of the tank. It should not touch the top of the tank.



5) Test fit the stopper assembly into the tank. It may be necessary to remove some of the flashing around the tank opening using a modeling knife. If flashing is present, make sure none of it falls into the tank.

6) When satisfied with the alignment of the stopper assembly tighten the 3mm x 20mm machine screw until the rubber stopper expands and seals the tank opening. Do not over tighten the assembly as this could cause the tank to split.

7) Using a modeling knife, cut 3 lengths of fuel line. Connect 2 lines to the 2 vent tubes and 1 line to the fuel pickup tube in the stopper.

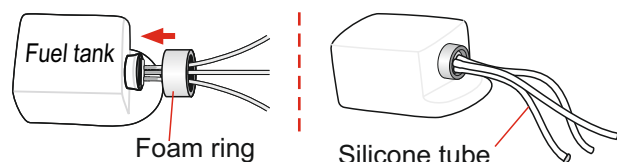
8) Feed three lines through the fuel tank compartment and through the pre-drilled hole in the firewall. Pull the lines out from behind the engine, while guiding the fuel tank into place. Push the fuel tank as far forward as possible, the front of the tank should just about touch the back of the firewall.

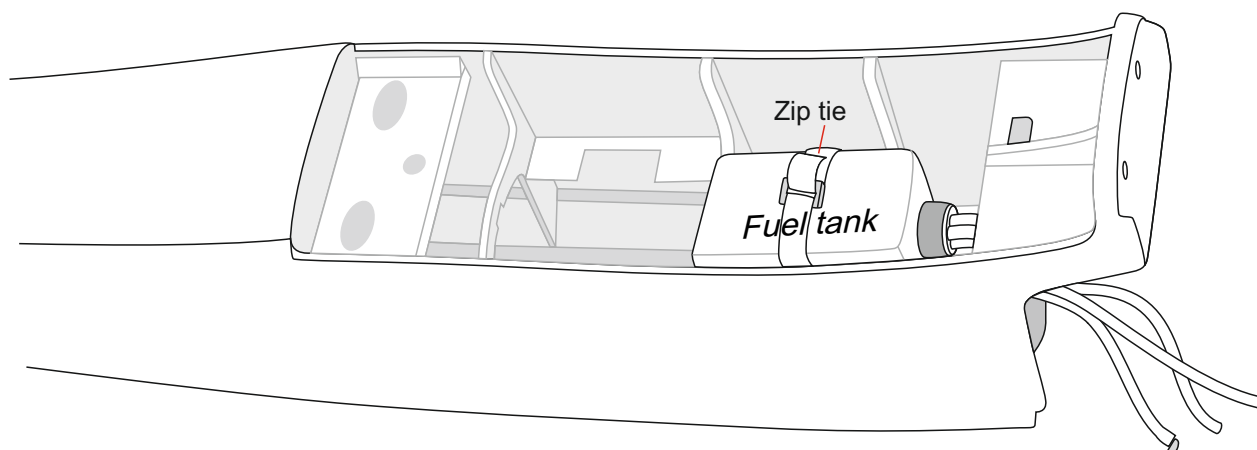
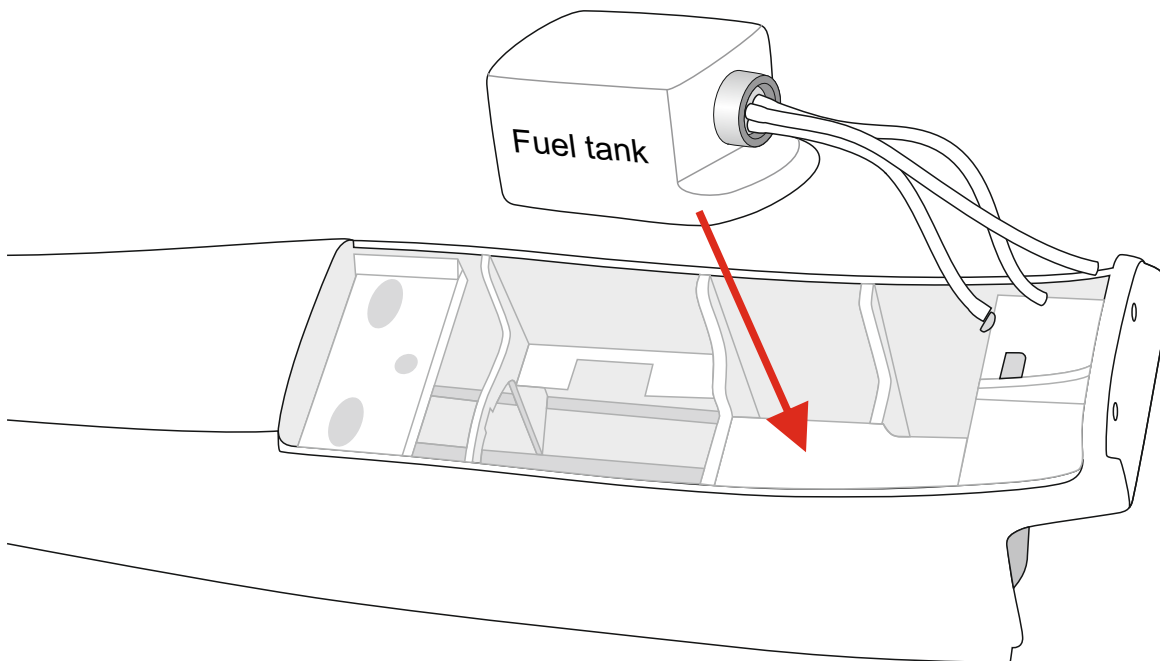
Blow through one of the lines to ensure the fuel lines have not become kinked inside the fuel tank compartment. Air should flow through easily.




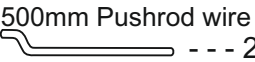
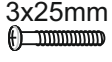
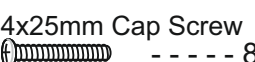

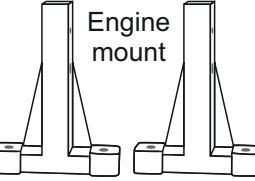
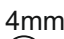

Do not secure the tank into place permanently until after balancing the airplane. You may need to remove the tank to mount the battery in the fuel tank compartment.

9) Secure the fuel tank.

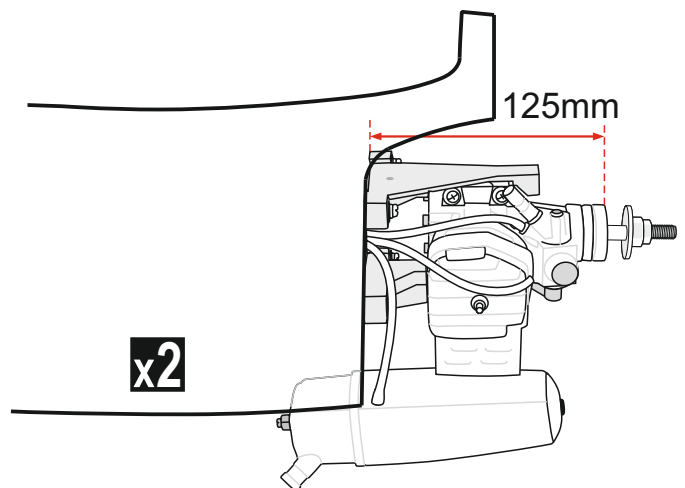
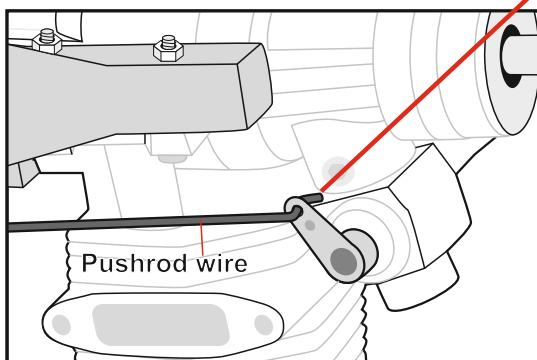
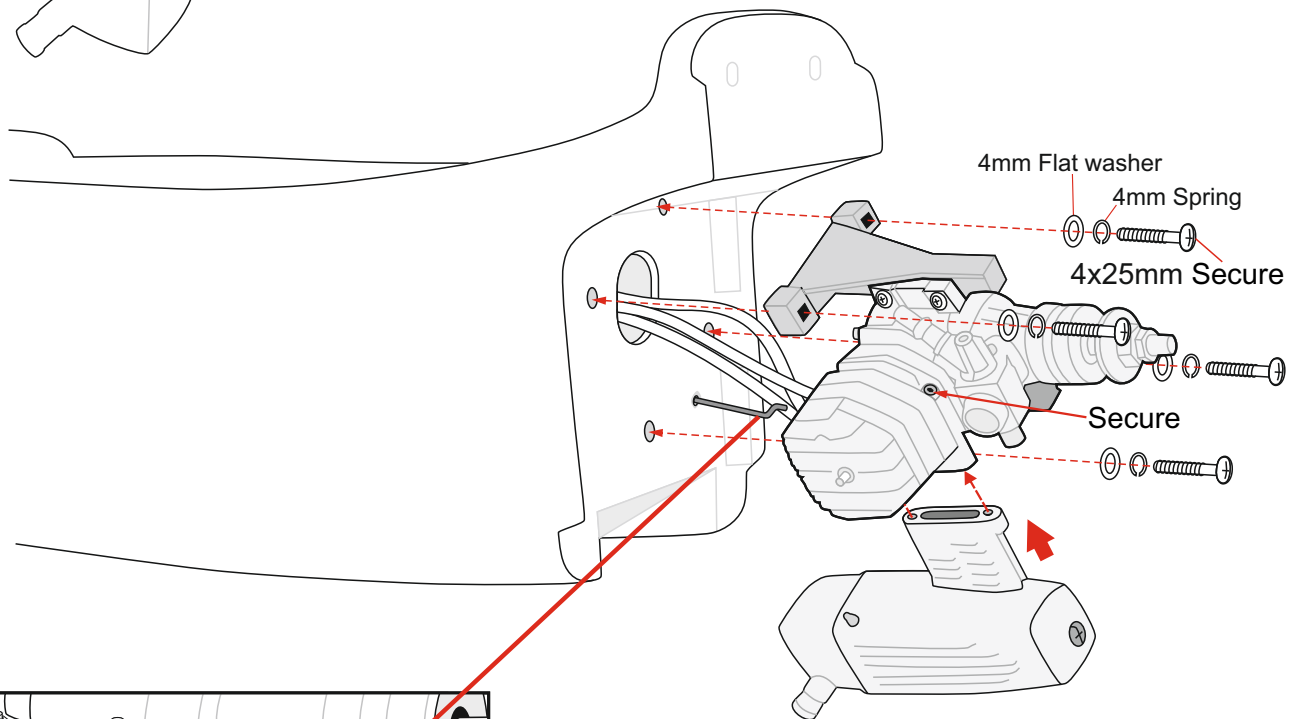
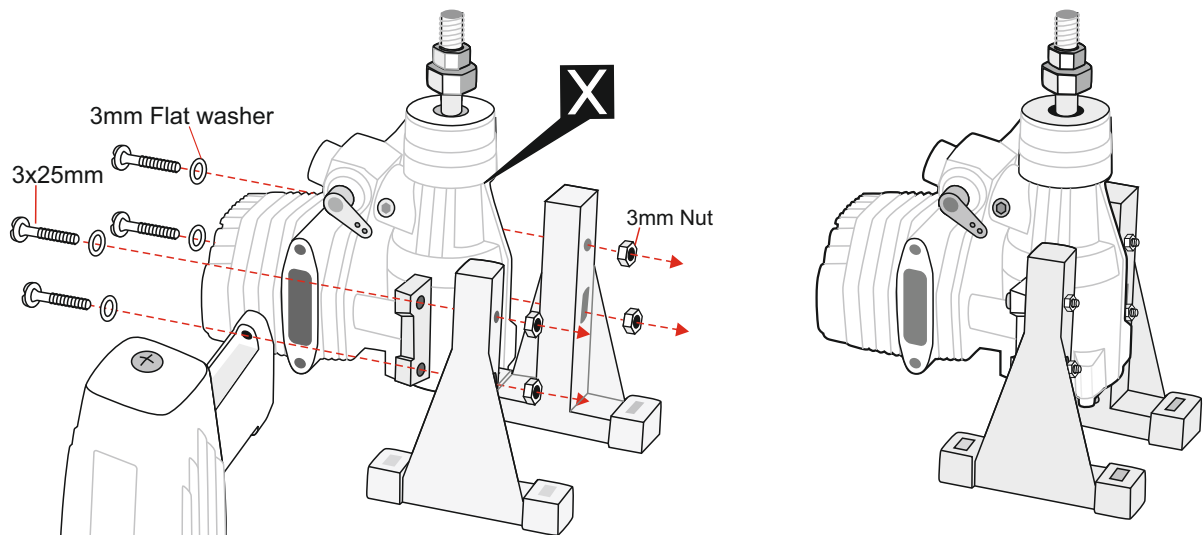




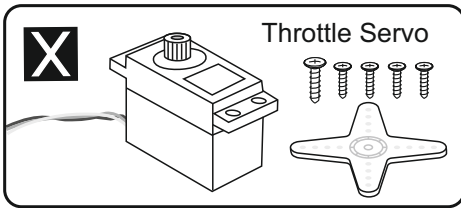
INSTALLING THE ENGINE.

 3mm Nut -- 8	 500mm Pushrod wire --- 2
 3x25mm Cap Screw ----- 8	 4x25mm Cap Screw ----- 8
 3mm Flat washer ----- 8	 Engine mount
 4mm Flat washer ----- 8	
 4mm Spring Washer ----- 8	

* Locate the long piece of wire used for the throttle pushrod. One end of the wire has been pre-bend in to a "Z" bend at the factory. This "Z" bend should be inserted into the throttle arm of the engine when the engine is fitted onto the engine mount. Fit the engine to the engine mount using the screws provided.



INSTALLING THE THROTTLE



1) Install one adjustable metal connector through the third hole out from the center of one servo arm, enlarge the hole in the servo arm using a 2mm drill bit to accommodate the servo connector. Remove the excess material from the arm.

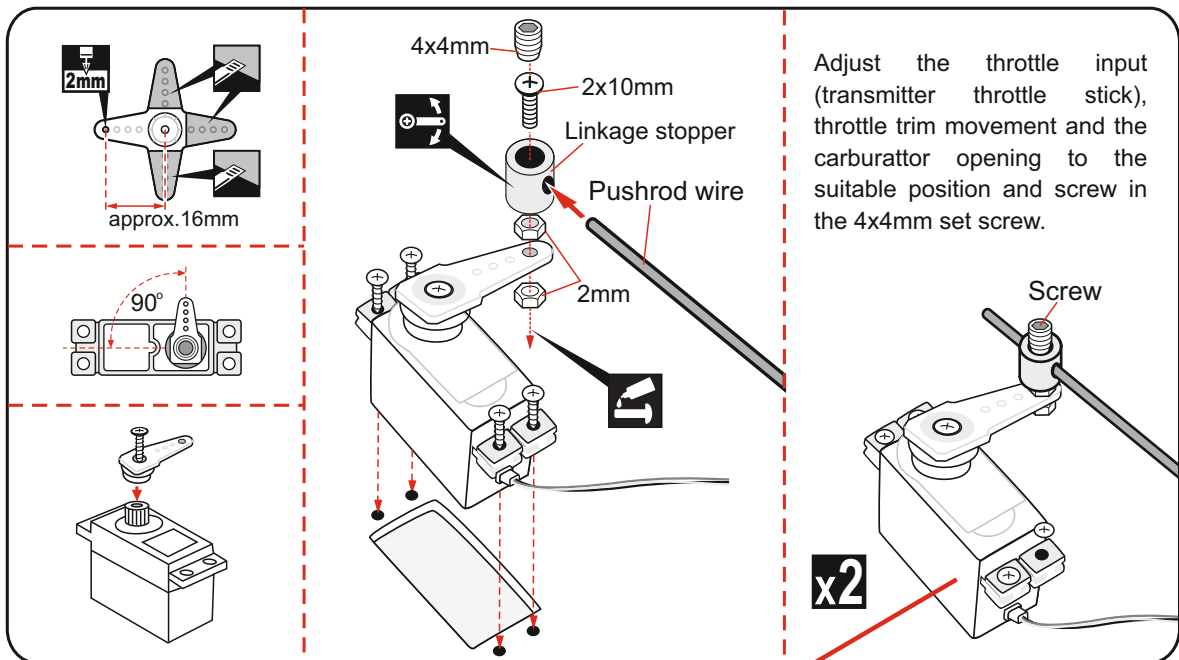
! After installing the adjustable metal connector apply a small drop of thin C/A to the bottom nut. This will prevent the connector from loosening during flight.

2) Plug the throttle servo into the receiver and turn on the radio system. Check to ensure that the throttle servo output shaft is moving in the correct direction. When the throttle stick is moved forward from idle to full throttle, the throttle barrel should also open and close using this motion. If not, reverse the direction of the servo, using the transmitter.

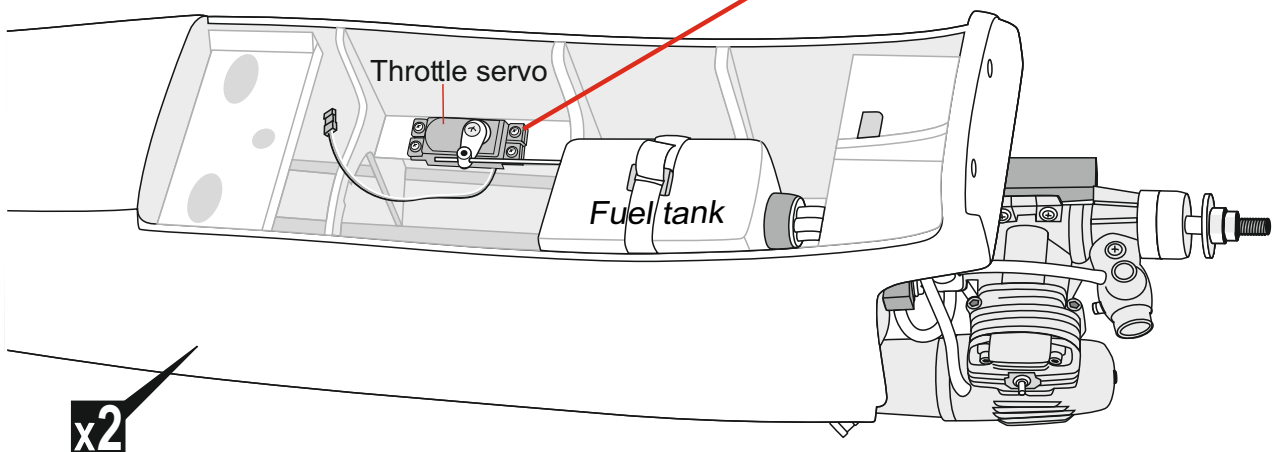
3) Slide the adjustable metal connector / servo arm assembly over the plain end of the pushrod wire. Position the throttle stick and the throttle trim at their lowest positions.

4) Manually push the carburetor barrel fully closed. Angle the arm back about 45 degree from center and attach the servo arm onto the servo. With the carburetor barrel fully closed, tighten the set screw in the adjustable metal connector.

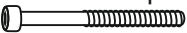

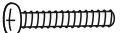
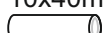

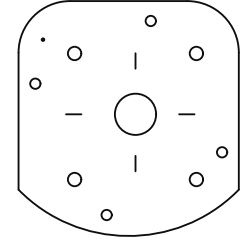



5) Remove the excess throttle pushrod wire using wire cutters and install the servo arm retaining screw.

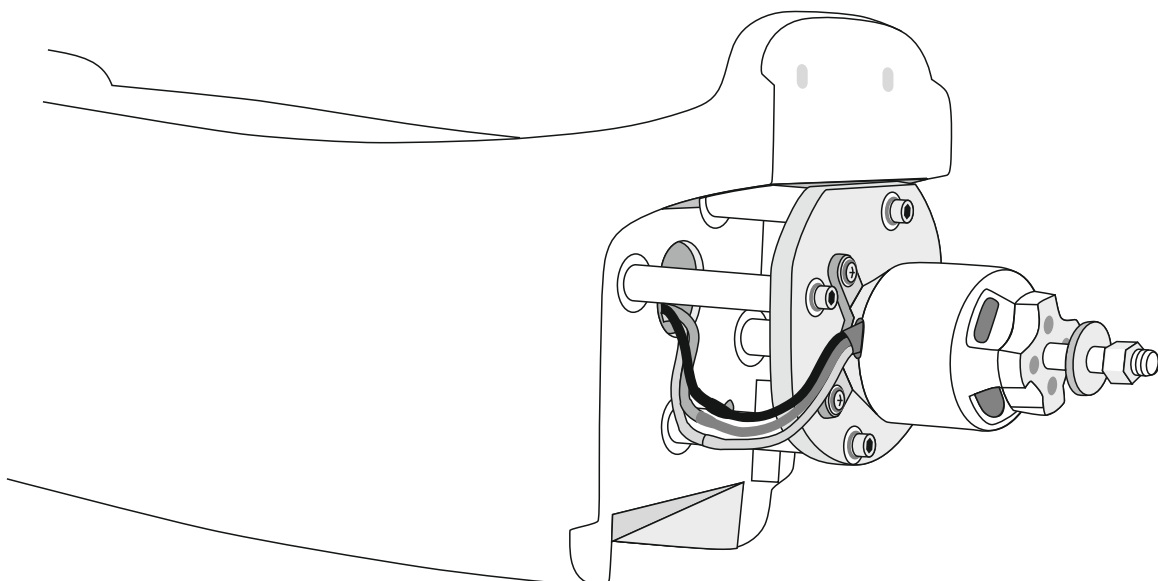
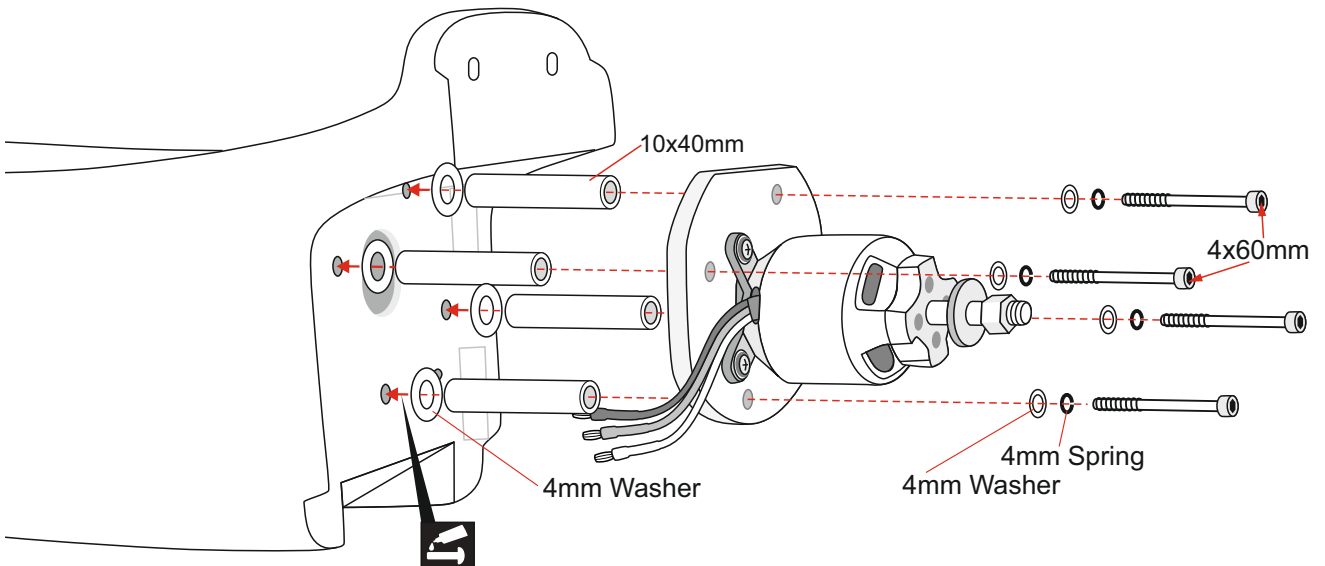
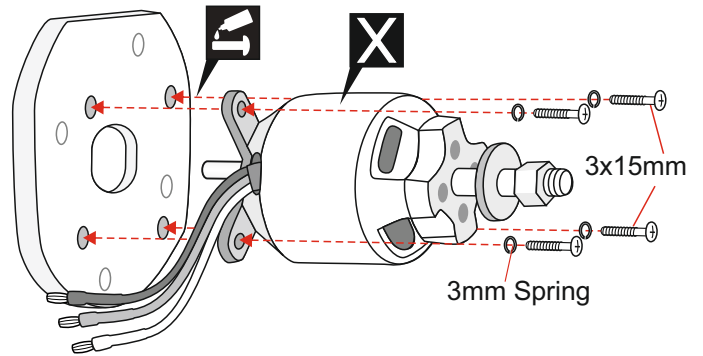
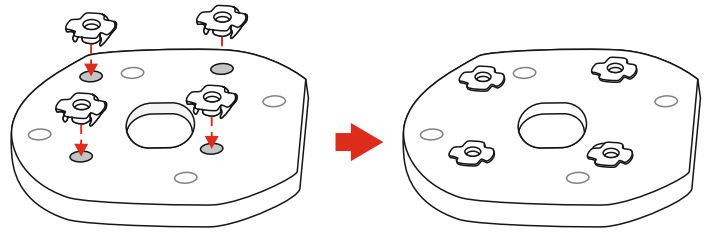


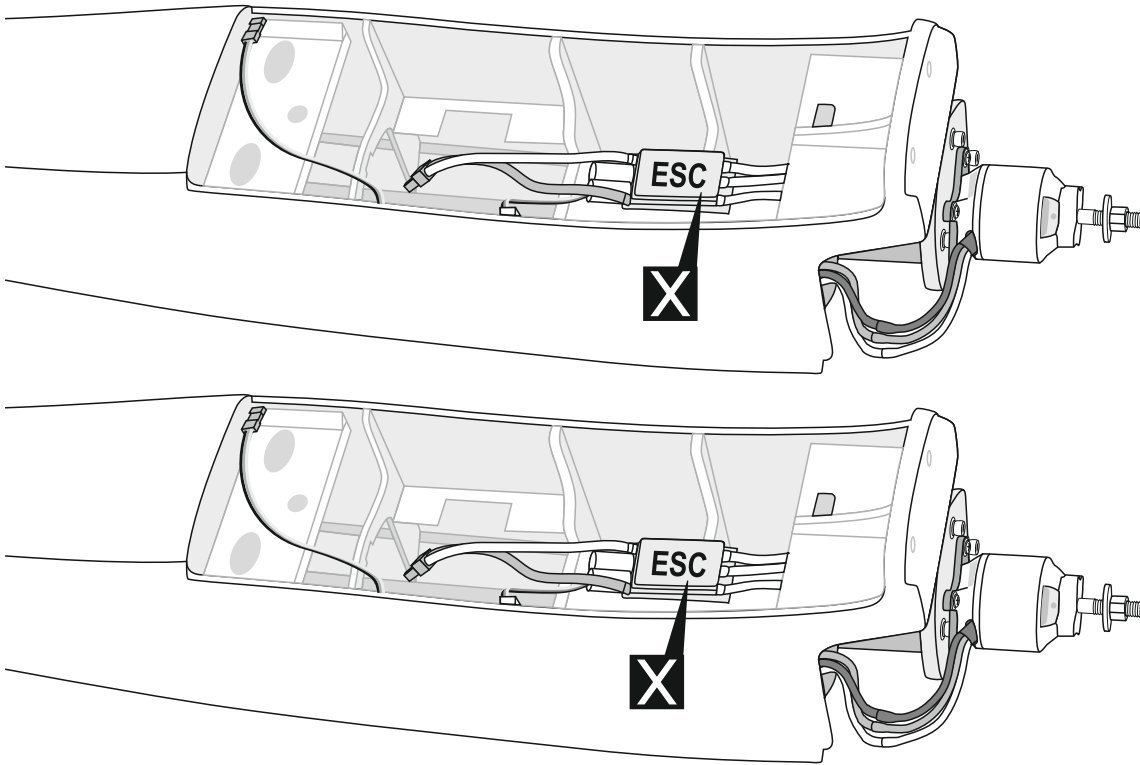
Adjust the throttle input (transmitter throttle stick), throttle trim movement and the carburetor opening to the suitable position and screw in the 4x4mm set screw.



OPTION 2: INSTALLING THE ELECTRIC MOTOR (EP VERSION)

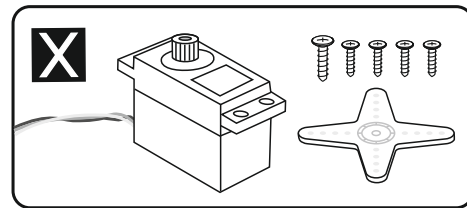
4x60mm Cap Screw  --- 8	Mount Nut  --- 8
3x15mm Cap Screw  --- 8	10x40mm Aluminum  --- 8
4mm Washer  --- 8	
4mm Washer  --- 8	
4mm Spring Washer  --- 8	
3mm Spring Washer  --- 8	



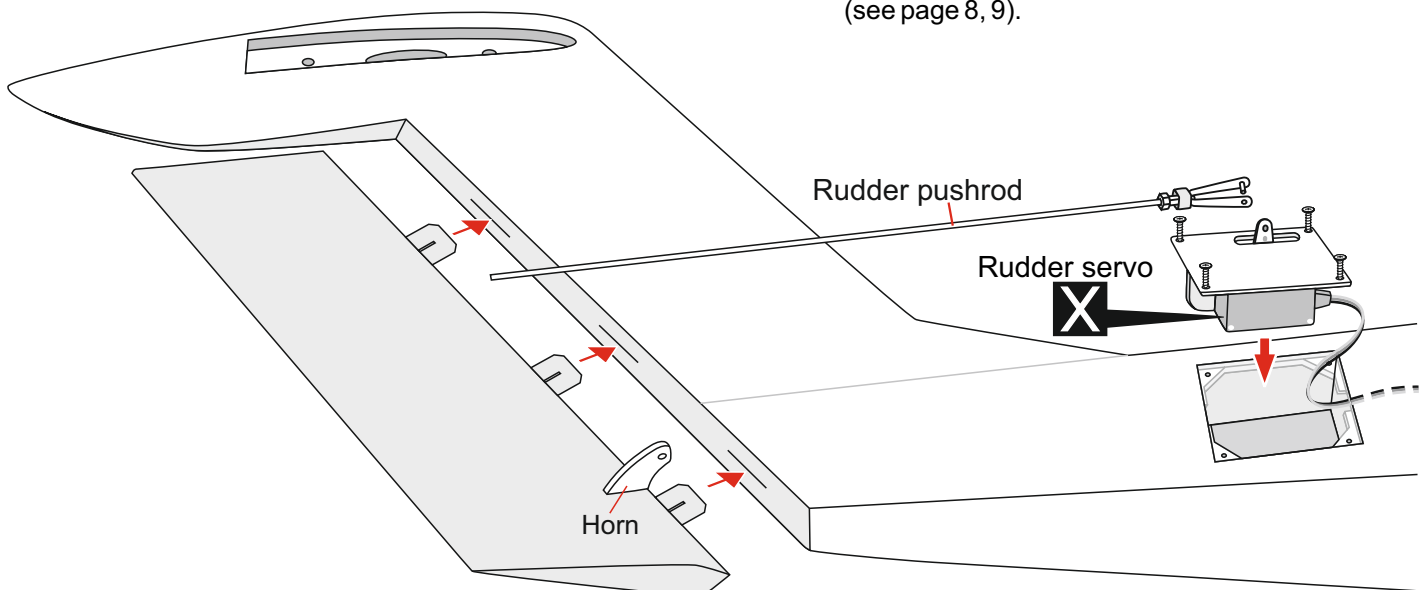


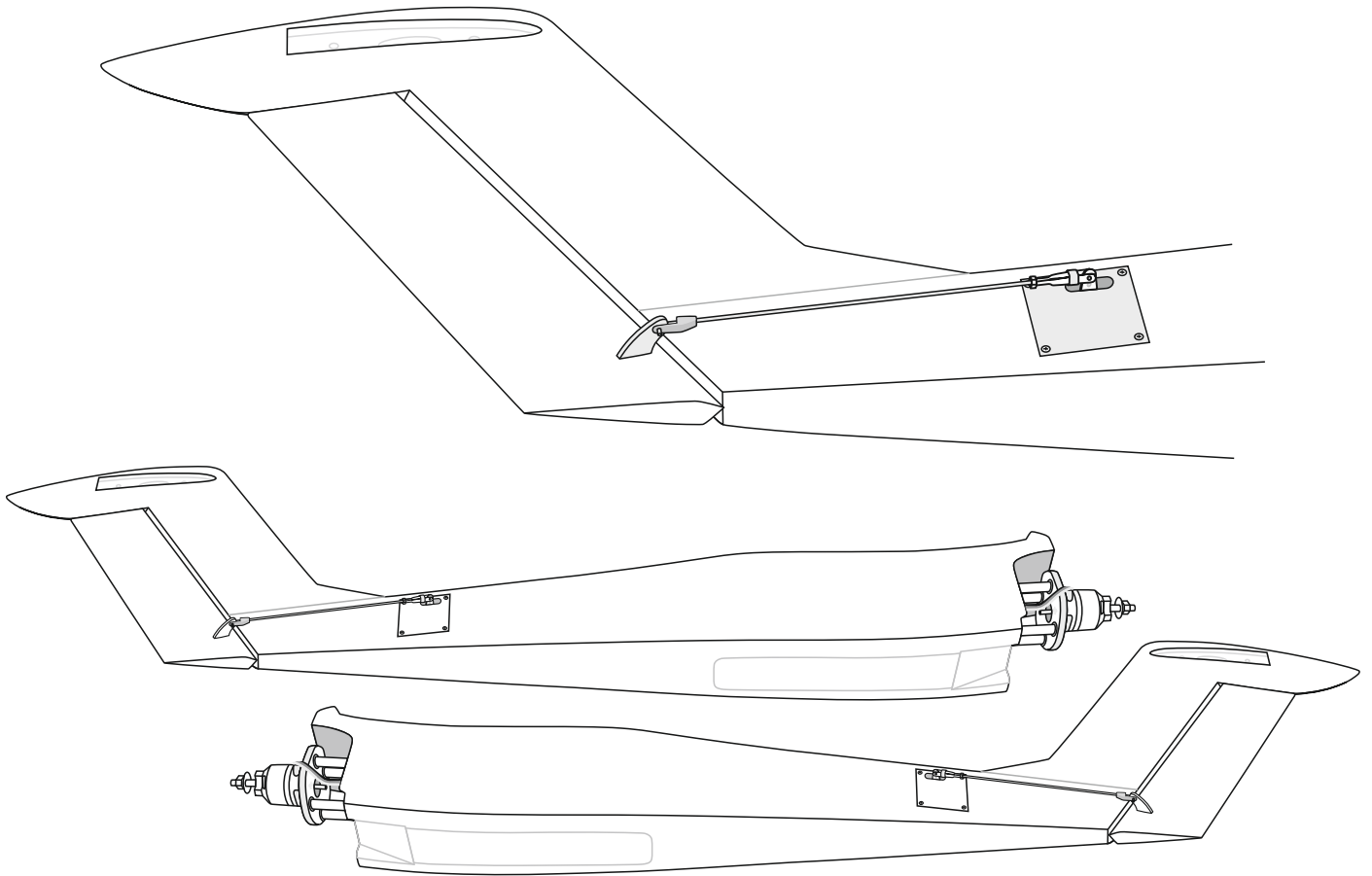
RUDDER INSTALLATION

M2	---	2	Flaslink	---	2
2mm Nut	---	2	Horn	---	2
300mm Push rod	---	2	2 x 10mm Screw	---	8

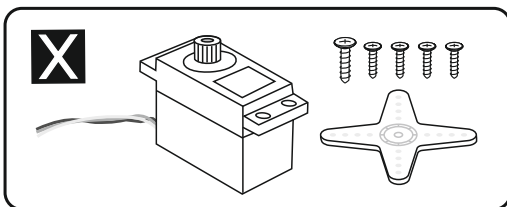


- 1) Hinges and servo for Rudder are glued the same way as the aileron before (see page 6, 7).
- 2) Control horn and linkages for Rudder are installed the same way as the aileron before (see page 8, 9).





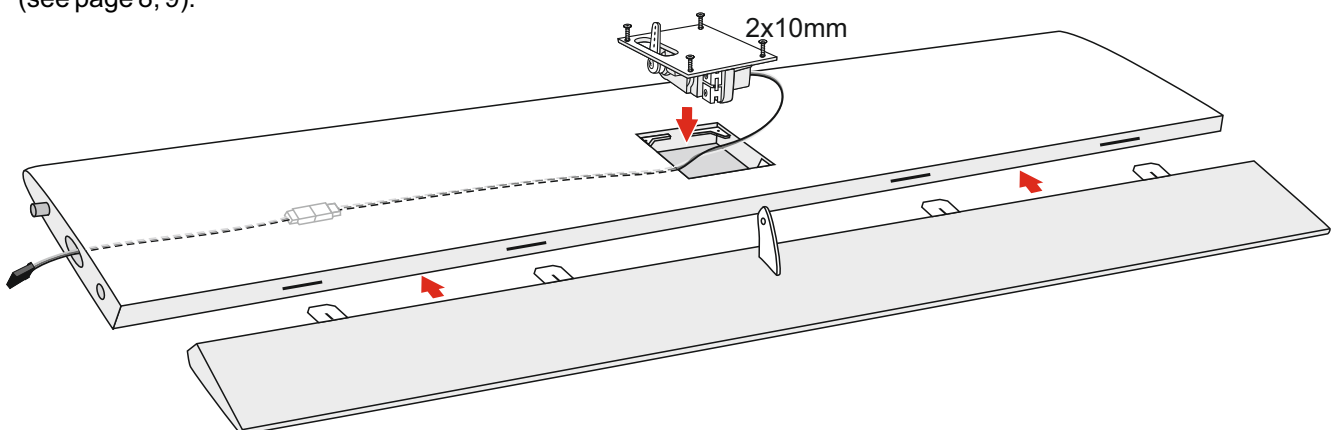
INSTALLING HORIZONTAL STABILIZER

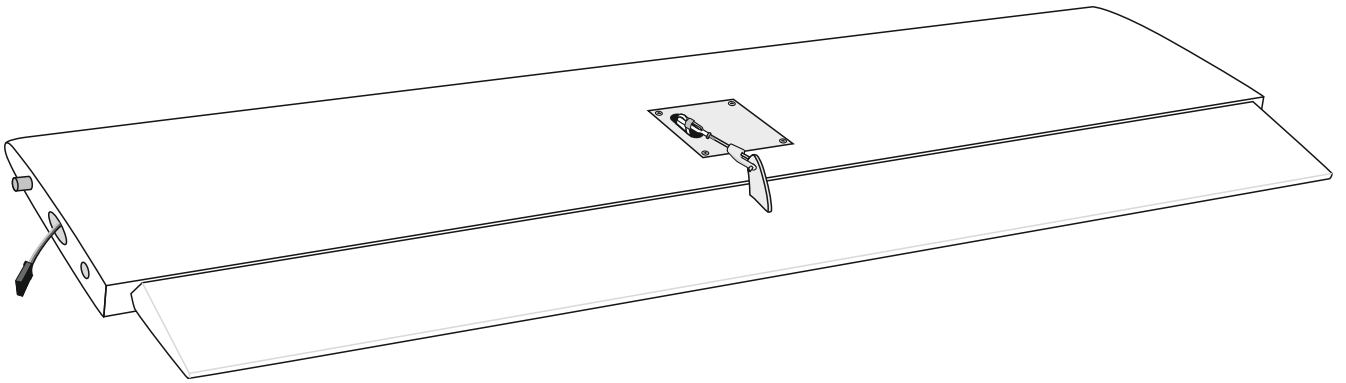


M2	---	1	Flaslink	---	1
2mm Nut	---	1	Horn	---	1
100mm Push rod	---	1	2x10mm Screw	---	4

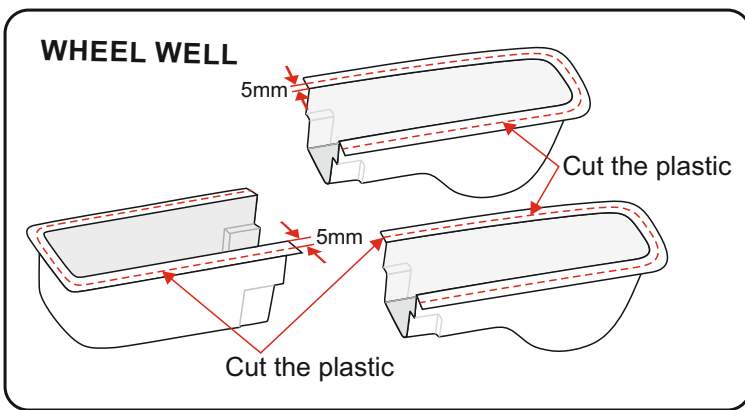
1) Hinges and servo for Elevator are glued the same way as the aileron before (see page 6, 7).

2) Control horn and linkages for Elevator are installed the same way as the aileron before (see page 8, 9).

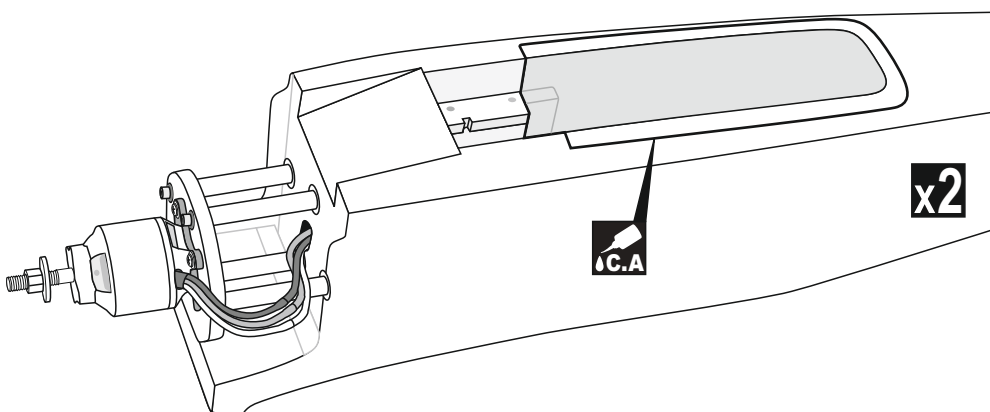
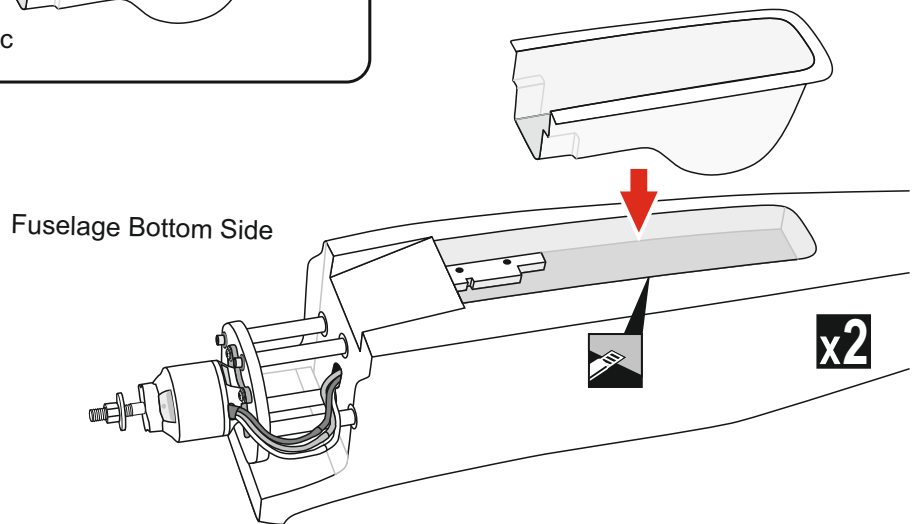




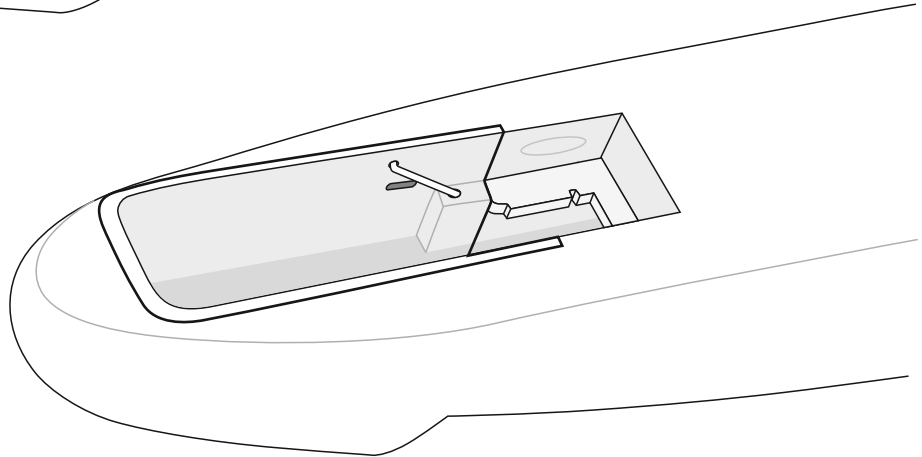
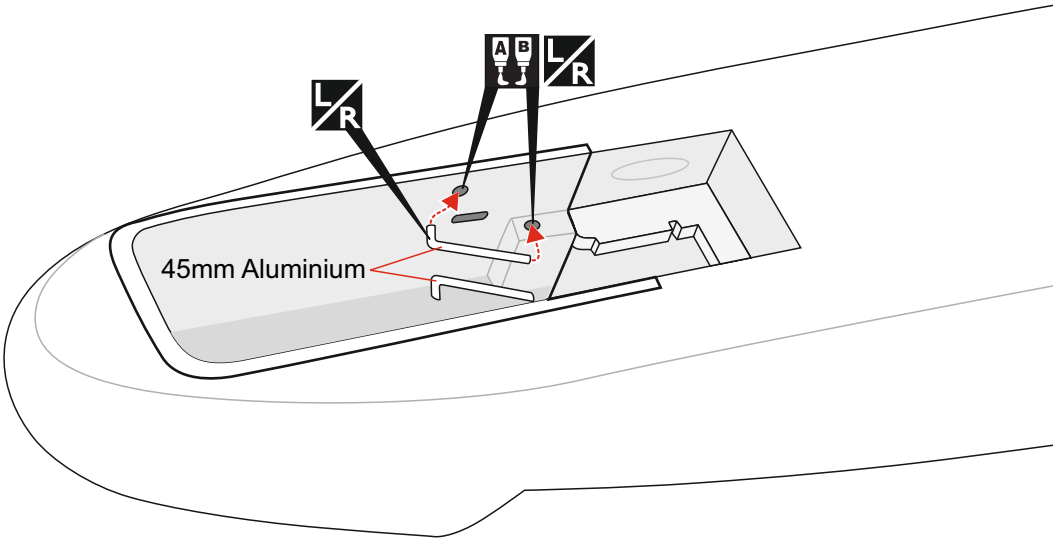
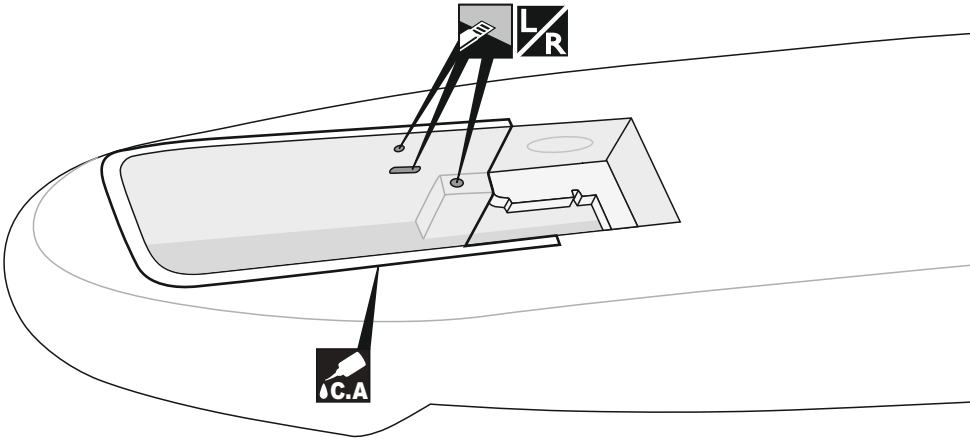
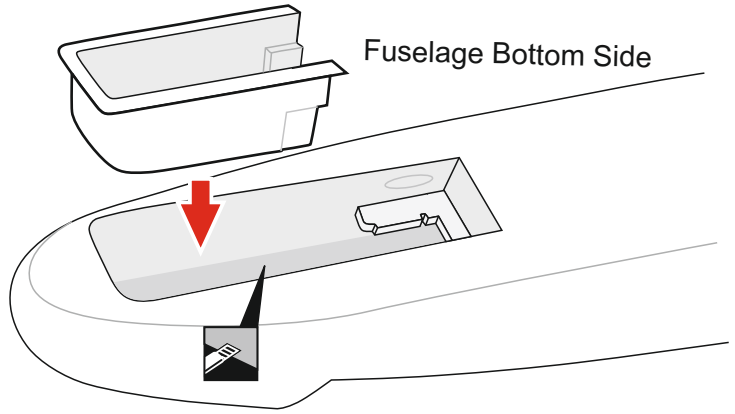
INSTALLING THE WHEEL WELL



* Using a modeling knife, carefully remove the film covering from the fuselage gear tray. Make sure that you do not remove any wood.



45mm Aluminium
----- 2

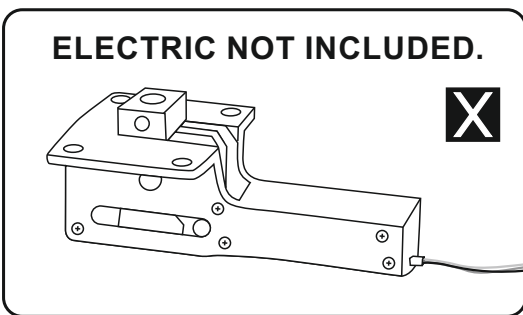


INSTALLING MAIN GEAR.

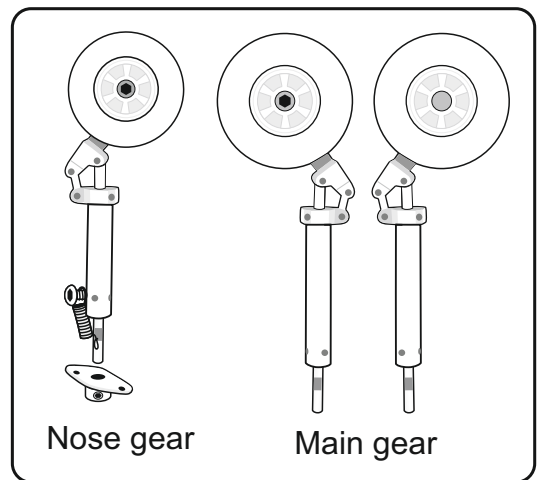
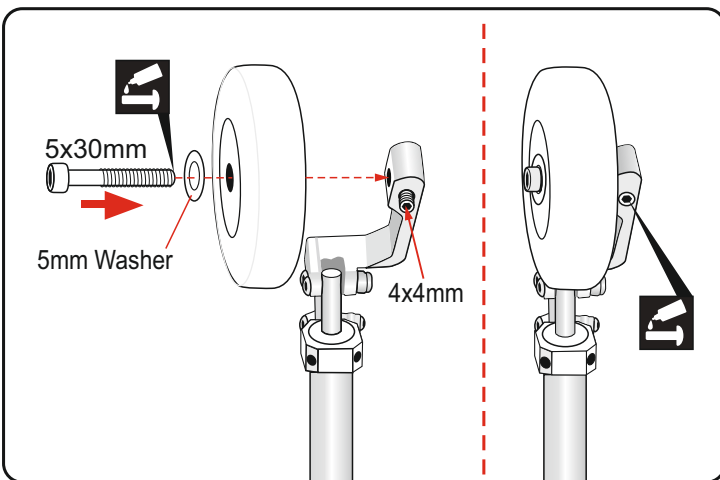
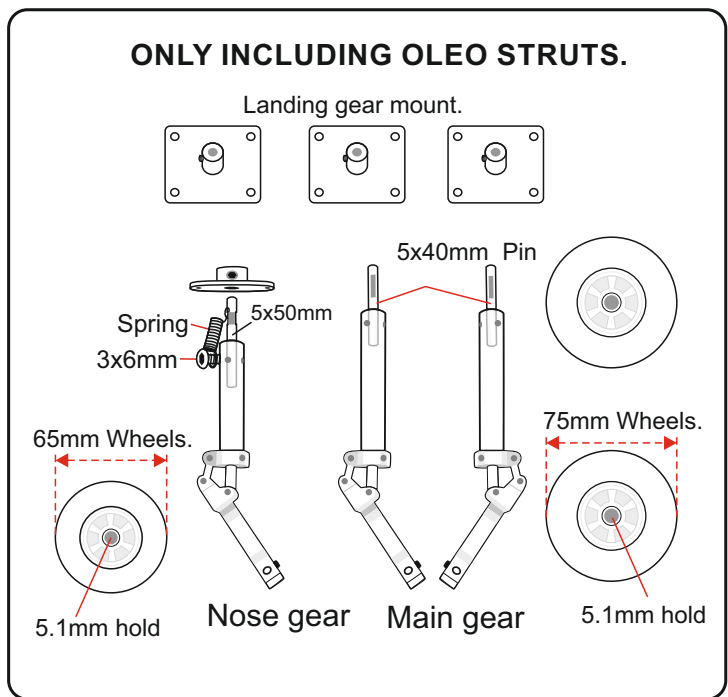
Wir empfehlen den Einbau unseres Elektrischen Einziehfahrwerks das Sie unter der Bestellnummer C7211 und C7212 bestellen können unter www.shop.pichler.de

We recommend installing our electric retract gear which have the order number C7211 and C7212 from our webstore at www.shop.pichler.de

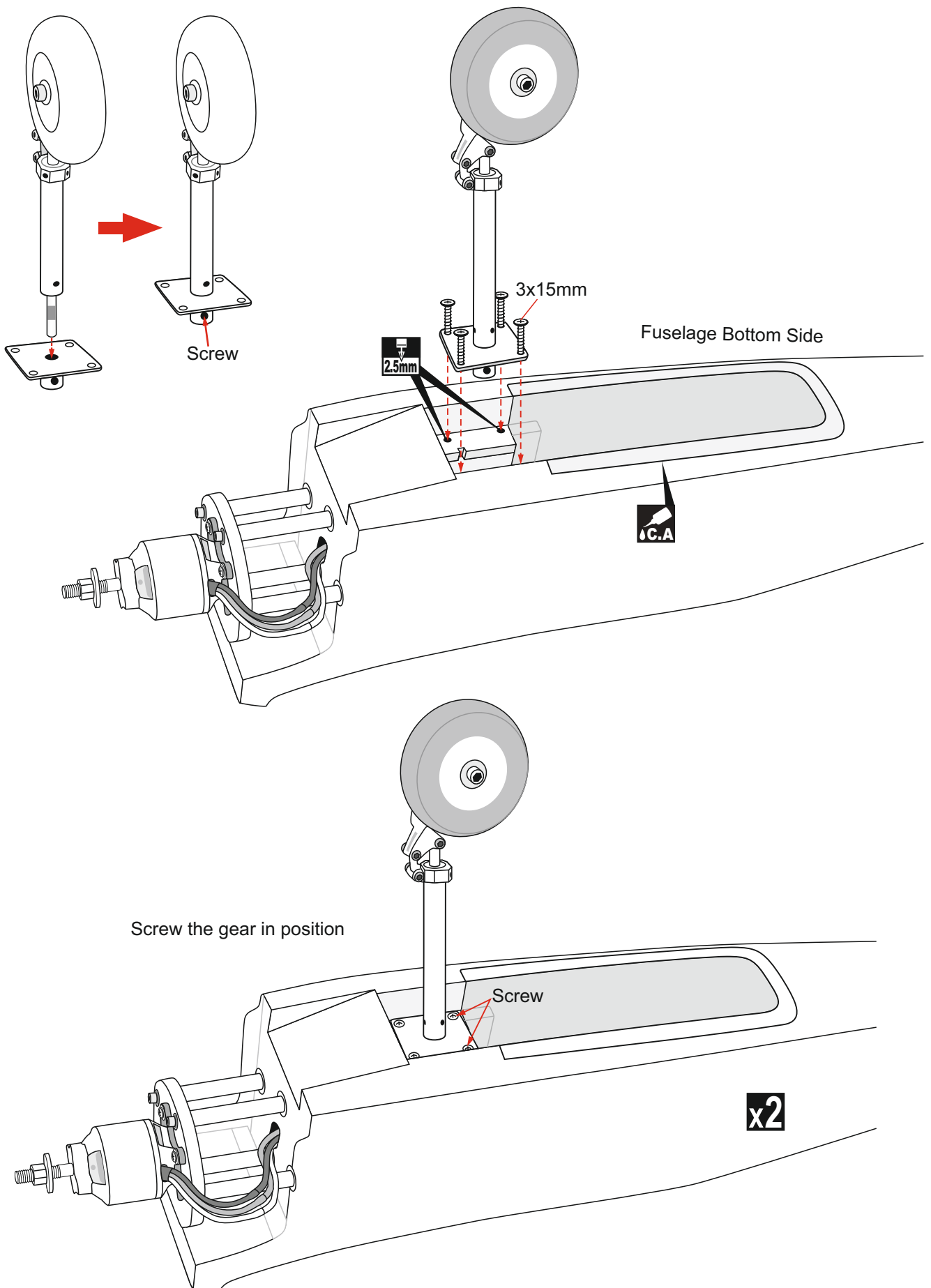
C7211 + # C7212
Elektrisches Einziehfahrwerk
Electric Power Retract Kit



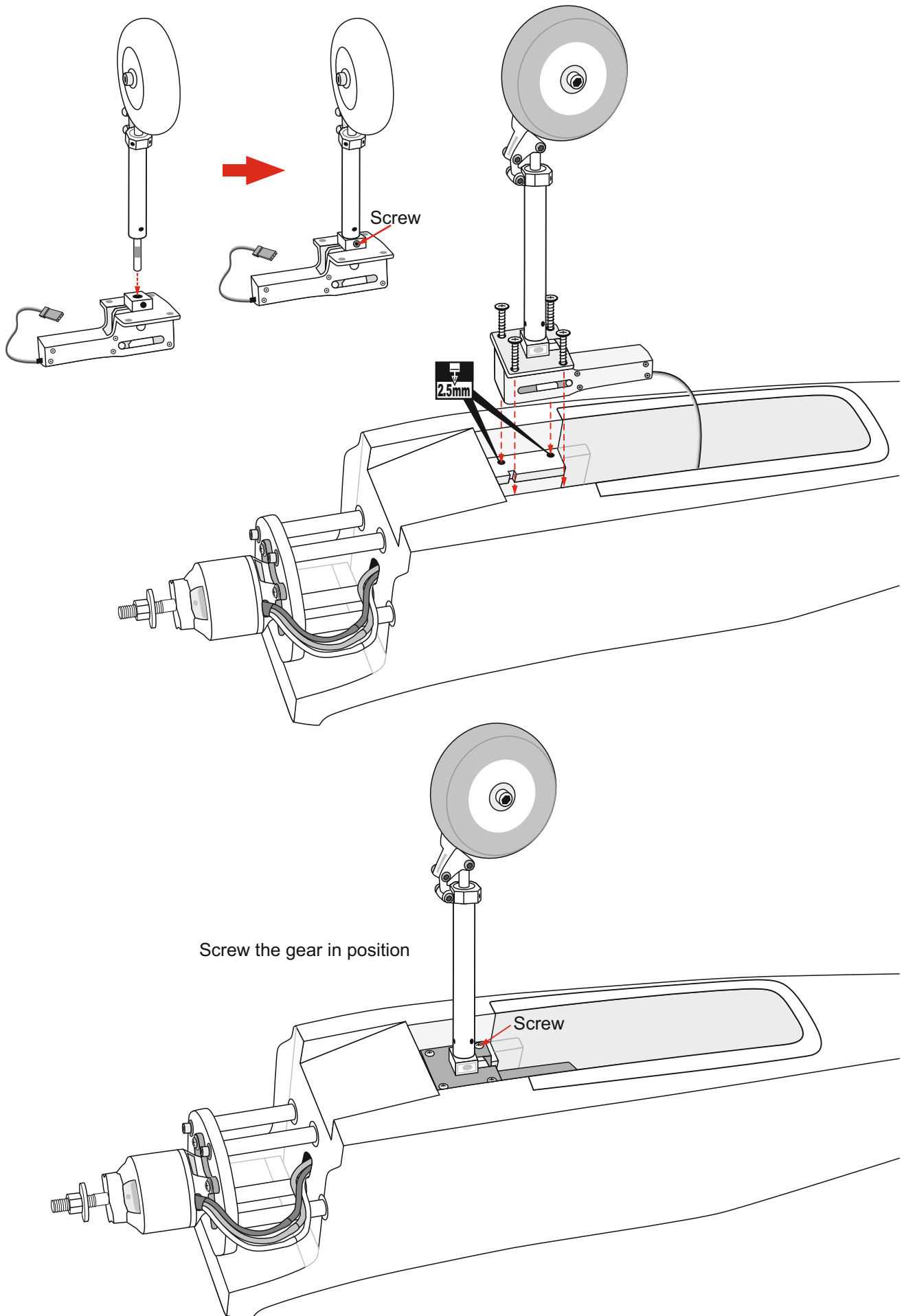
3x15mm Screw	-----	4
5x30mm Cap Screw	-----	12
5mm Washer	-----	3
3x6mm Button Screw	-----	1
Cab link	-----	2
M3	-----	2
350mm Cable	-----	2
3mm Nut	-----	2

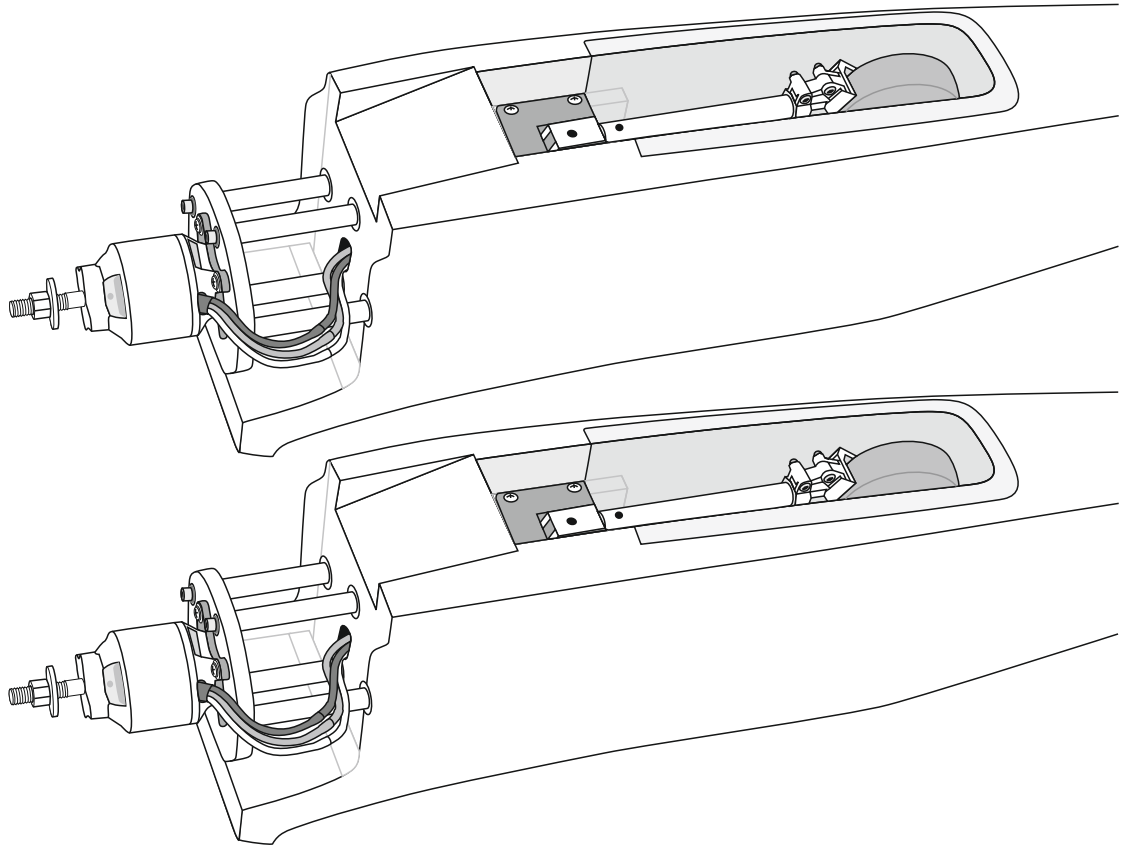


THERE ARE TWO OPTIONS:
OPTION 1: MAIN GEAR STRUTS



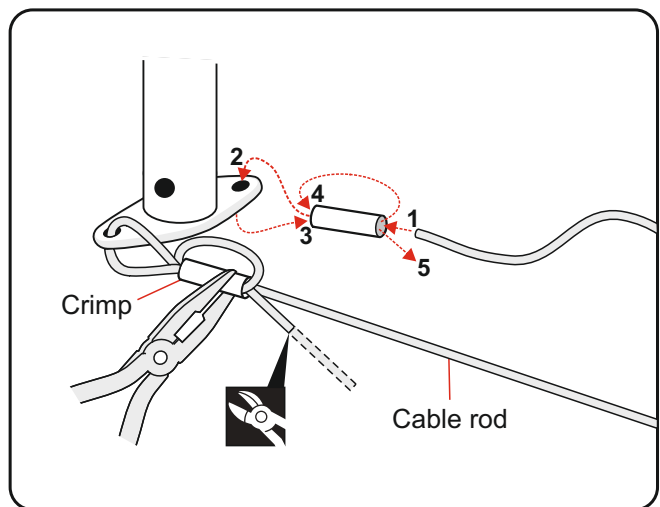
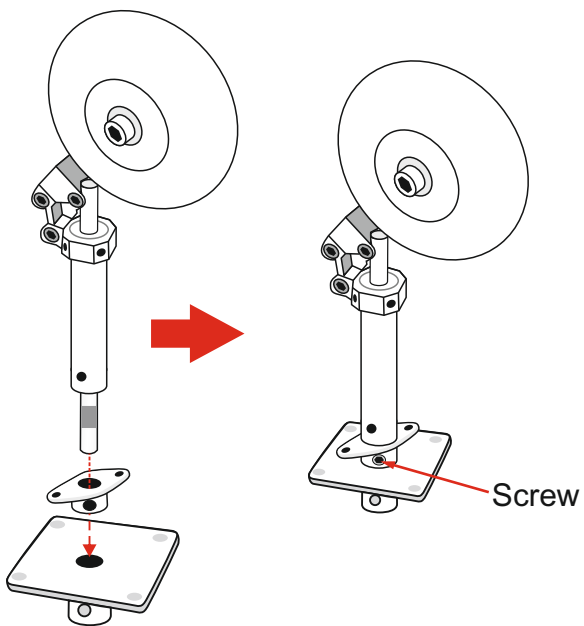
OPTION 2: ELECTRIC GEAR RETRACTS



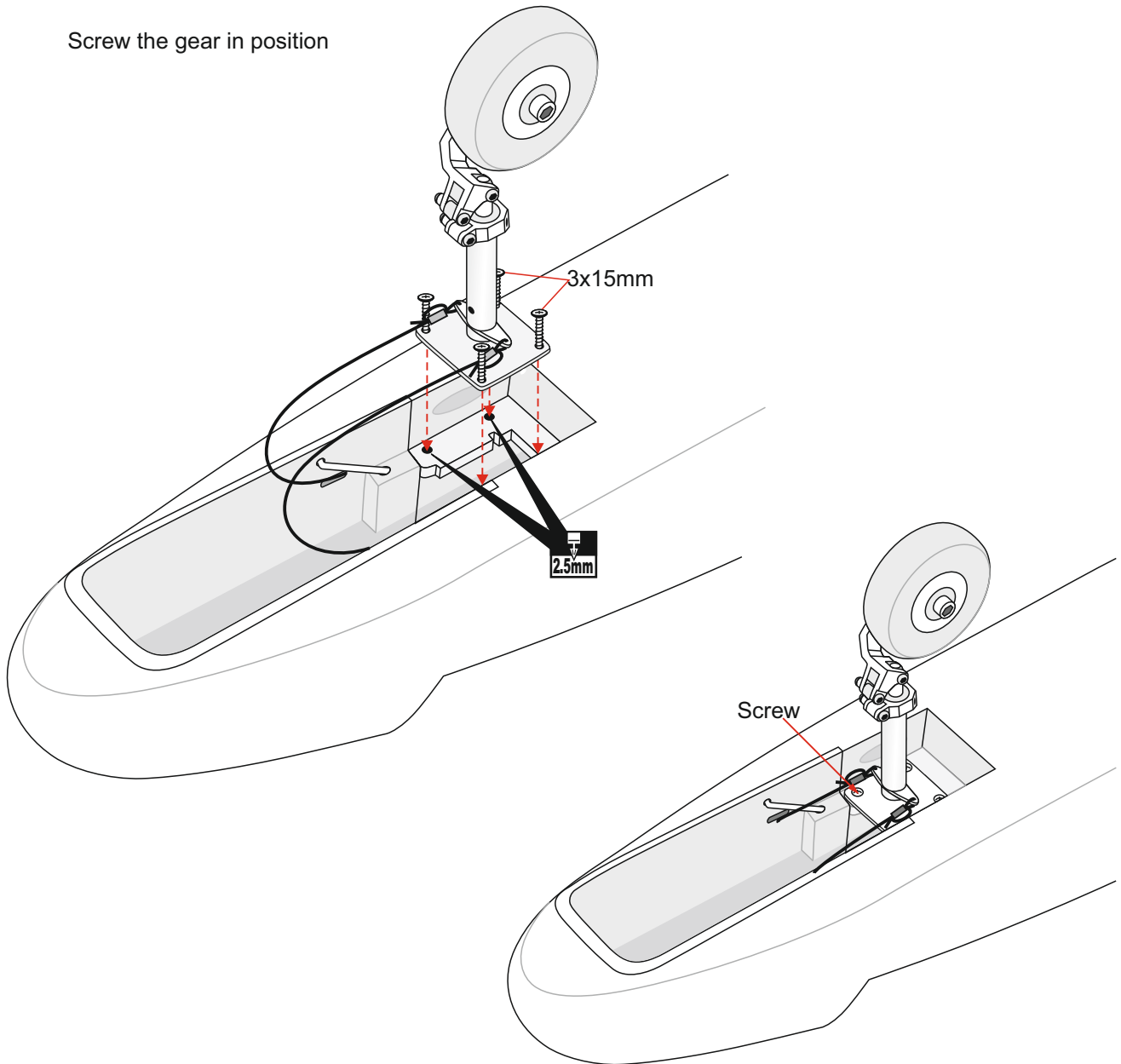


INSTALLING THE NOSE GEAR

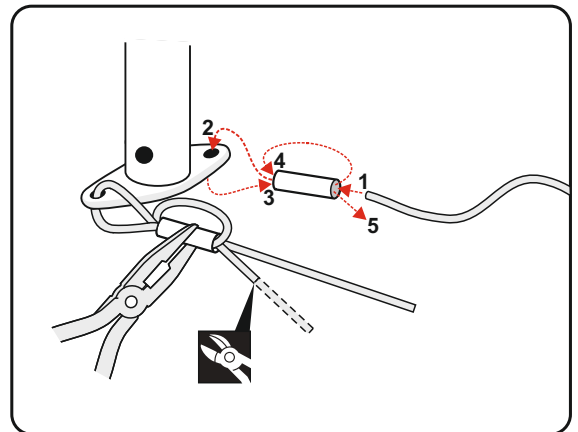
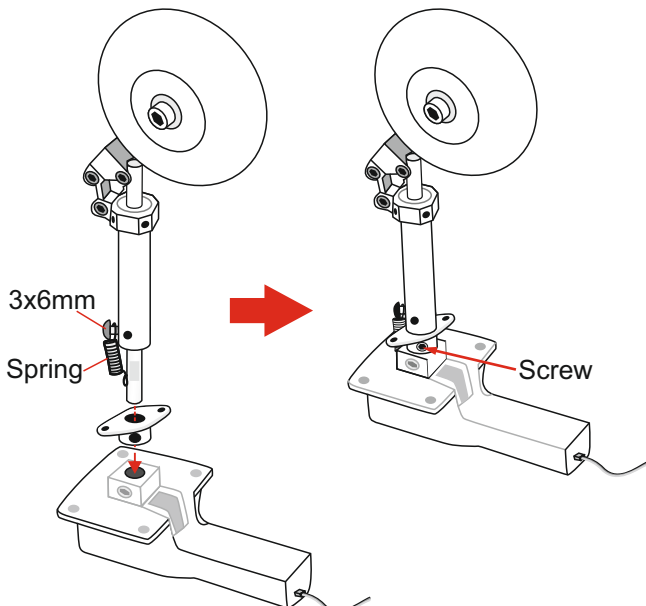
OPTION 1: NOSE GEAR STRUT

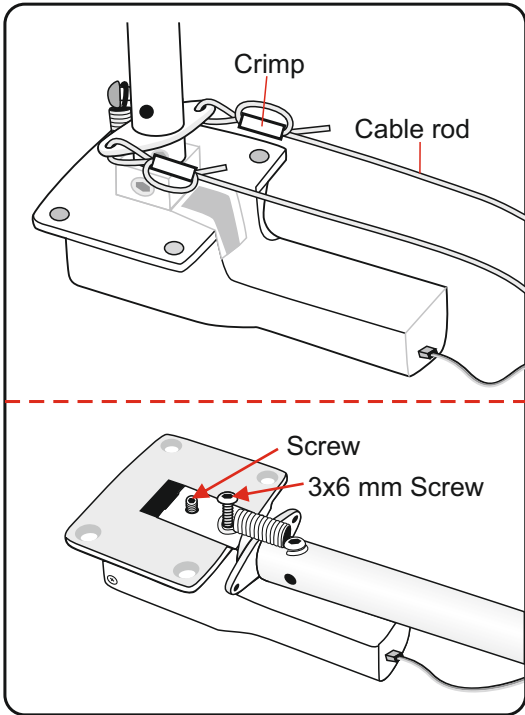


Screw the gear in position

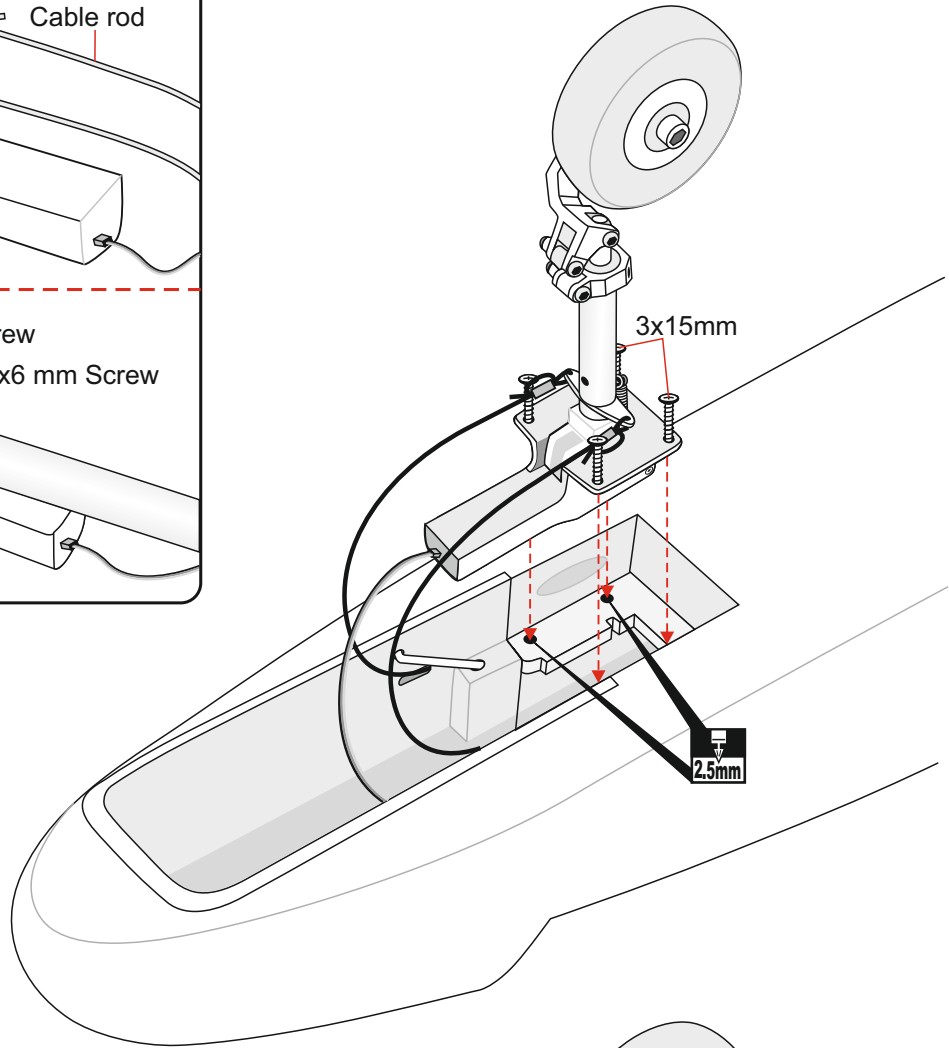


OPTION 2: ELECTRIC GEAR RETRACTS

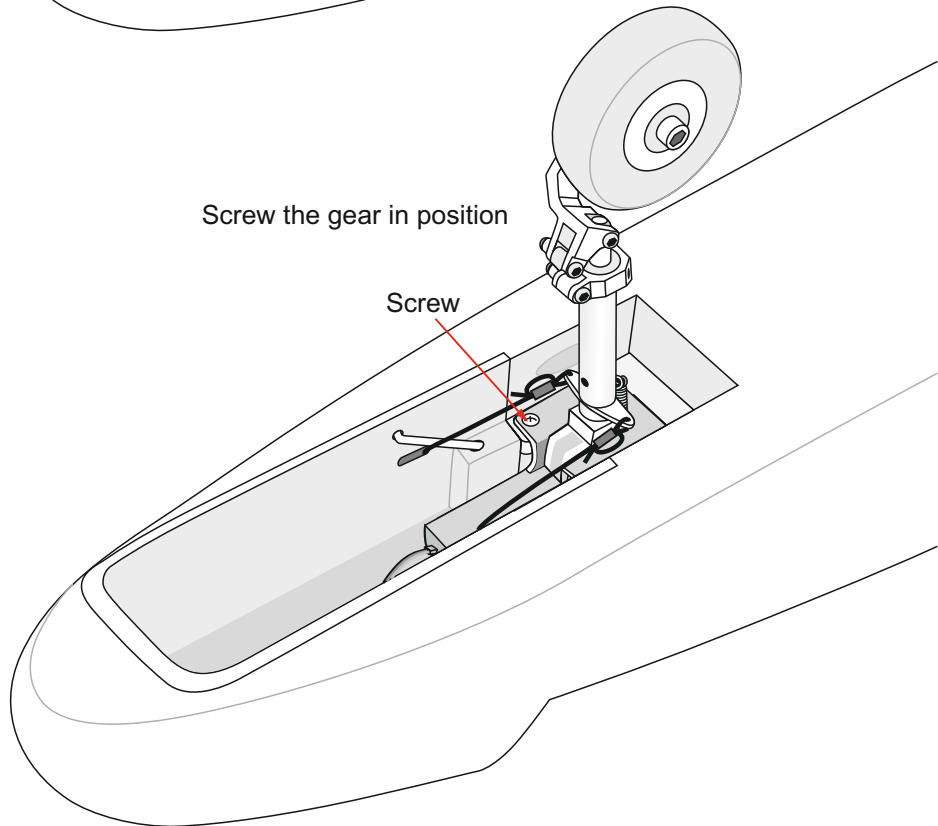


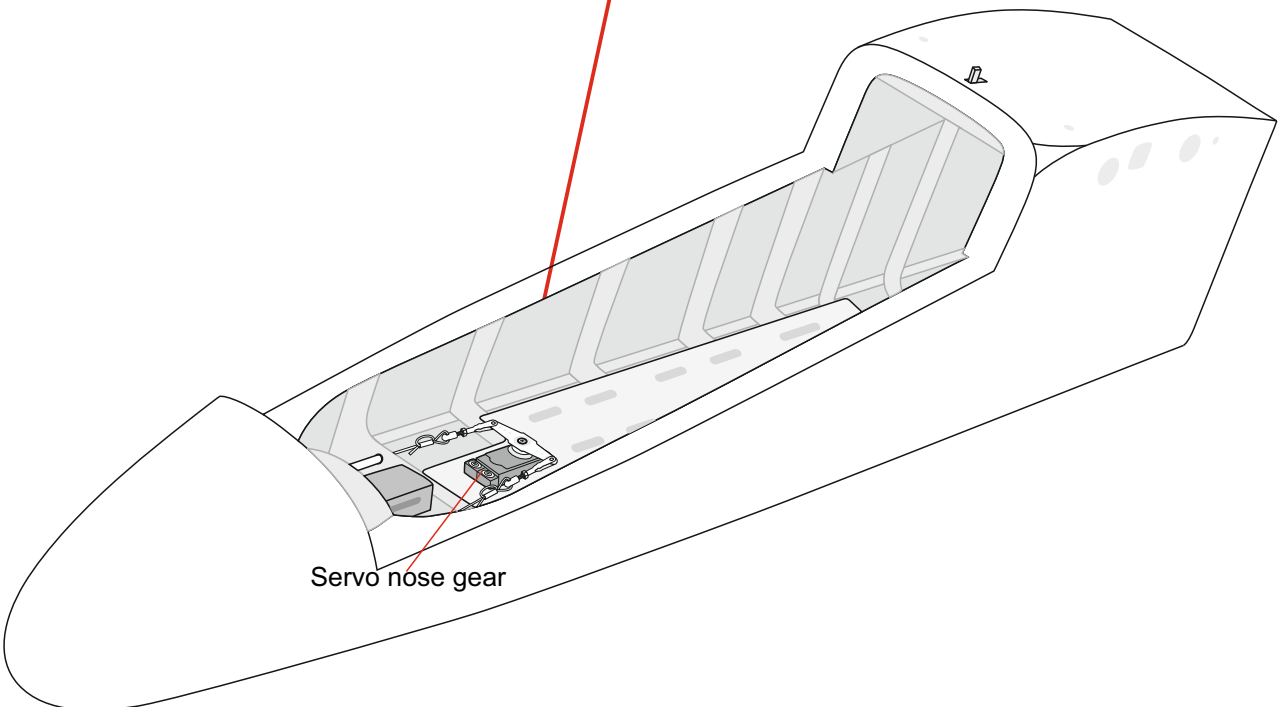
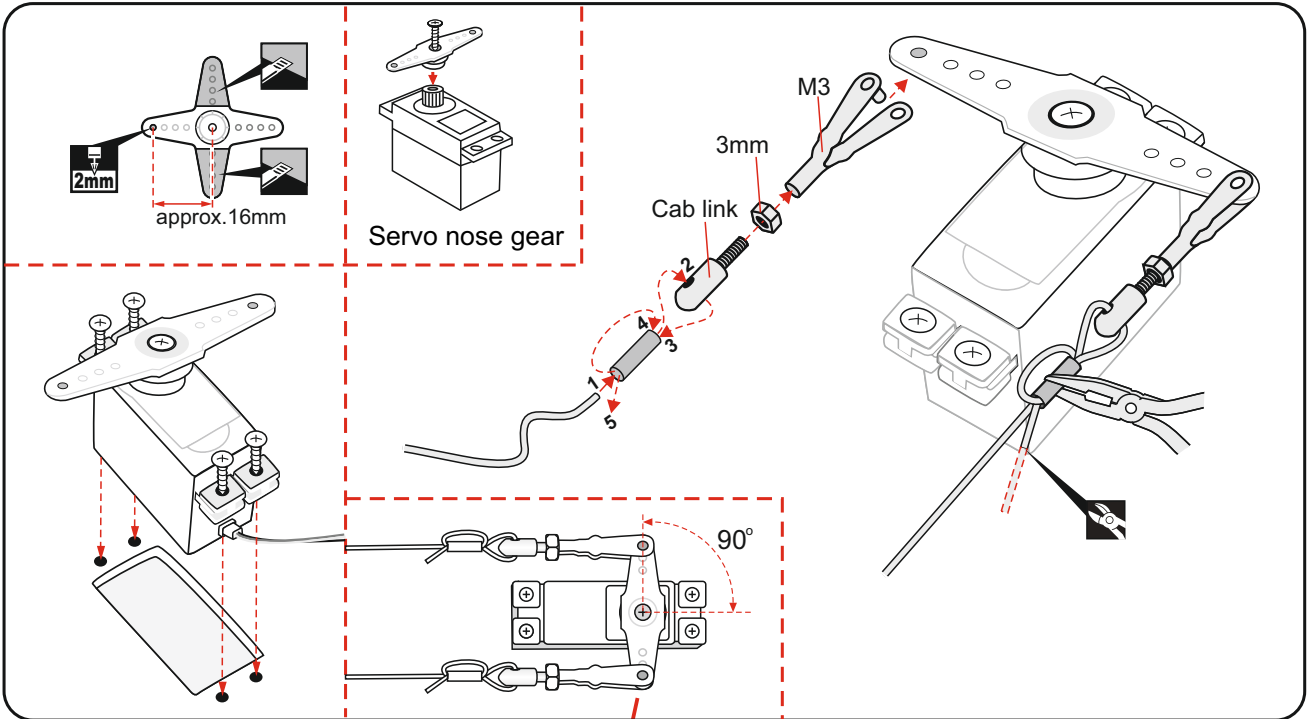
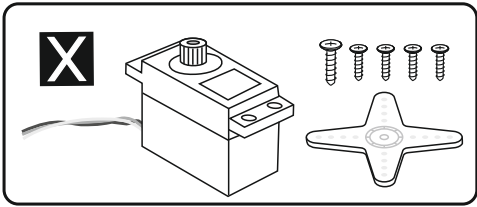


Screw the gear in position



Screw the gear in position





MOUNTING THE COWL


1) Remove the muffler and needle valve assembly from the engine. Slide the fiberglass cowl over the engine.

2) Measure and mark the locations to be cut out for engine head clearance, needle valve, muffler. Remove the cowl and make these cutouts using a rotary tool with a cutting disc and a rotary sanding drum attachment.

3) Slide the cowl back into place. Align the front of the cowl with the crankshaft of the engine. The front of the cowl should be positioned so the crankshaft is in the middle of the precut opening. Hold the cowl firmly in place using several pieces of masking tape.

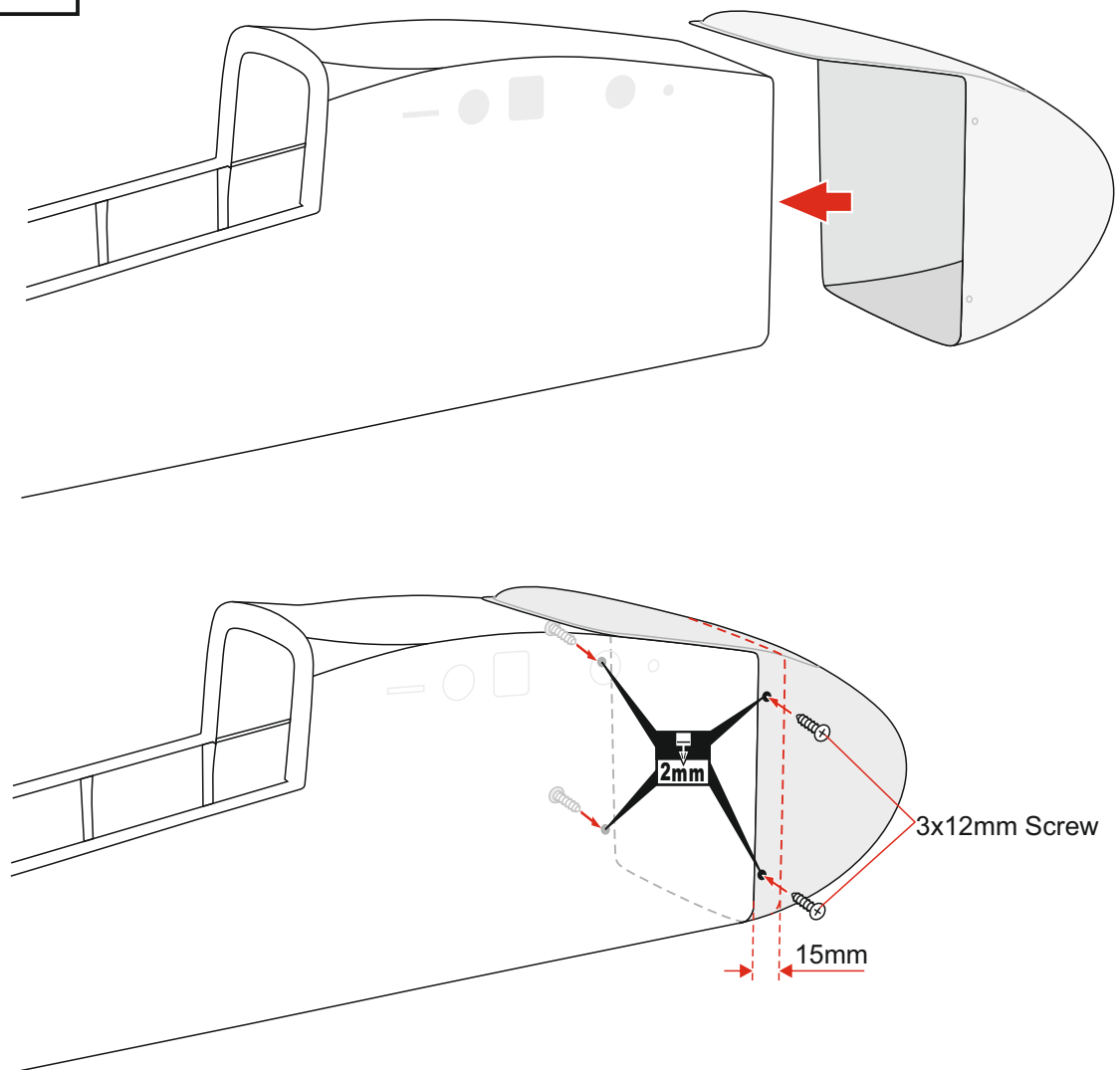
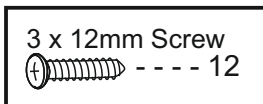
4) While holding the cowl firmly in position, drill four 1,6mm pilot holes through both the cowl and the side edges of the firewall.

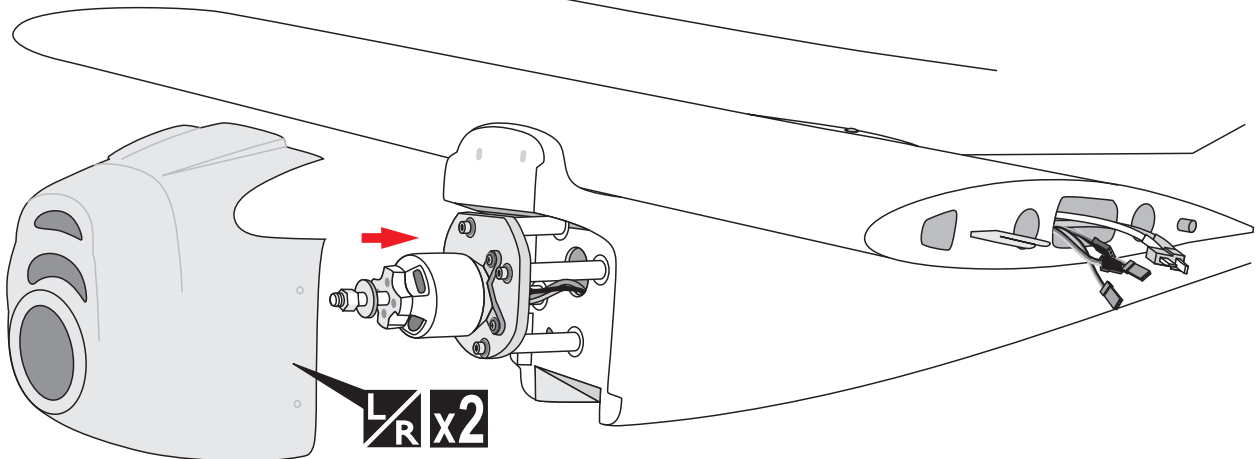
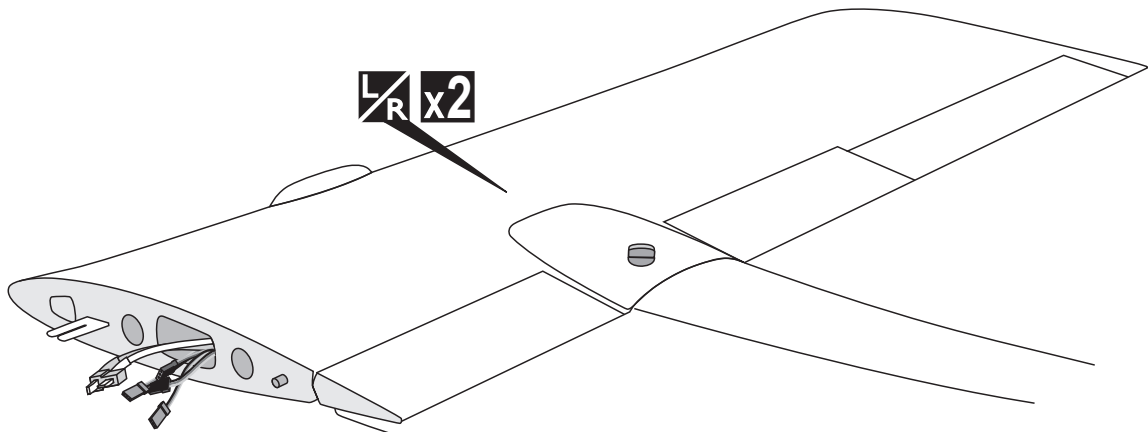
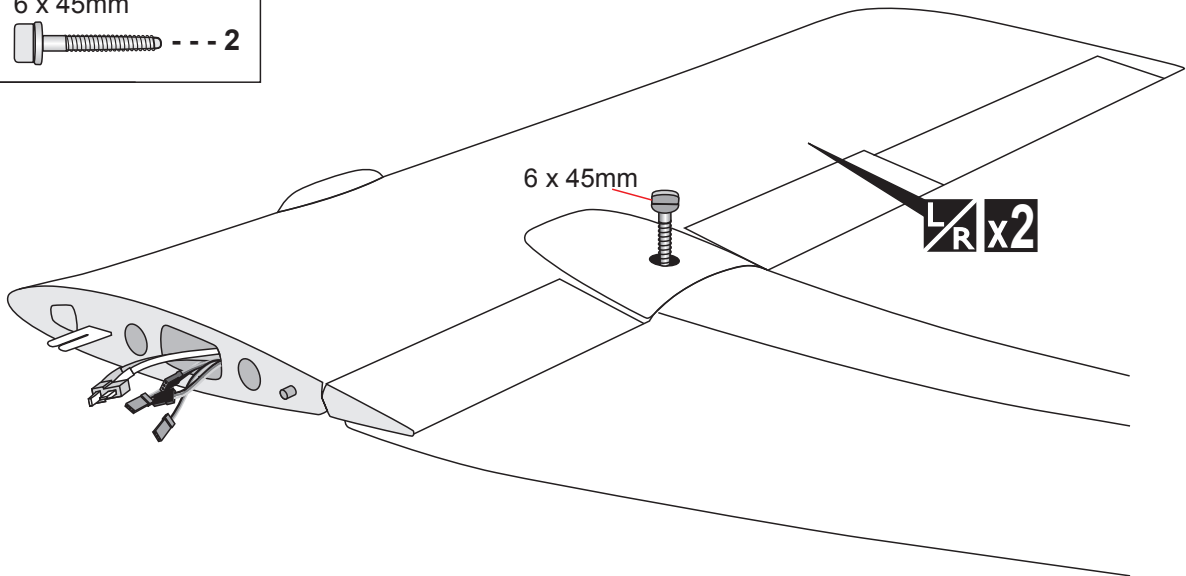
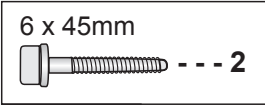
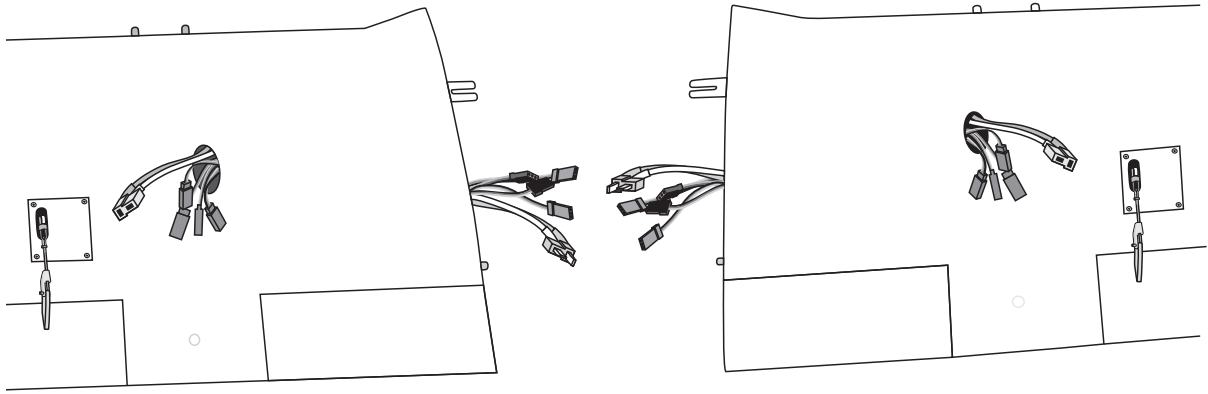
5) Using a 3mm drill bit, enlarge the four holes in the cowling.

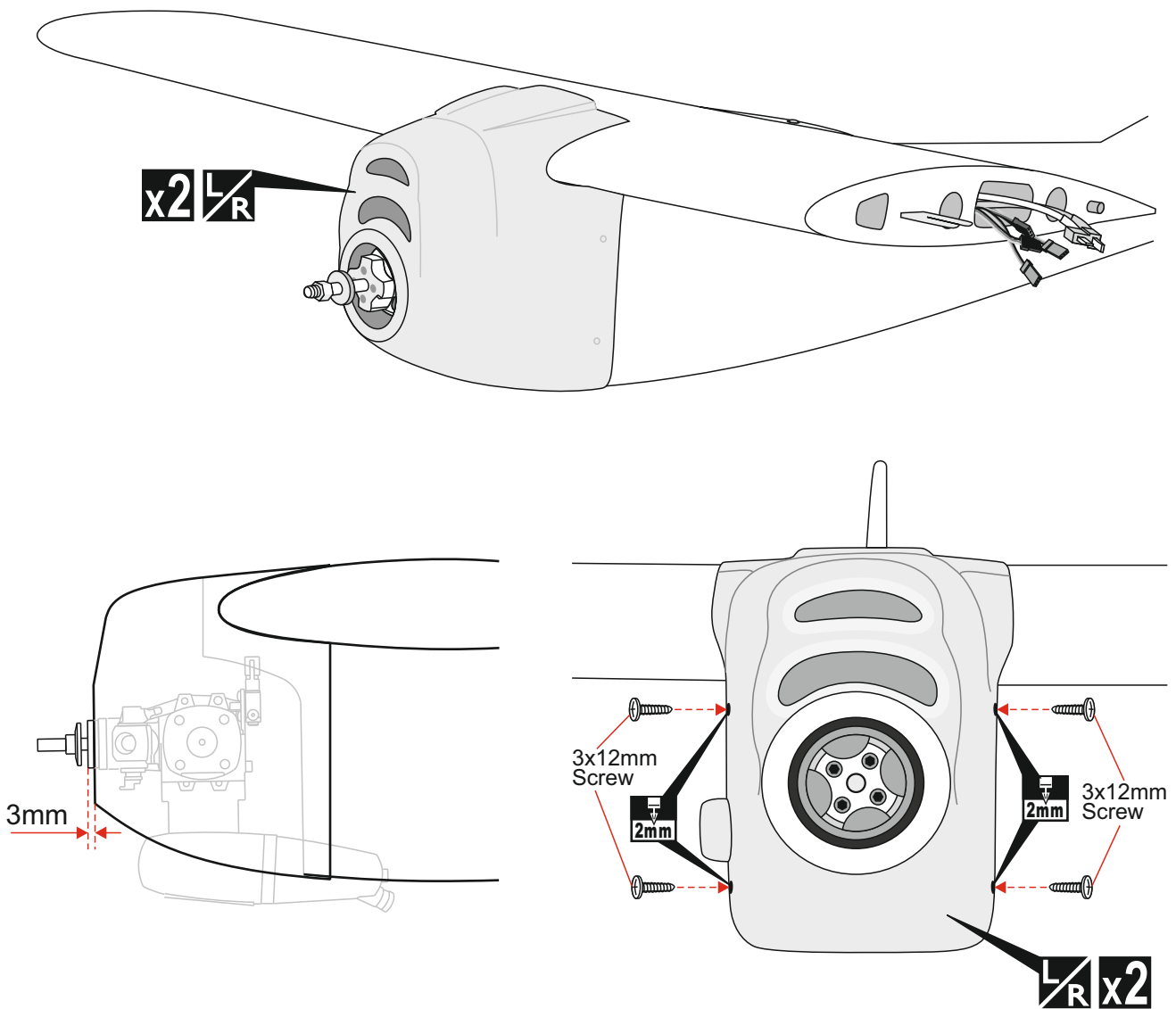
 *Enlarging the holes through the cowl will prevent the fiberglass from splitting when the mounting screws are installed.*

6) Slide the cowl back over the engine and secure it in place using four screws.

7) Install the muffler. Connect the fuel and pressure lines to the carburator, muffler and fuel filler valve. Tighten the screws completely.







INSTALLING THE SPINNER.

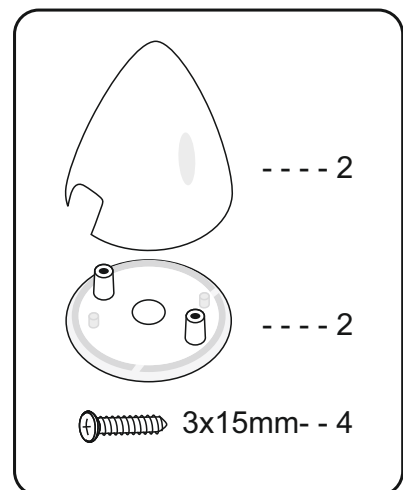
* Install the spinner back-plate, propeller and spinner cone. The spinner cone is held in place using two screws.

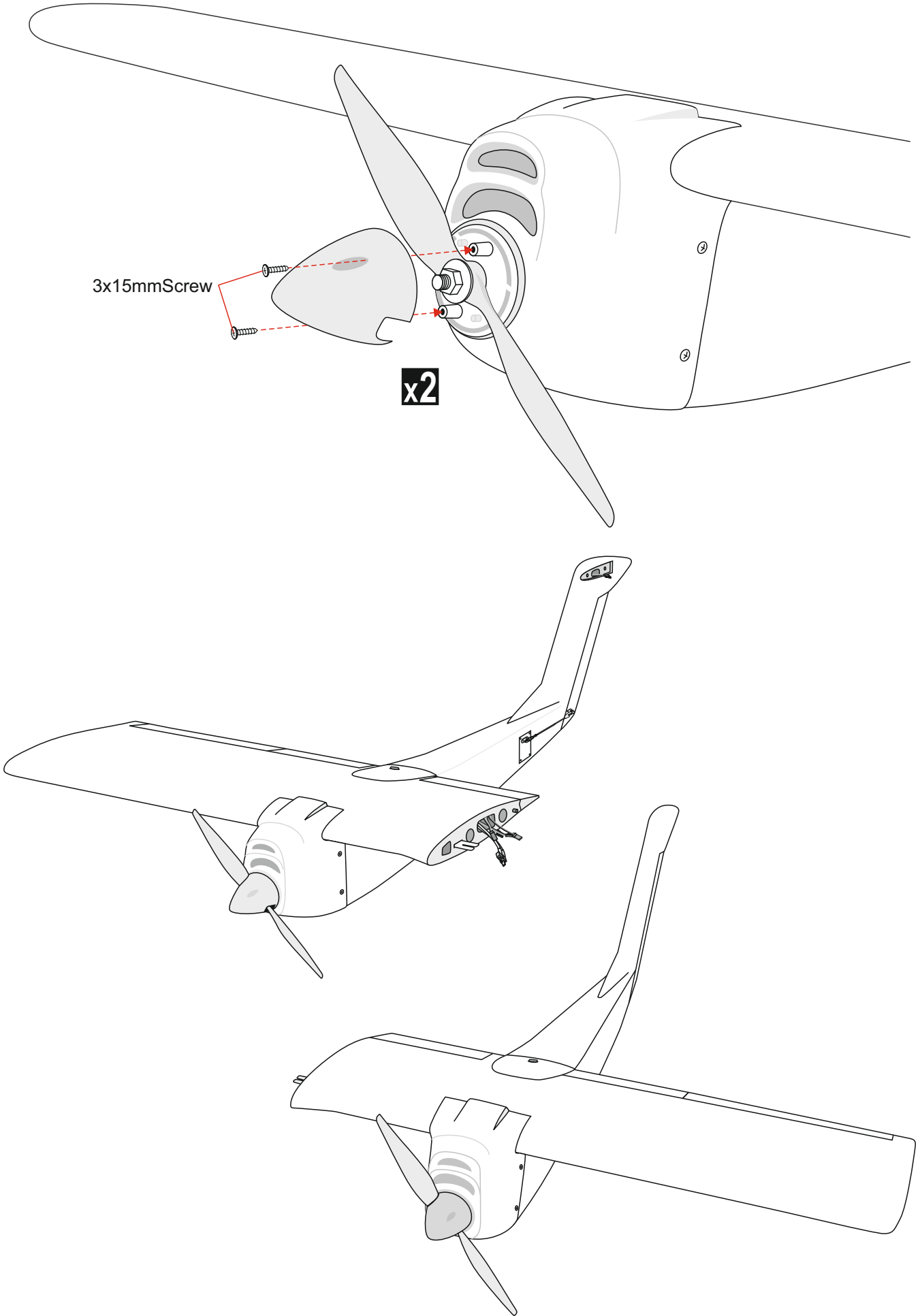


The propeller should not touch any part of the spinner cone. If it does, use a sharp modeling knife and carefully trim away the spinner cone where the propeller comes in contact with it.

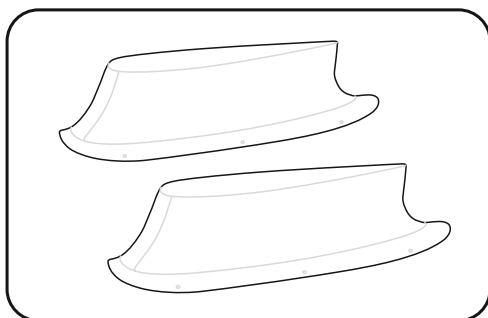


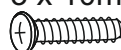
- ▶ Securely tighten the nut holding the propeller for it not come off when the motor is spinning. If coming off, there is a high risk of injury!
- ▶ Always ensure propeller and spinner are balanced. If unbalanced, vibration may result at high rotation and cause damage or injury.

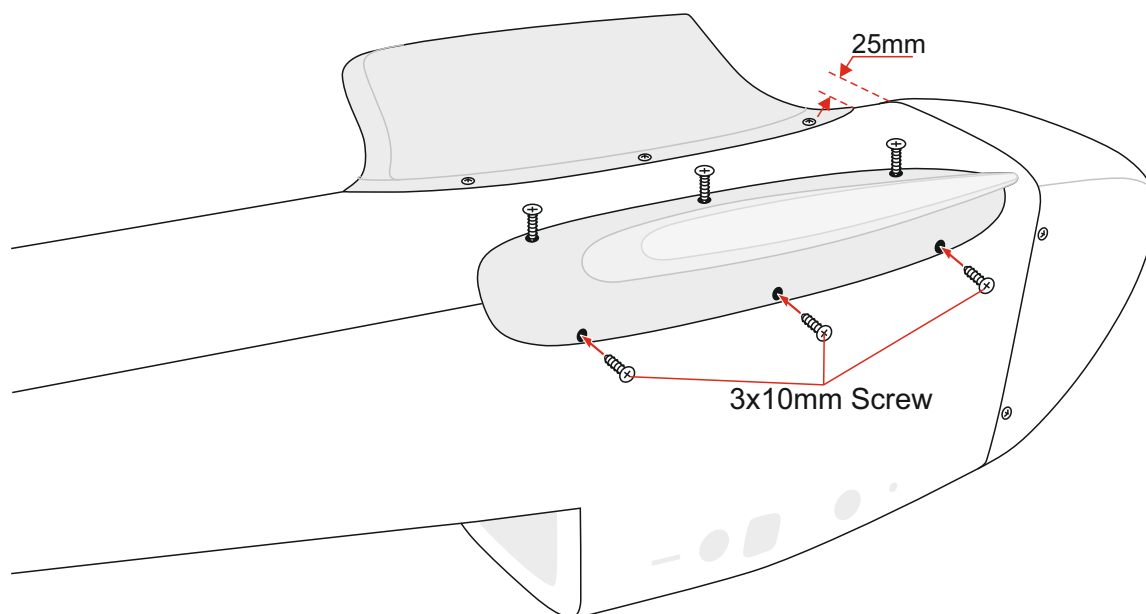




PLASTIC PARTS FOR FUSELAGE.




3 x 10mm Screw
 --- 12



INSTALLING THE RECEIVER AND BATTERY.

1) Plug the servo leads and the switch lead into the receiver. You may want to plug an aileron extension into the receiver to make plugging in the aileron servo lead easier when you are installing the wing. Plug the battery pack lead into the switch.

2) Wrap the receiver and battery pack in the protective foam to protect them from vibration. Use a rubber band or masking tape to hold the foam in place.

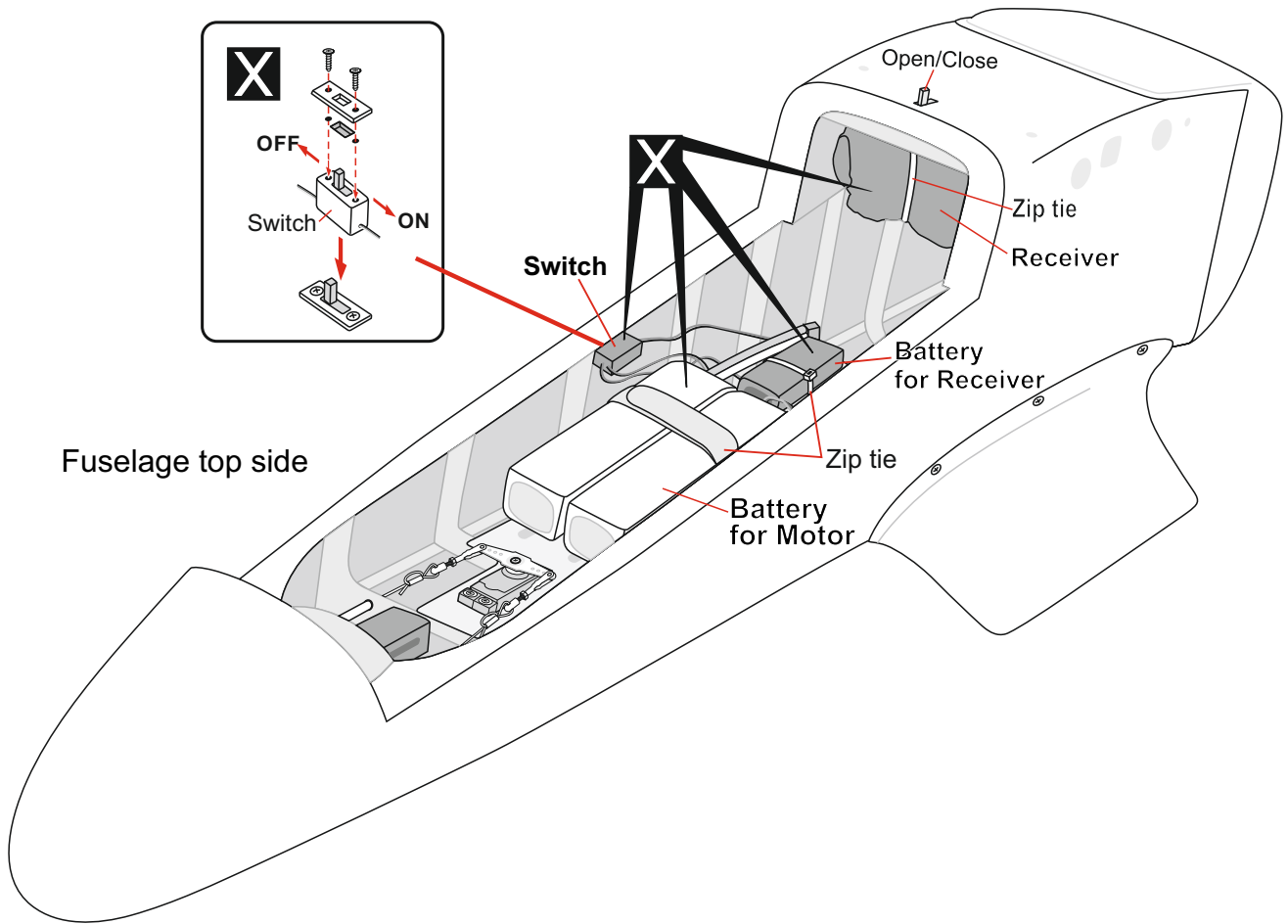
 *Do not permanently secure the receiver and battery until after balancing the model.*

INSTALLING THE SWITCH

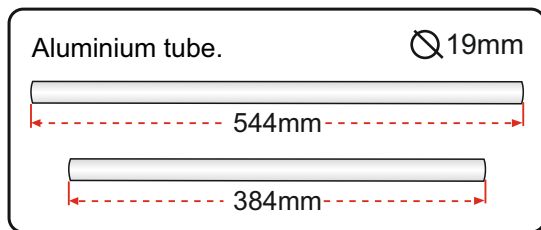
1) The switch should be mounted on the fuselage side, opposite the muffler, close enough to the receiver so the lead will reach. Use the face plate of the switch cut out and locate the mounting holes.

2) Cut out the switch hole using a modeling knife. Use a 2mm drill bit and drill out the two mounting holes through the fuselage side.

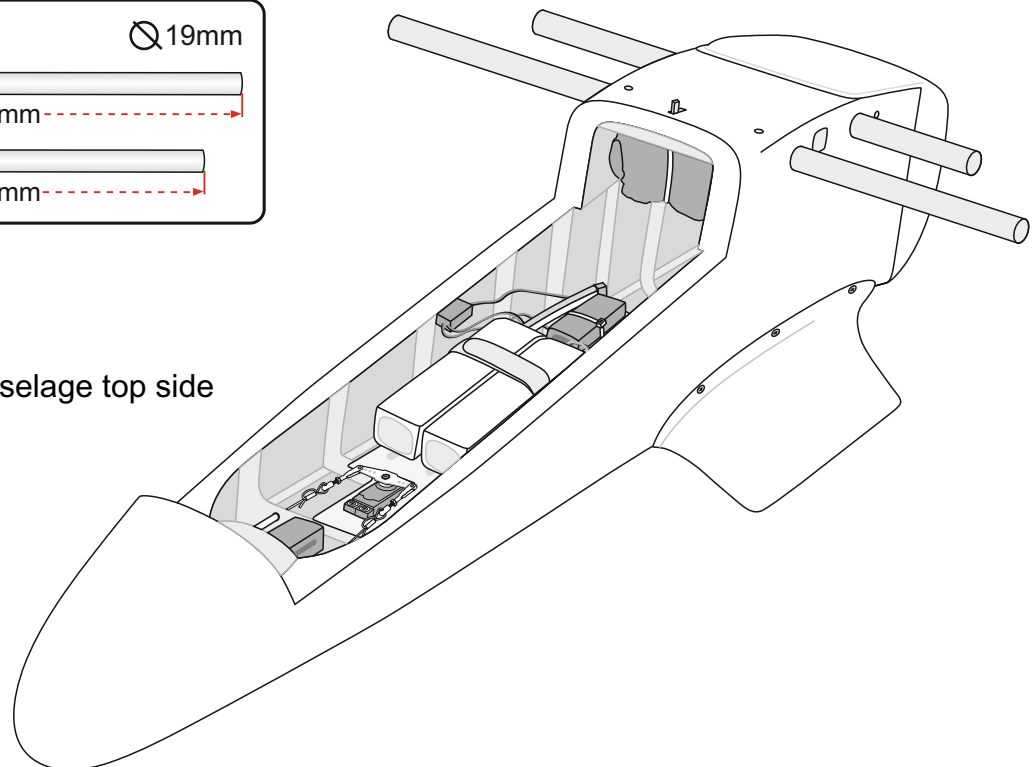
3) Secure the switch in place using the two machine screws provided with the radio system.

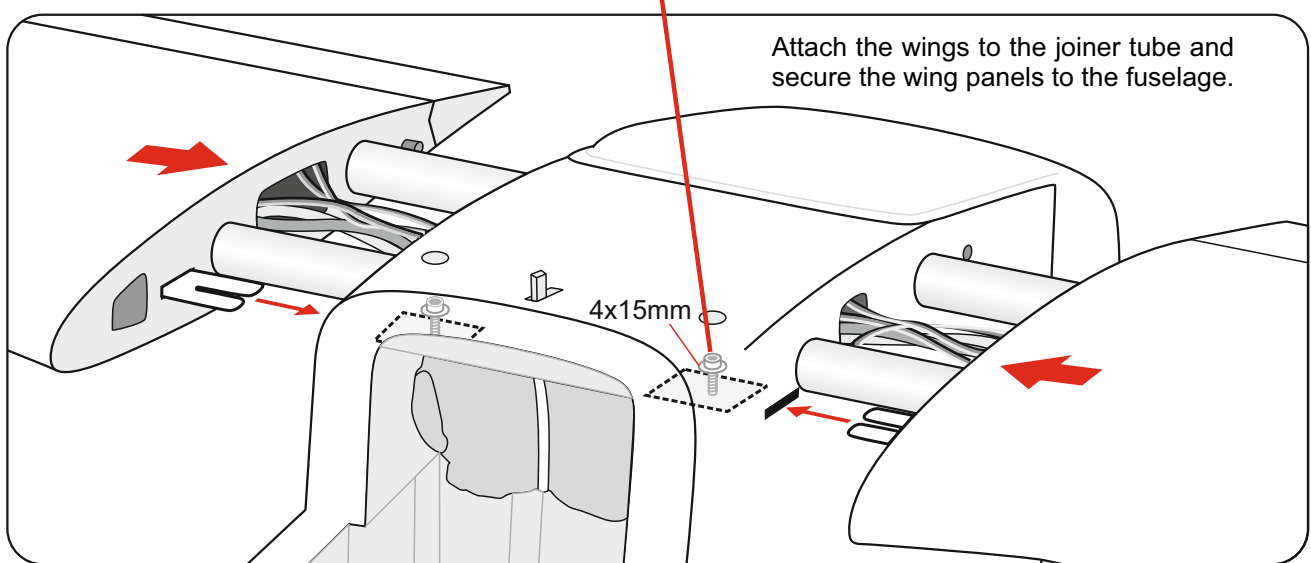
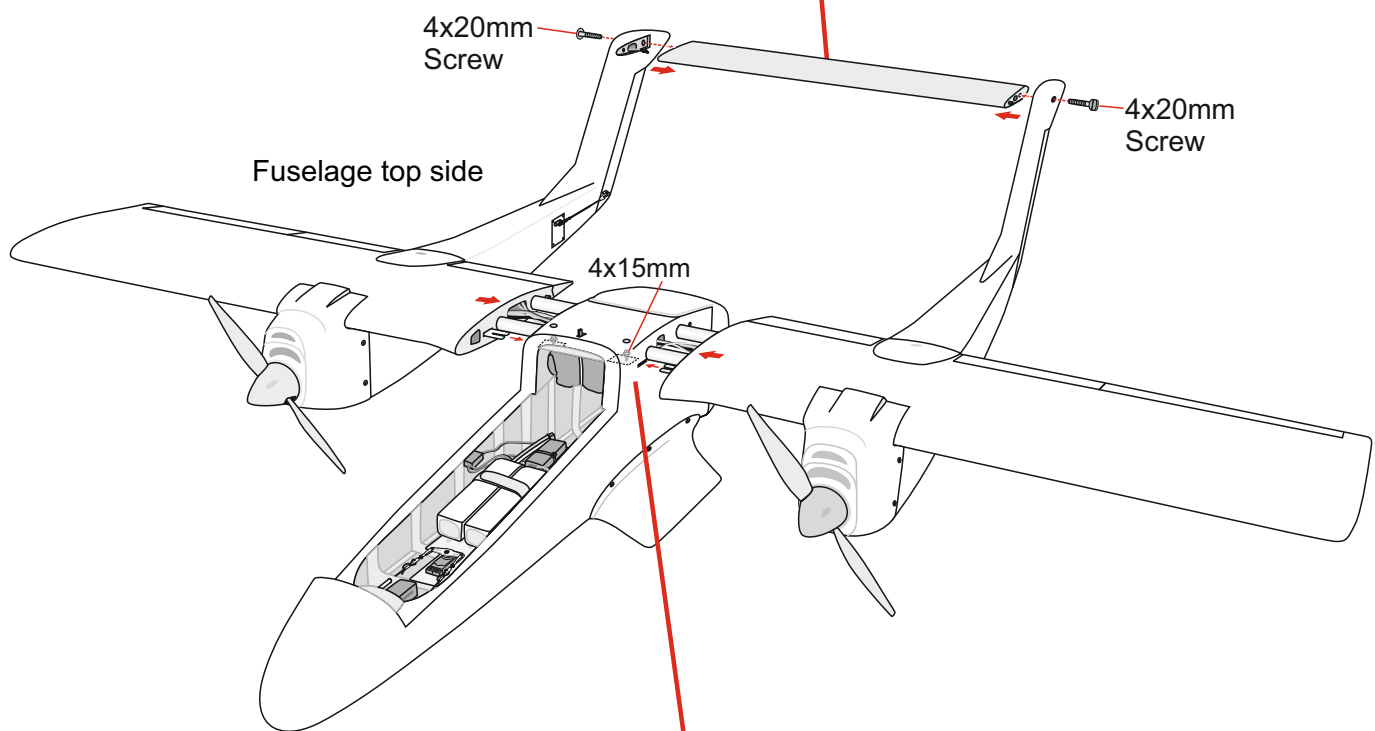
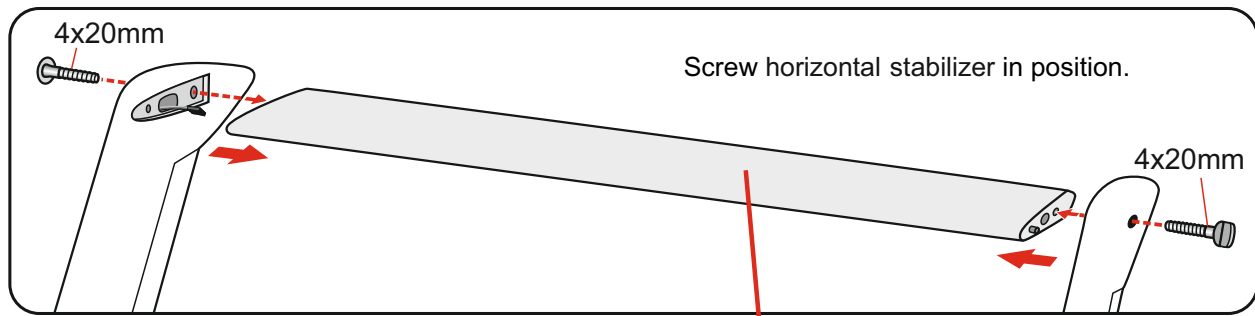
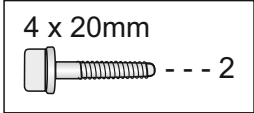


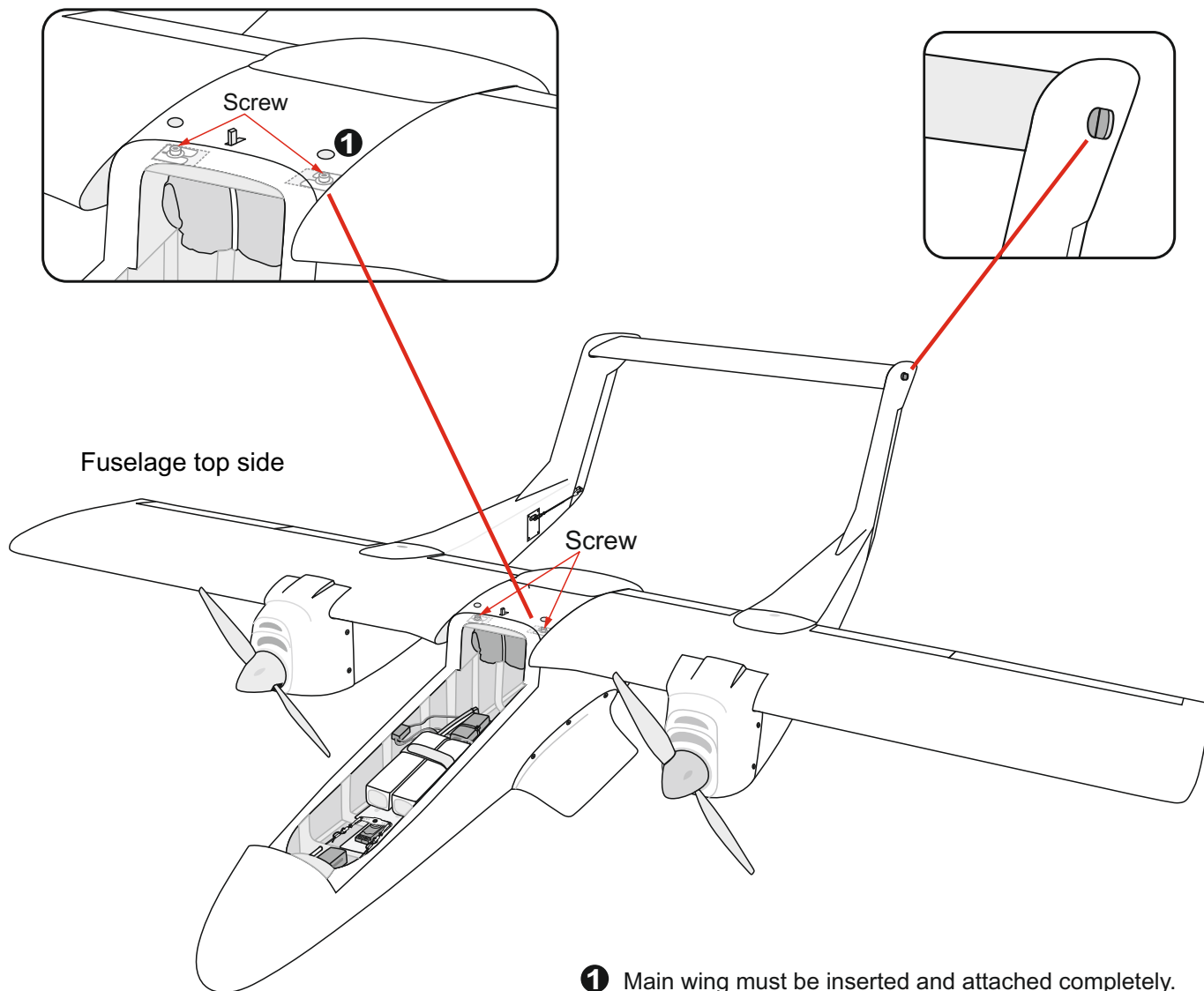
WING ATTACHMENT, HORIZONTAL STABILIZER .



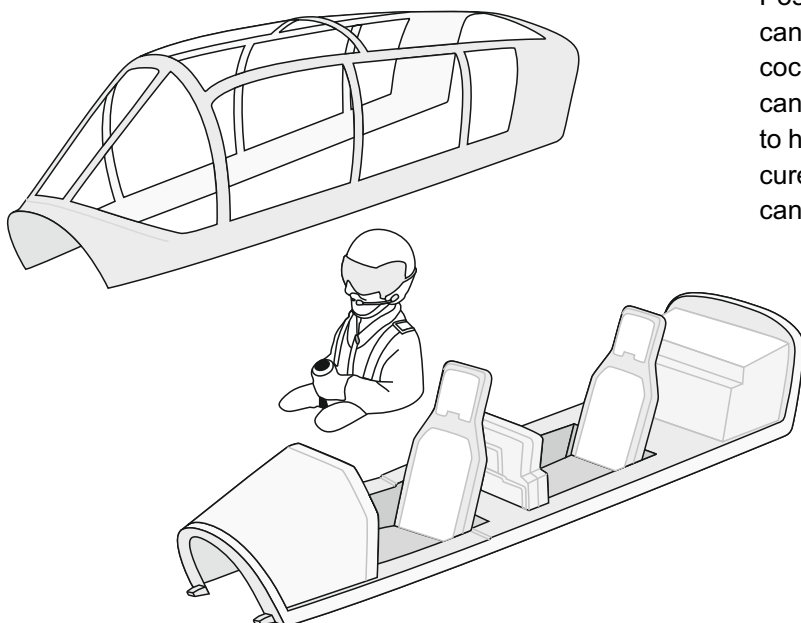
Fuselage top side



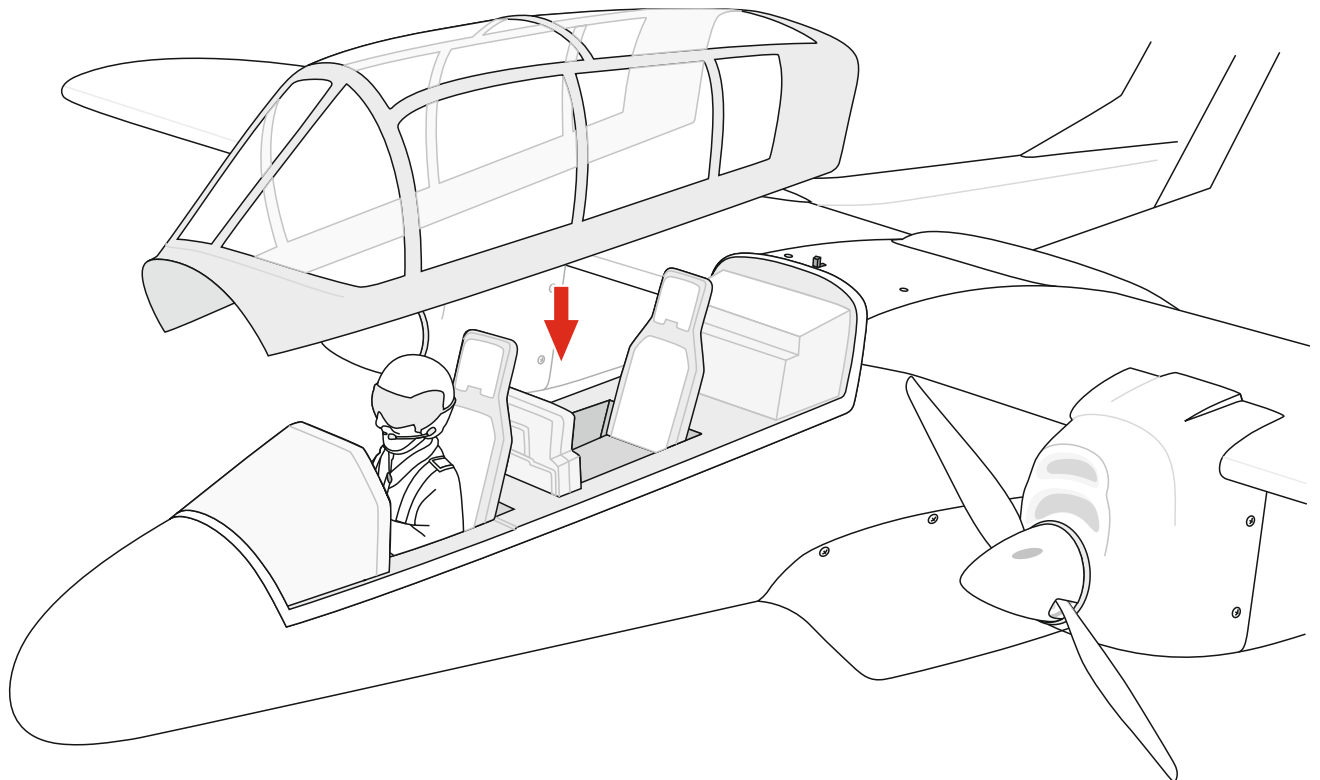
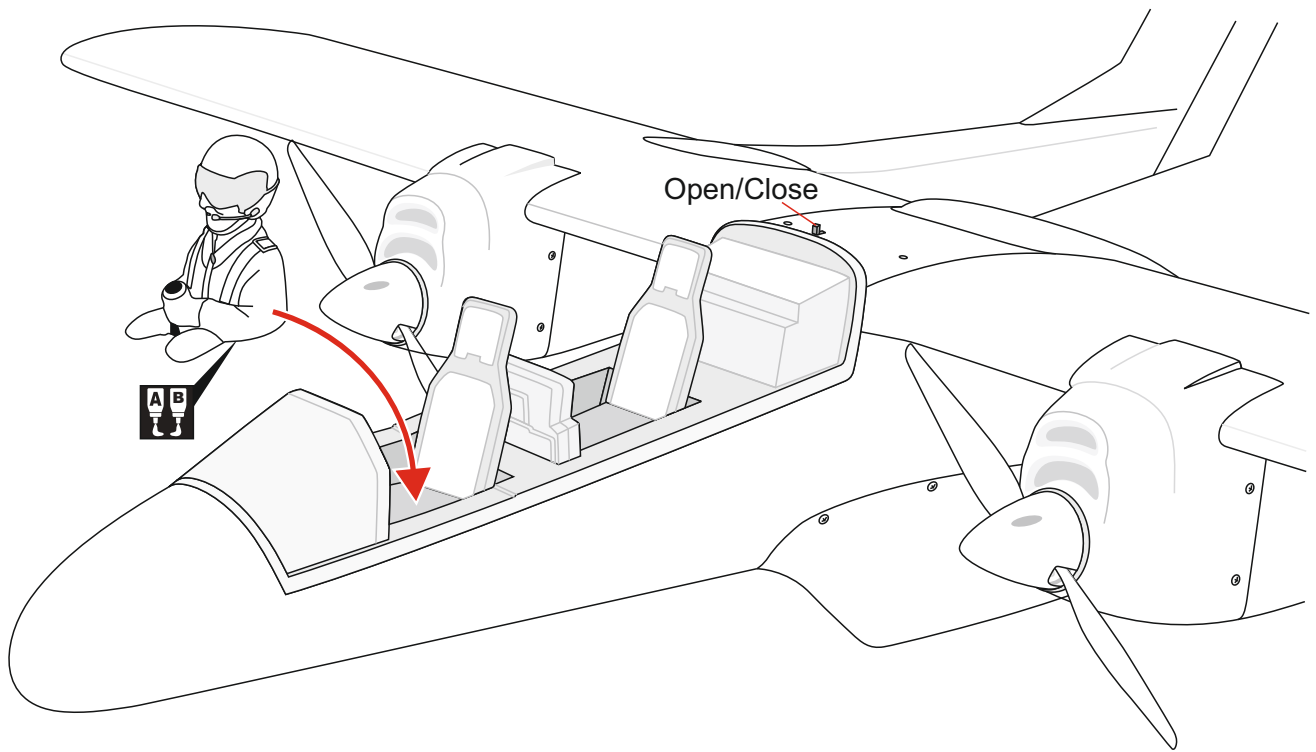


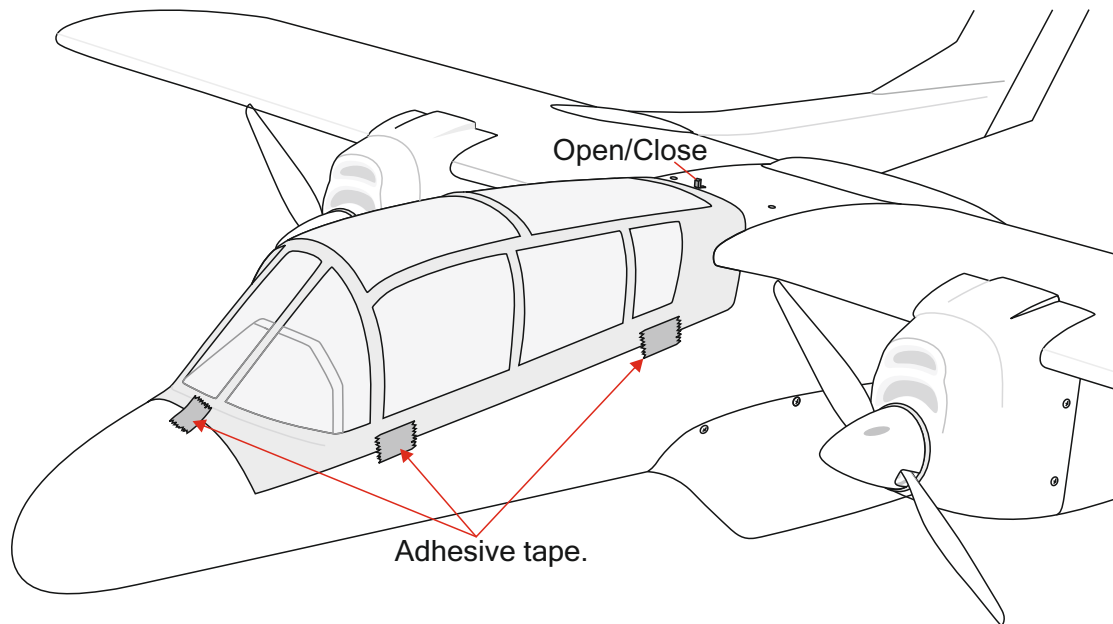


INSTALLING COCKPIT FUSELAGE



Position the canopy so the rear frame on the canopy is aligned with the rear edge of the cockpit opening. Use canopy glue to secure the canopy to the canopy hatch. Use low-tack tape to hold the canopy in position until the glue fully cures. Wrap the tape completely around the canopy hatch.





BALANCING

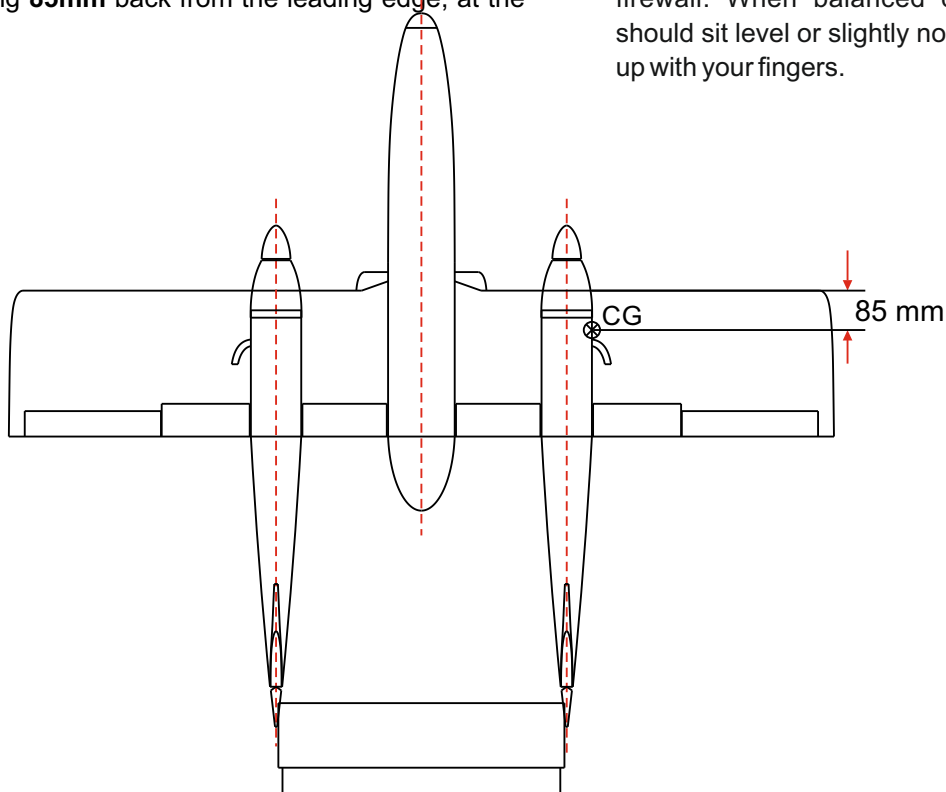
1) It is critical that your airplane be balanced correctly. Improper balance will cause your plane to lose control and crash.

THE CENTER OF GRAVITY IS LOCATED **85MM** BACK FROM THE LEADING EDGE OF THE WING. AT THE FUSELAGE. BALANCE A PLANE UPSIDE DOWN WITH THE FUEL TANK EMPTY.

2) Mount the wing to the fuselage. Using a couple of pieces of masking tape, place them on the top side of the wing **85mm** back from the leading edge, at the

3) Turn the airplane upside down. Place your fingers on the masking tape and carefully lift the plane.

4) If the nose of the plane falls, the plane is nose heavy. To correct this first move the battery pack further back in the fuselage. If this is not possible or does not correct it, stick small amounts of lead weight on the fuselage under the horizontal stabilizer. If the tail of the plane falls, the plane is tail heavy. To correct this, move the battery and receiver forward or if this is not possible, stick weight into the firewall. When balanced correctly, the airplane should sit level or slightly nose down when you lift it up with your fingers.



LATERAL BALANCE



After you have balanced a plane on the C.G. You should laterally balance it. Doing this will help the airplane track straighter.

- 1) Turn the airplane upside down. Attach one loop of heavy string to the engine crankshaft and one to the tail wheel wire. With the wings level, carefully lift the airplane by the string. This may require two people to make it easier.
- 2) If one side of the wing fall, that side is heavier than the opposite. Add small amounts of lead weight to the bottom side of the lighter wing half's wing tip. Follow this procedure until the wing stays level when you lift the airplane.

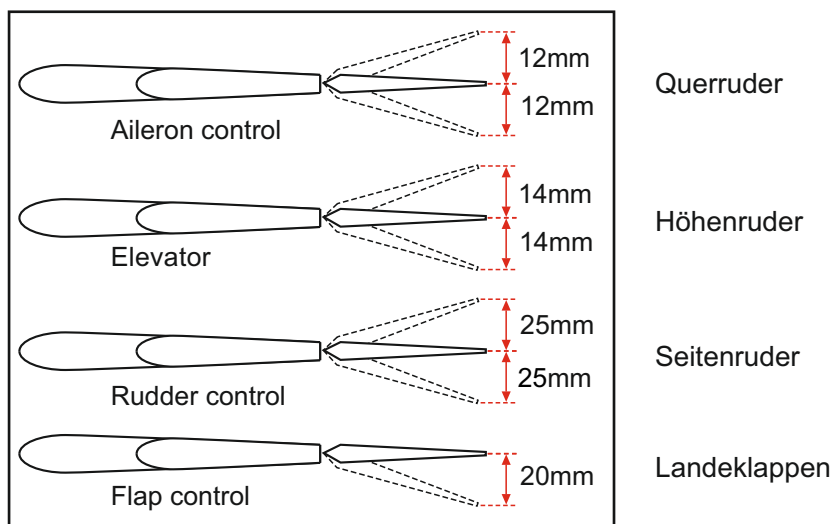
CONTROL THROWS

- 1) We highly recommend setting up a plane using the control throws listed.
- 2) The control throws should be measured at the widest point of each control surface.
- 3) Check to be sure the control surfaces move in the correct directions.

Low rate:

- Aileron: 12 mm up 12 mm down
- Elevator: 14 mm up 14 mm down
- Rudder: 25 mm right 25 mm left
- Flap: 20 mm down

Ruderausschläge



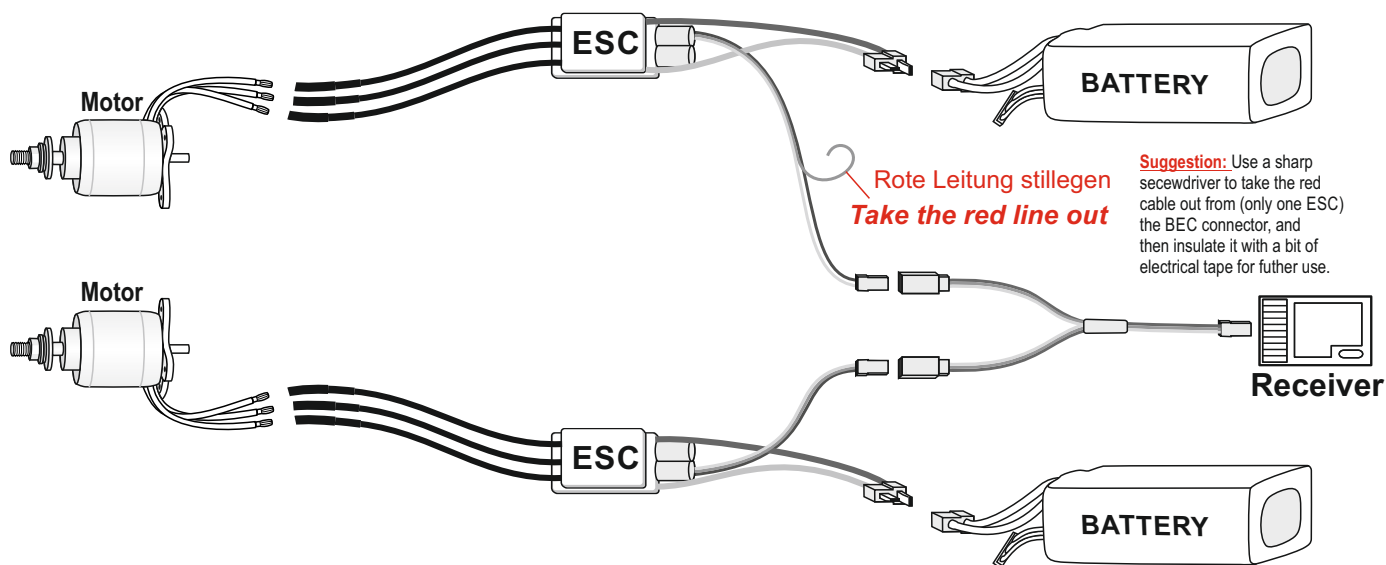
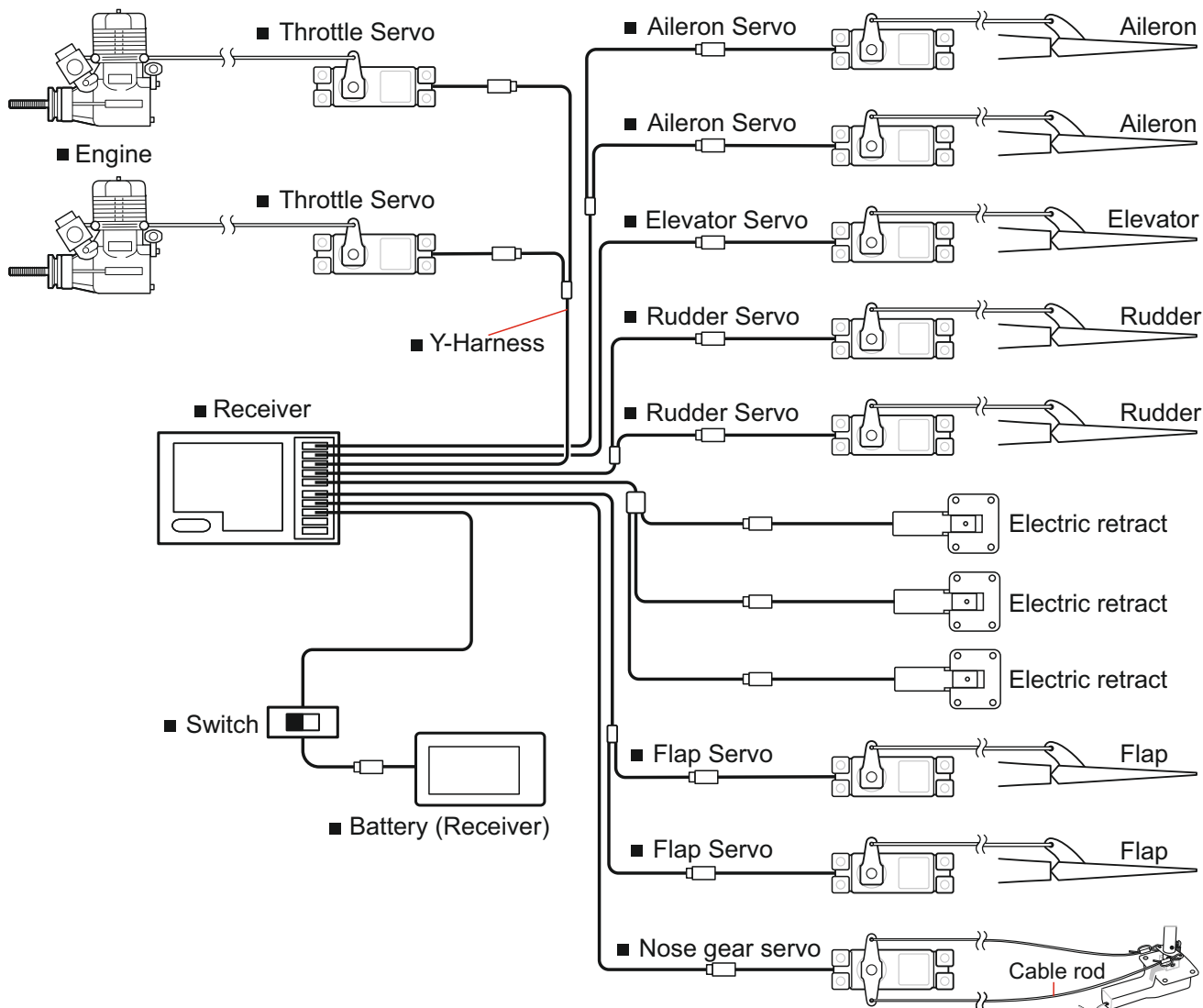
PRE-FLIGHT CHECK

- 1) Completely charge your transmitter and receiver batteries before your first day of flying.
- 2) Check every bolt and every glue joint in your plane to ensure that everything is tight and well bonded.
- 3) Double check the balance of the airplane.
- 4) Check the control surface.
- 5) Check the receiver antenna. It should be fully extended and not coiled up inside the fuselage.
- 6) Properly balance the propeller.

FOR YOUR RADIO INSTALLATION BASIC CONNECTION FOR AIRPLANE AND ADJUSTMENT OF SERVOS

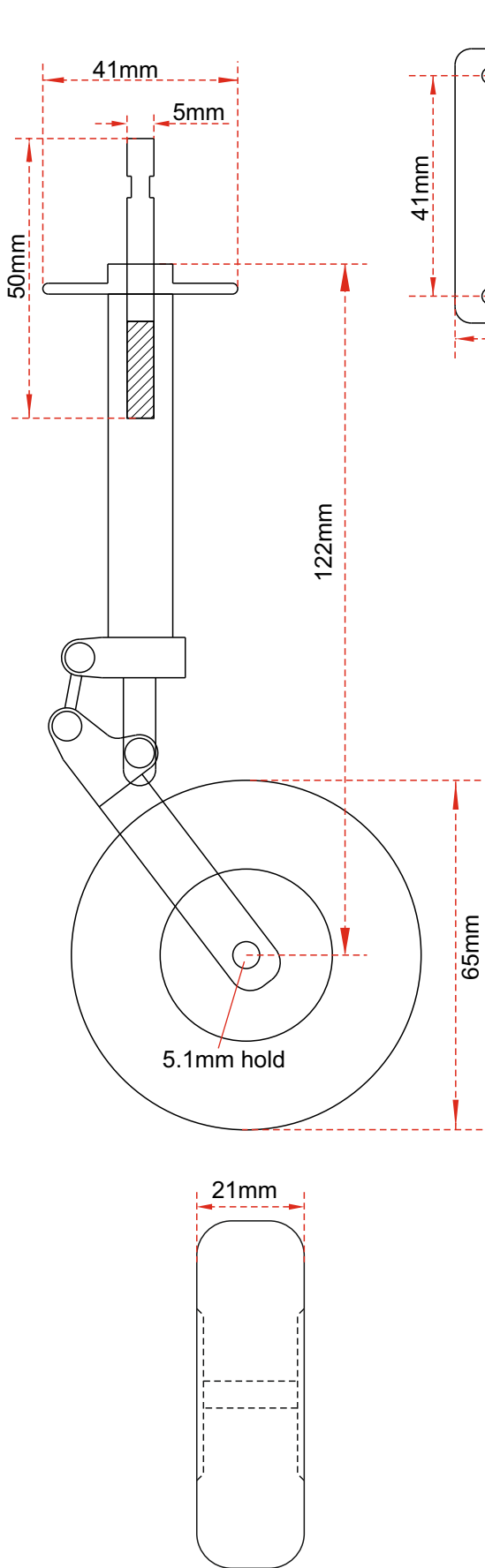
Example of connection

- For more information, refer to radio system instruction manual.
- Follow instruction manual of Engine and Battery.

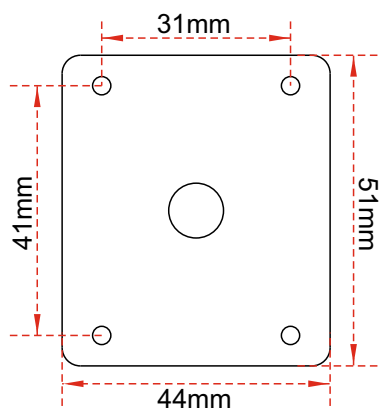


MAIN GEAR DIMENSIONAL DETAIL

NOSE GEAR STRUTS



LANDING GEAR MOUNT.



MAIN GEAR STRUTS

