

Radio control model / Flugmodell

PILATUS PC-7

AUSTRIA AIR FORCE TRAINER
SWISS AIR FORCE TRAINER



VQ No: VQA096 Austria Air-force
VQ No: VQA097 Swiss Air-force

ALL Balsa, PLYWOOD CONSTRUCTION AND ALMOST READY TO FLY

Instruction manual / Montageanleitung

SPECIFICATIONS

Wingspan:.....1500mm (59in)
Length:.....1350mm (53 in)
Electric Motor:.....See next pager
Glow Engine:......46 2-T / .70 4-T
RTF Weight: 3.4Kg / 7.5lbs (Will vary with
Equipment Used).
Radio:.....6 Channel / 4-5 Servos
Function: Ailerons-Elevator-Rudder-Throttle
Retractable Landing Gear Optional

TECHNISCHE DATEN

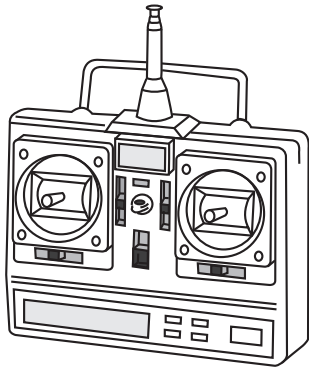
Spannweite:.....1500mm
Länge:.....1350mm
Elektroantrieb.....(siehe nächste Seite)
Verbrennerantrieb:.....7.45cc - 11.5cc
Fluggewicht:.....3.4Kg
Fernsteuerung.....6 Kanal / 4-5 Servos



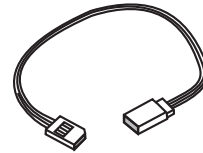
WARNING! This radio controlled model is NOT a toy. If modified or flown carelessly it could go out of control and cause serious human injury or property damage. Before flying your airplane, ensure the air field is spacious enough. Always fly it outdoors in safe areas and seek professional advice if you are unexperienced.

ACHTUNG! Dieses ferngesteuerte Modell ist KEIN Spielzeug! Es ist für fortgeschrittene Modellflugpiloten bestimmt, die ausreichende Erfahrung im Umgang mit derartigen Modellen besitzen. Bei unsachgemäßer Verwendung kann hoher Personen- und/oder Sachschaden entstehen. Fragen Sie in einem Modellbauverein in Ihrer Nähe um professionelle Unterstützung, wenn Sie Hilfe im Bau und Betrieb benötigen. Der Zusammenbau dieses Modells ist durch die vielen Abbildungen selbsterklärend und ist für fortgeschrittene, erfahrene Modellbauer bestimmt.

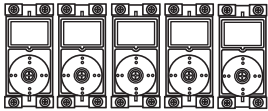
REQUIRED FOR OPERATION (Purchase separately) BENÖTIGTE KOMPONENTEN FÜR DEN ABFLUG (Nicht enthalten)



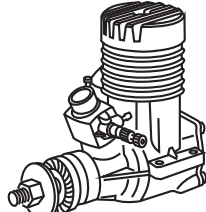
10.5x6 for .40 - 2 cycle engine
11x6 for .46 - 2 cycle engine
12x6 for .60 - 4 cycle engine
12x7 for .70 - 4 cycle engine
13x8 for BOOST 60 Motor



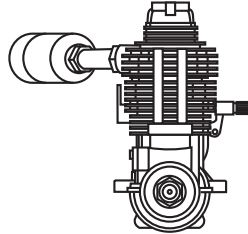
Extension for aileron servo, retract servo and Rx battery pack.



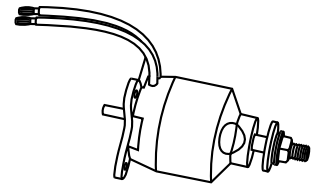
Minimum 5 channel radio for airplane with 5 (4 for EP) standard servos and two servo mini.
.Motor control x1 (for GP) .Elevator x1
.Rudder x1. Aileron x2



.46 ~ .50 - 2 cycle



.60 ~ .70 - 4 cycle



BOOST 60



Silicone tube

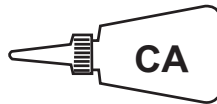
Antrieb Tuning (Kraftvoller Kunstflug):

BOOST 60 Brushless Combo Set, Best.Nr. C3174
LiPO Akku RED POWER 4250-5S, Best.Nr. C4547
Luftschraube 13*8, Best.Nr. C2846

GLUE (Purchase separately)



Silicon sealer



Cyanoacrylate Glue




Epoxy Glue (5 minute type)



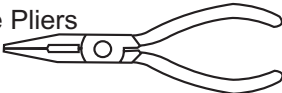
Epoxy Glue (30 minute type)

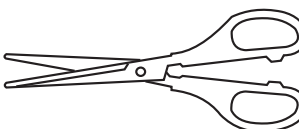
TOLLS REQUIRED (Purchase separately)


Hobby knife 


Phillip screw driver 

Hex Wrench 

Needle nose Pliers 

Scissors 

Awl 

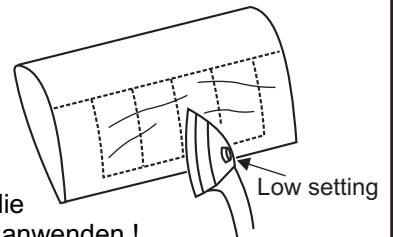
Sander 

Wire Cutters 


Masking tape - Straight Edged Ruler - Pen or pencil - Rubbing alcohol - Drill and Assorted Drill Bits


If exposed to direct sunlight and/or heat, wrinkles can appear. Storing the model in a cool place will let the wrinkles disappear. Otherwise, remove wrinkles in covering film with a hair dryer, starting with low temperature. You can fix the corners by using a hot iron.


Bei Sonneneinstrahlung und/oder Wärme kann die Folie erschlaffen bzw. Falten entstehen. Verwenden Sie ein Warmluftgebläse (Haartrockner) um evtl. Falten aus der Folie zu bekommen. Die Kanten können Sie mit einem Bügeleisen behandeln. Nicht zuviel Hitze anwenden !





Symbols used throughout this instruction manual, comprise:


 Drill holes using the stated size of drill (in this case 1.5 mm Ø)


 Take particular care here


 Hatched-in areas: remove covering film carefully

 Check during assembly that these parts move freely, without binding

 Use epoxy glue

 Apply cyano glue


 Assemble left and right sides the same way.

 Not included. These parts must be purchased separately

 Löcher bohren mit dem angegebenen Bohrer (hier 1,5 mm)

 Hier besonders aufpassen

 Schraffierte Stellen, Bespannfolie vorsichtig entfernen

 Während des Zusammenbaus immer prüfen, ob sich die Teile auch reibungslos bewegen lassen

 Epoxy-Klebstoff verwenden

 Sekundenkleber auftragen

 Linke und rechte Seite wird gleichermaßen zusammgebaut

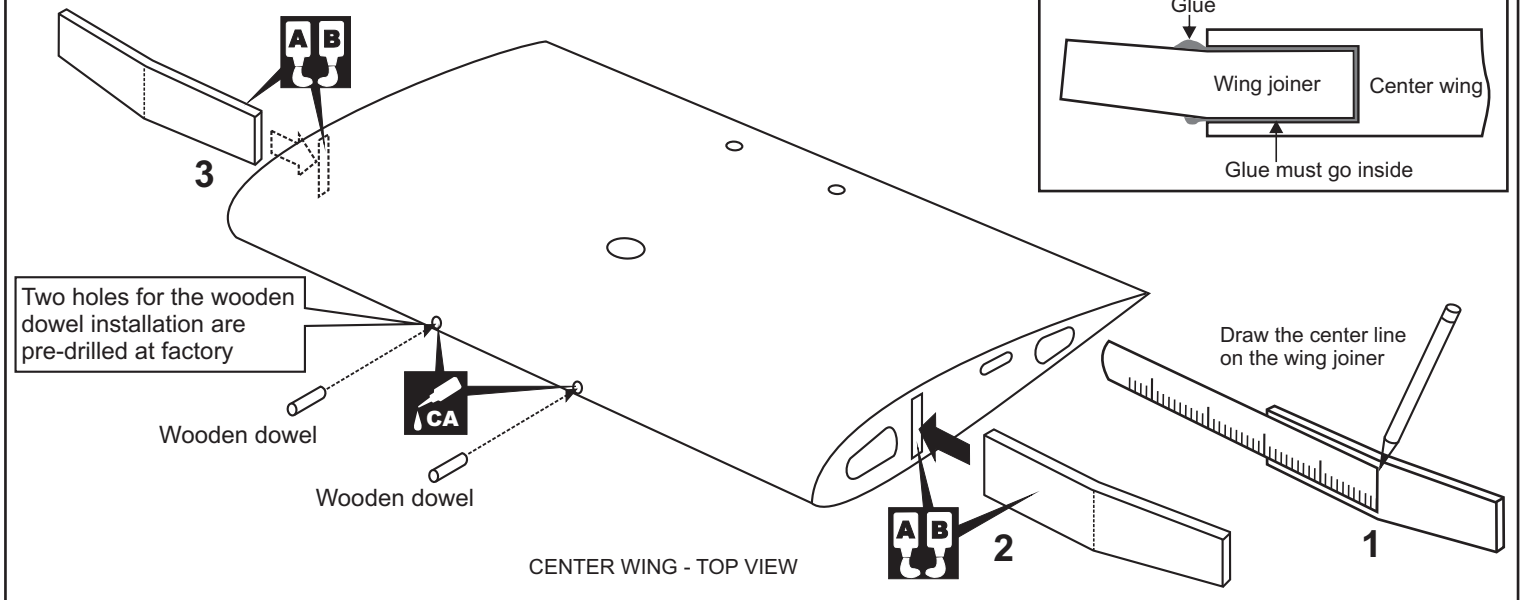
 Nicht enthalten. Teile müssen separat gekauft werden.

Read through the manual before you begin, so you will have an overall idea of what to do.

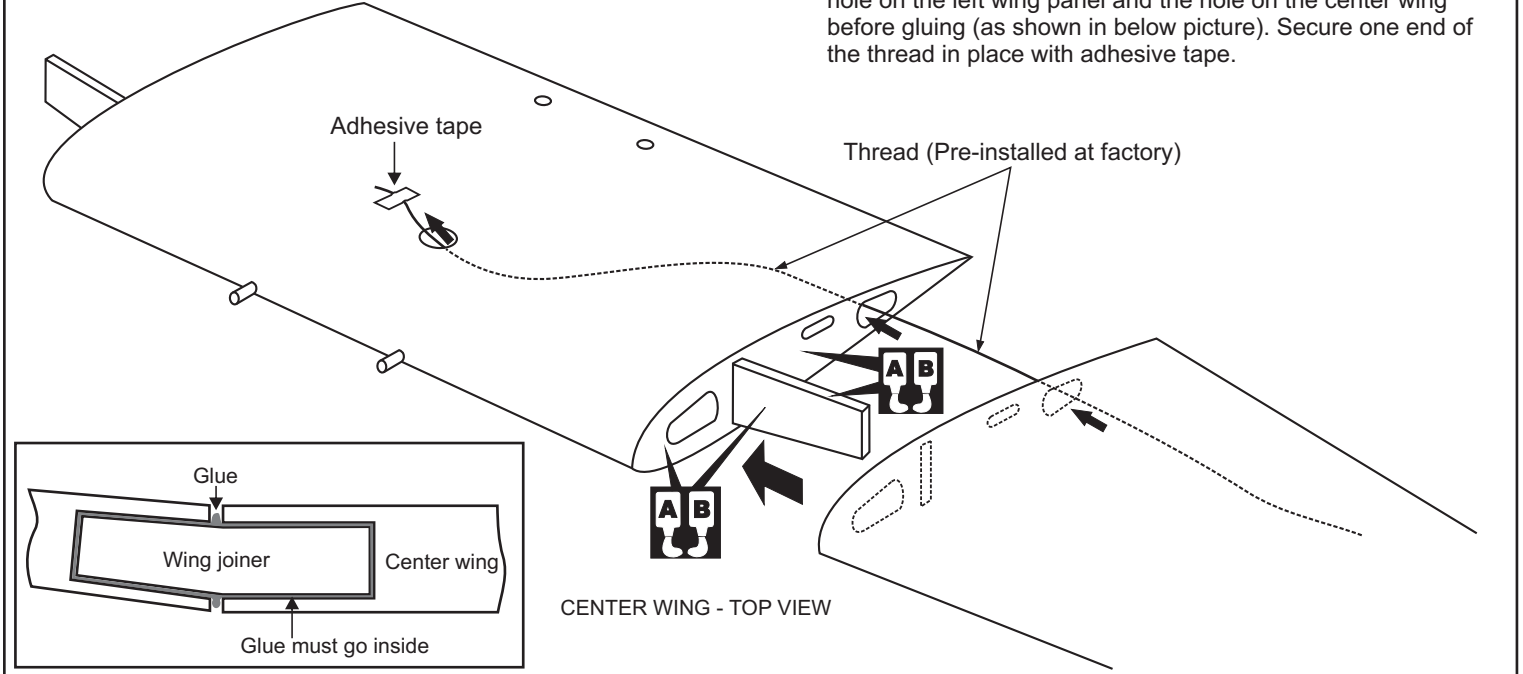
CONVERSION TABLE

1.0mm = 3/64"	3.0mm = 1/8"	10mm = 13/32"	25mm = 1"
1.5mm = 1/16"	4.0mm = 5/32"	12mm = 15/32"	30mm = 1-3/16"
2.0mm = 5/64"	5.0mm = 13/64"	15mm = 19/32"	45mm = 1-51/64"
2.5mm = 3/32"	6.0mm = 15/64"	20mm = 51/64"	

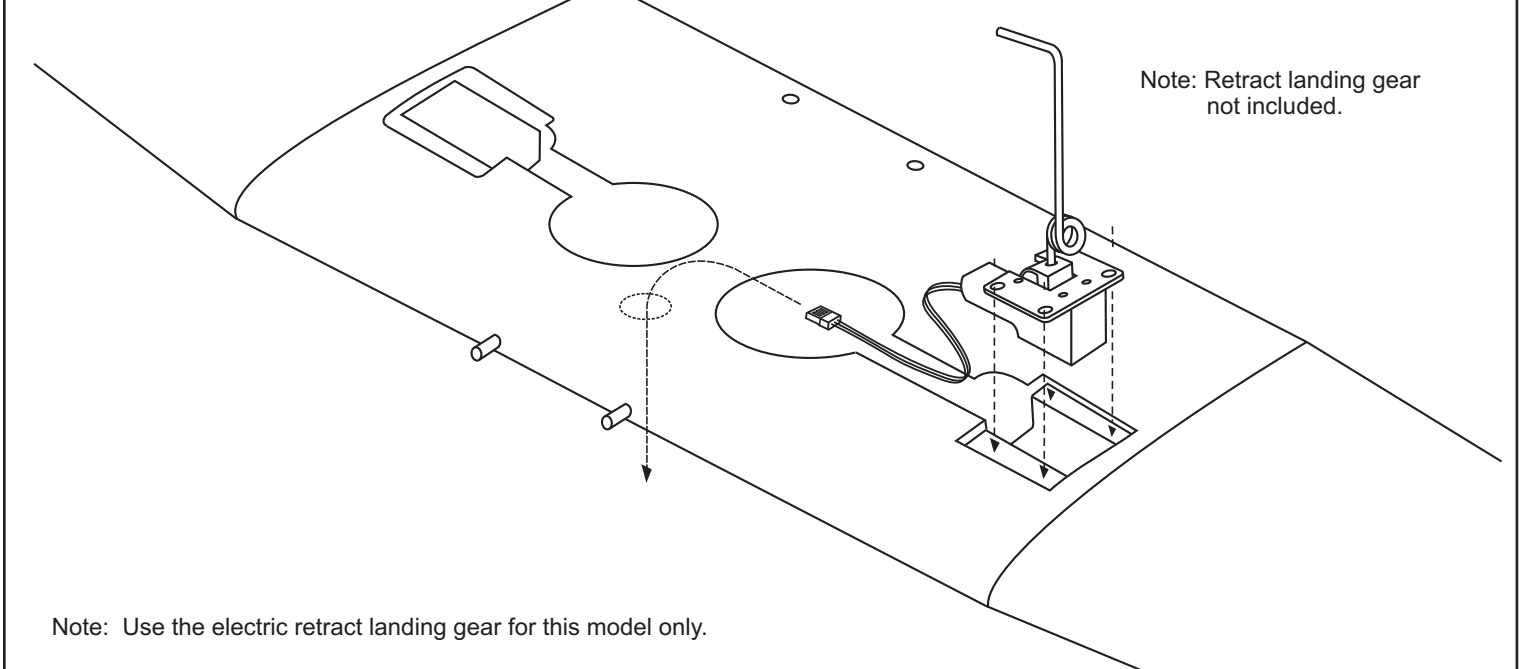
1- Coller les ailes



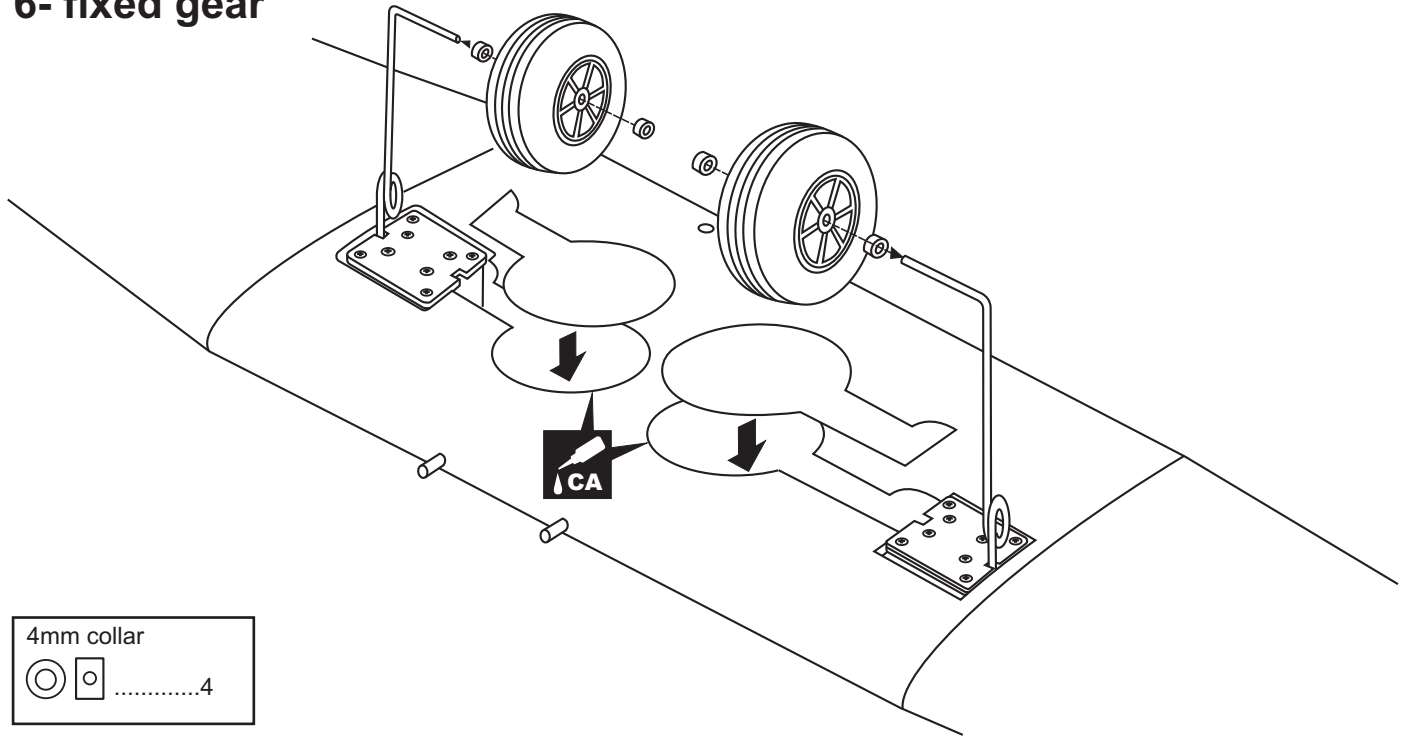
2- Coller les ailes





3- Retract landing gear

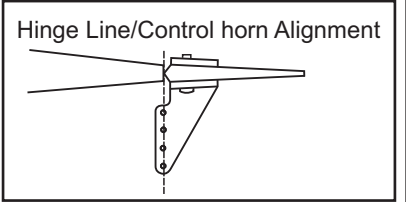
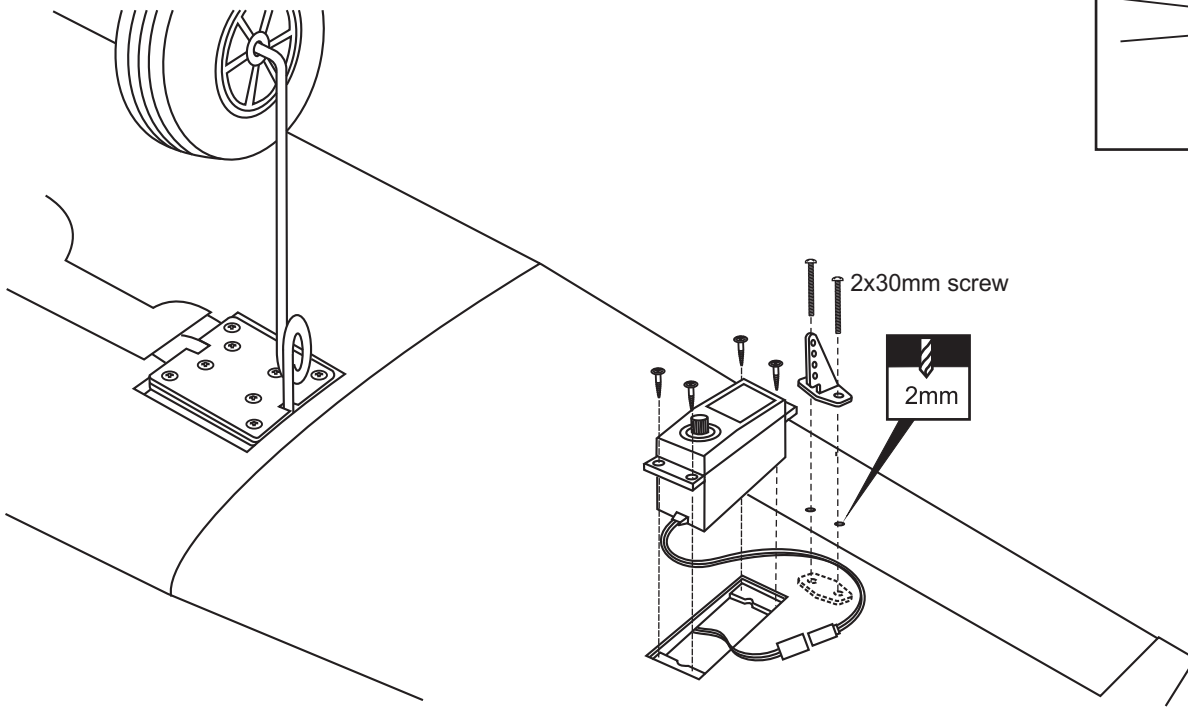


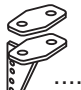

6- fixed gear



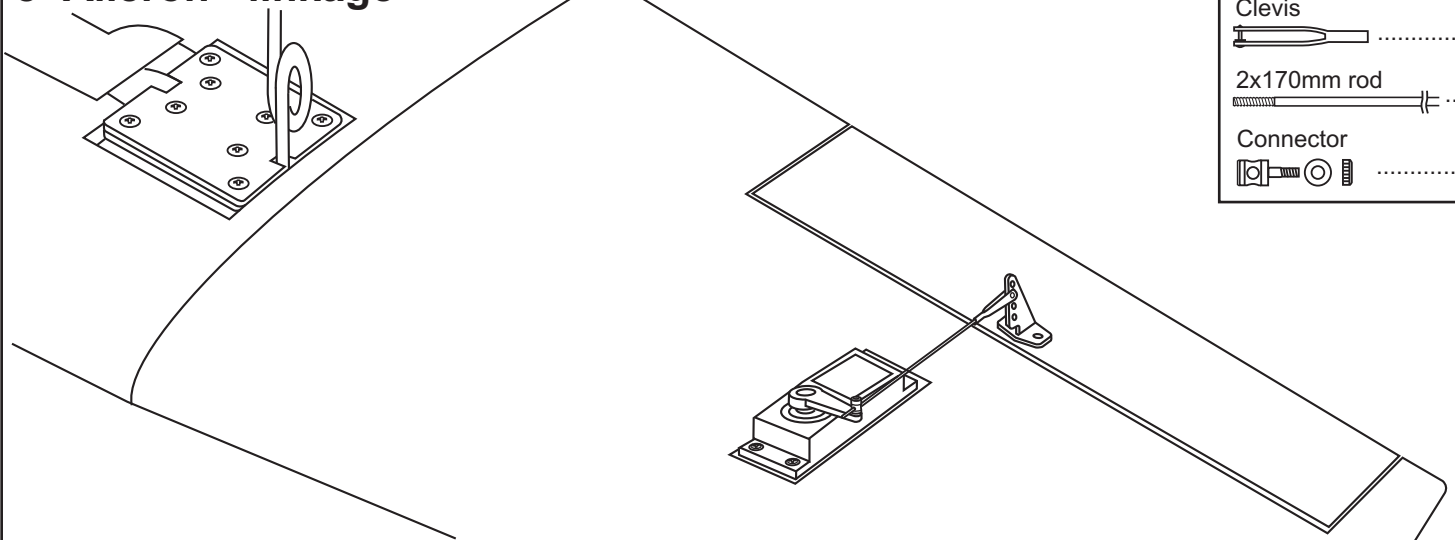
4mm collar
 4


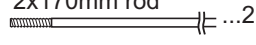
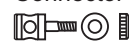
7- Aileron servo - control horn



Control horn
2
 2x30mm screw
4

8- Aileron - linkage

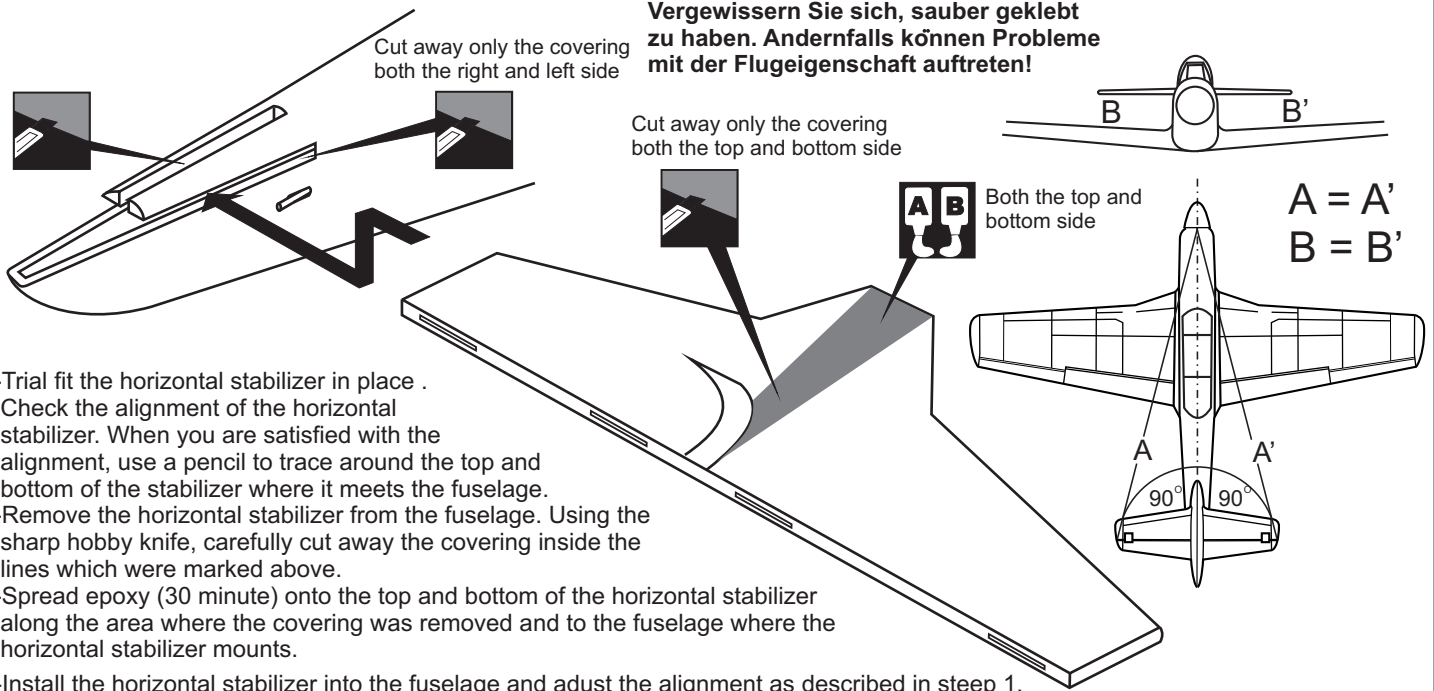


Clevis
2
 2x170mm rod
2
 Connector
2

9- Horizontal Stabilizer

Securely glue together. If coming off during flight, you lose control of your air plane.

Vergewissern Sie sich, sauber geklebt zu haben. Andernfalls können Probleme mit der Flugeigenschaft auftreten!



1-Trial fit the horizontal stabilizer in place .

Check the alignment of the horizontal stabilizer. When you are satisfied with the alignment, use a pencil to trace around the top and bottom of the stabilizer where it meets the fuselage.

2-Remove the horizontal stabilizer from the fuselage. Using the sharp hobby knife, carefully cut away the covering inside the lines which were marked above.

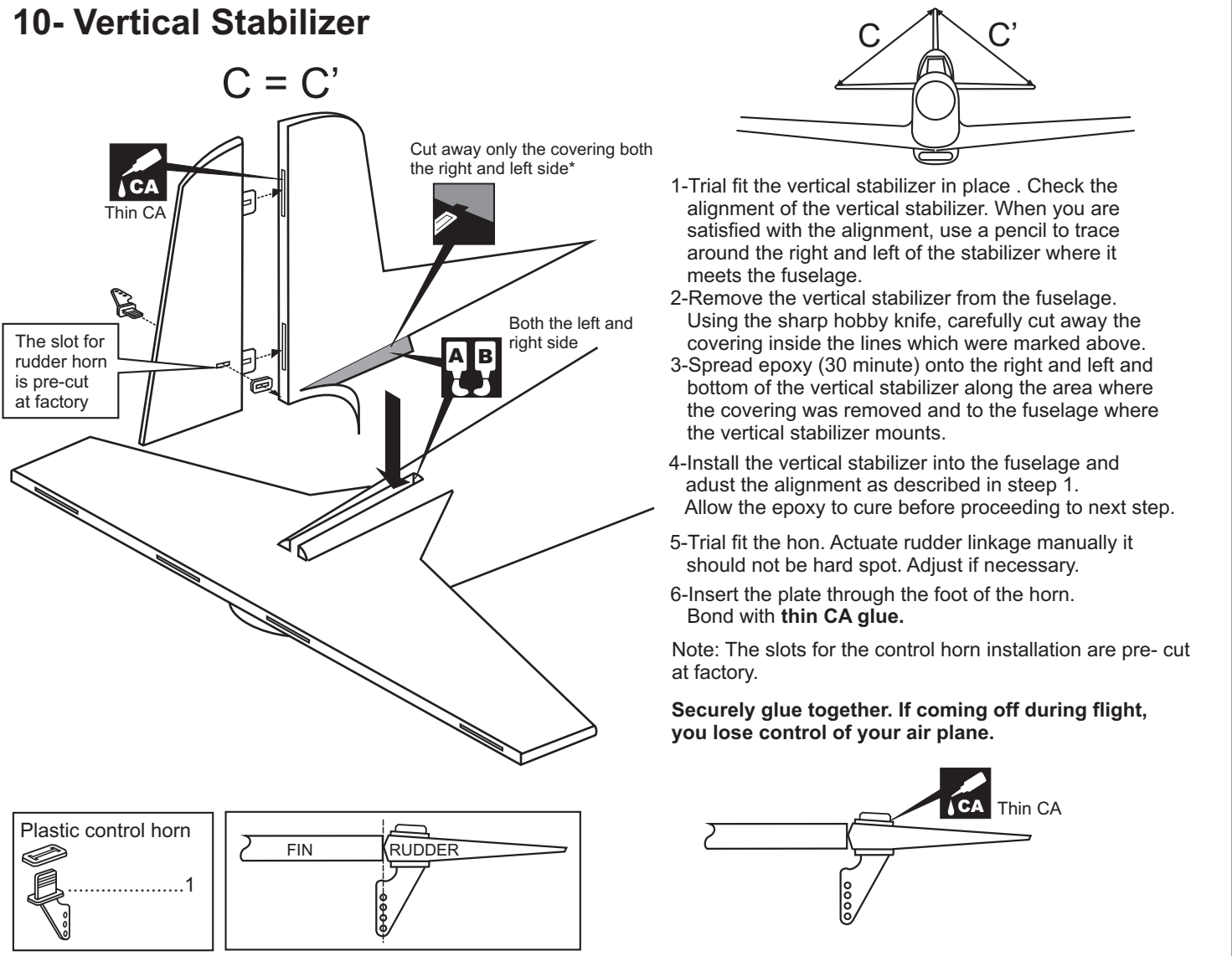
3-Spread epoxy (30 minute) onto the top and bottom of the horizontal stabilizer along the area where the covering was removed and to the fuselage where the horizontal stabilizer mounts.

4-Install the horizontal stabilizer into the fuselage and adjust the alignment as described in step 1.

IMPORTANT: Please do not clean off the excess epoxy with strong solvent or pure alcohol, only use kerosene to keep the colour of your model not fade.

*** WARNING:** When removing any covering from the airframe, please ensure that you secure the cut edge with CA or similar cement. This will ensure the covering remain tight.

10- Vertical Stabilizer



1-Trial fit the vertical stabilizer in place . Check the alignment of the vertical stabilizer. When you are satisfied with the alignment, use a pencil to trace around the right and left of the stabilizer where it meets the fuselage.

2-Remove the vertical stabilizer from the fuselage. Using the sharp hobby knife, carefully cut away the covering inside the lines which were marked above.

3-Spread epoxy (30 minute) onto the right and left and bottom of the vertical stabilizer along the area where the covering was removed and to the fuselage where the vertical stabilizer mounts.

4-Install the vertical stabilizer into the fuselage and adjust the alignment as described in step 1. Allow the epoxy to cure before proceeding to next step.

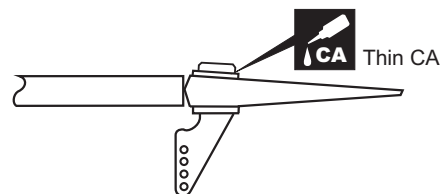
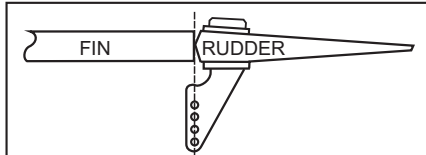
5-Trial fit the hon. Actuate rudder linkage manually it should not be hard spot. Adjust if necessary.

6-Insert the plate through the foot of the horn. Bond with **thin CA glue**.

Note: The slots for the control horn installation are pre-cut at factory.

Securely glue together. If coming off during flight, you lose control of your air plane.

Plastic control horn



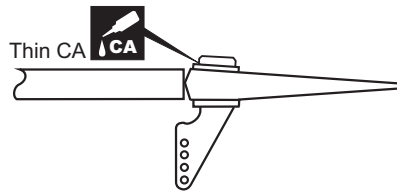
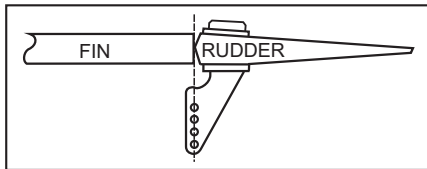
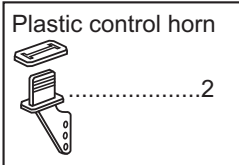
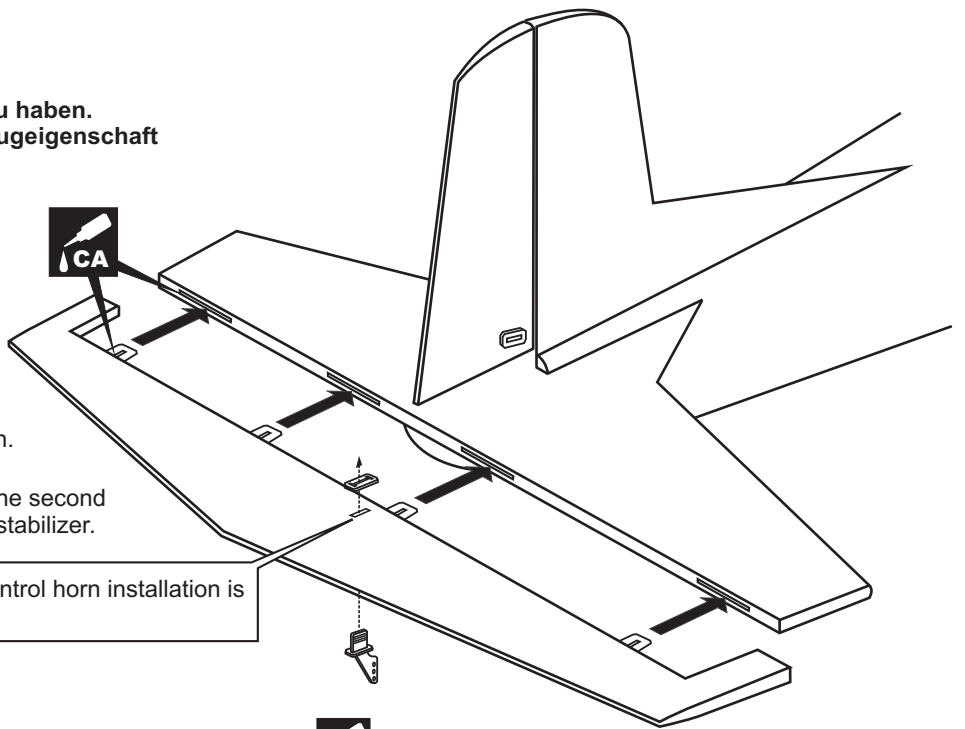
11- Elevator

Vergewissern Sie sich, sauber geklebt zu haben. Andernfalls können Probleme mit der Flugeigenschaft auftreten!

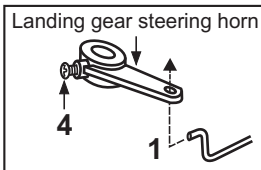
Securely glue together. If coming off during flight, you lose control of your air plane.

- 1-Trial fit the horn. Actuate rudder linkage manually it should not be hard spot. Adjust if necessary.
- 2-Insert the plate through the foot of the horn. Bond with **thin CA glue**.
- 3-Repeat the previous procedures to hinge the second elevator to the other side of the horizontal stabilizer.

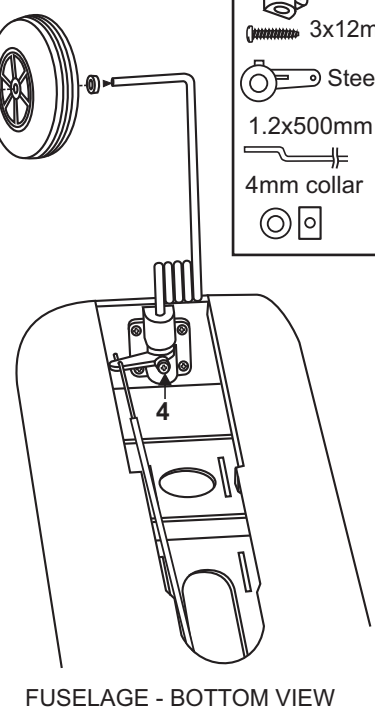
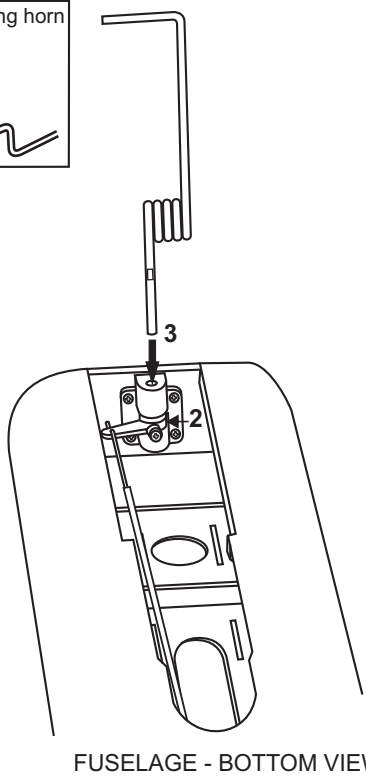
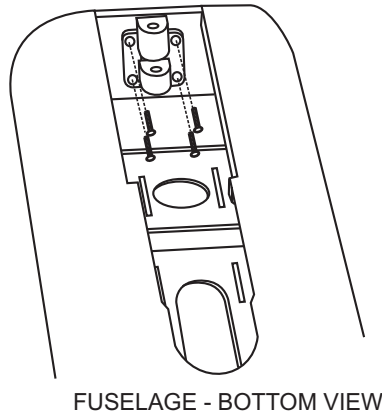
Note: The slot for the elevator control horn installation is pre-cut at factory.



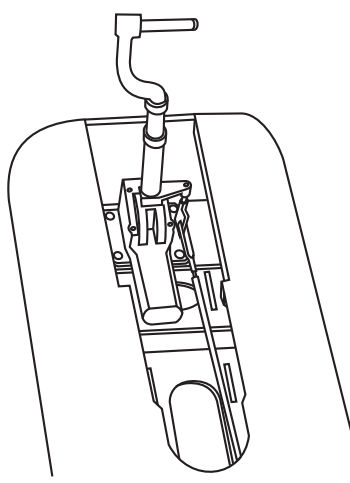
13- Nose gear



- Nose gear mount1
- 3x12mm screw...4
- Steering horn...1
- 1.2x500mm rod
-1
- 4mm collar
-2



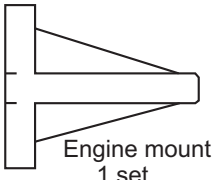
- 1-Pull the magnetic top hatch out of the fuselage, then turn the fuselage over and insert "Z" bend of steering linkage inside the hole of front landing gear steering horn.
- 2-Position the steering horn inside the front landing gear mount already attached to the firewall.
- 3-Slide front leg into the bearing and through the horn.
- 4-Screw steering horn on the leg.

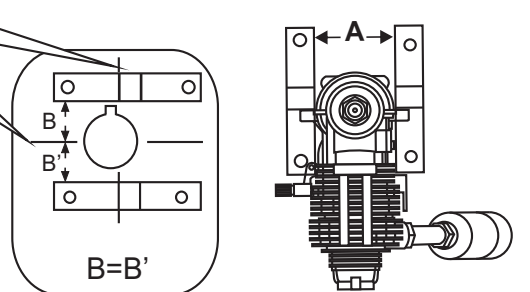


← With electric retract and struts (option).

13- Engine mount / Engine

! Align the mark on both mounts with the mark on the fuselage

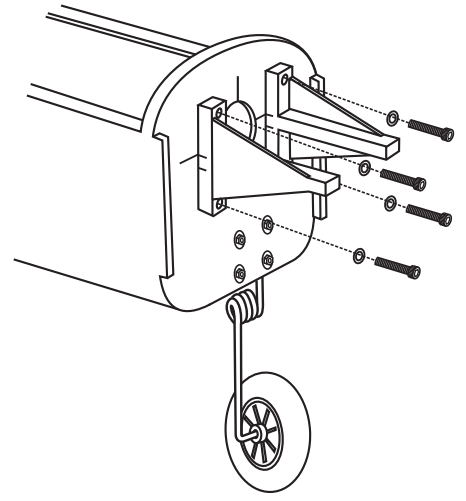
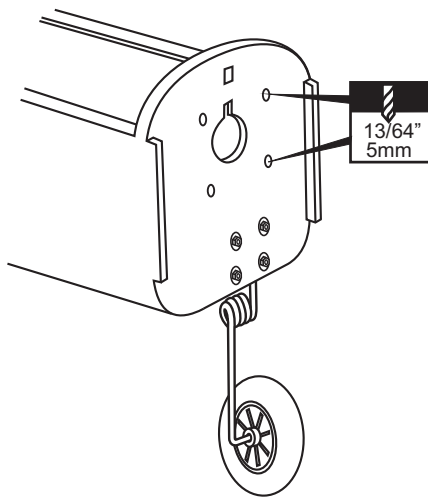
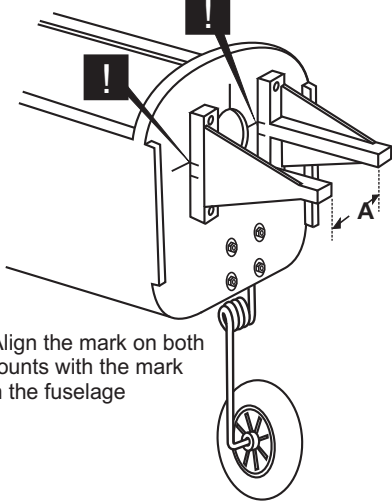
5/32x1"	1/8x5-1/64"	
4x25mm screw	3x20mm screw	
Blind-nut	1/8"(3mm) nut	
.....44	
Engine mount1 set		



Using a pencil or felt tipped pen, mark the fire wall where the four holes are to be drilled.

Remove the engine mount and drill a 13/64"(5mm) hole through the fire-wall at each of the four marks marked.

Reposition the engine mounts to the fire-wall. Attach the four blind-nut to the fire-wall as show. Secure them with four 4x25mm screw.

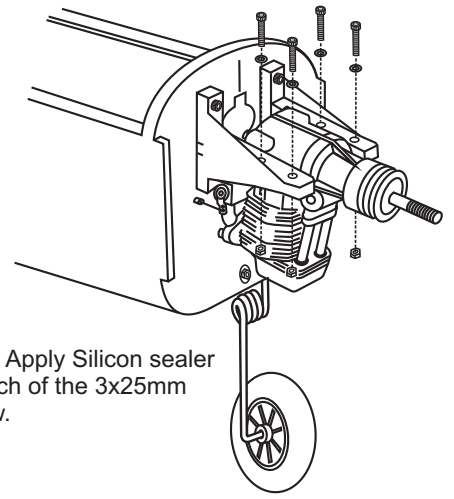
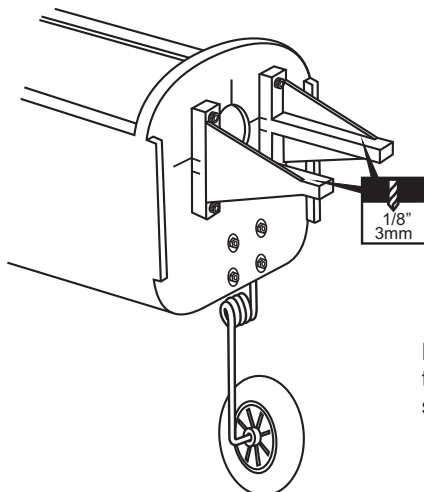
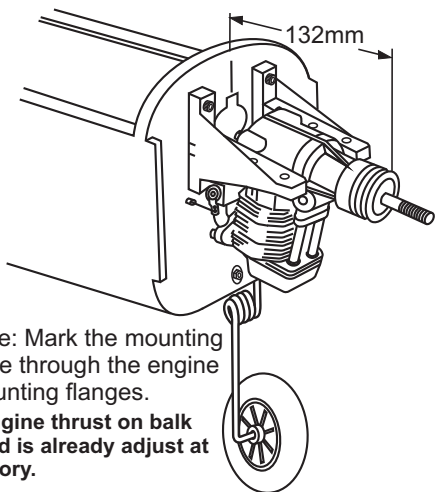


! Align the mark on both mounts with the mark on the fuselage

Position the engine on to the engine mounts so the distance from the prop hub to the fire-wall is 5.2"(132mm). Mark the engine mounting plate where the four holes are to be drilled.

Remove the engine and drill a 1/8"(3mm) holes through the beam at each of the four marks made above.

Reposition the engine on the engine mount beams, aligning it with the holes. Secure the engine to the engine mount using four 1/8x51/64"(3x25mm) screws.

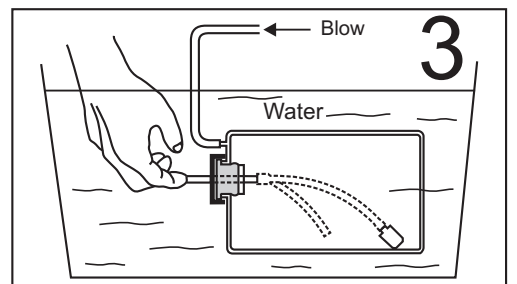
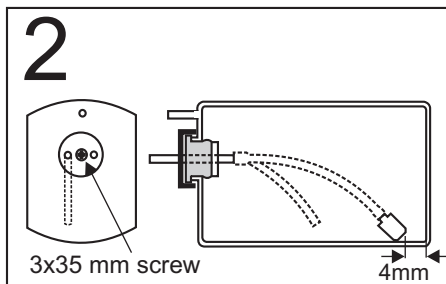
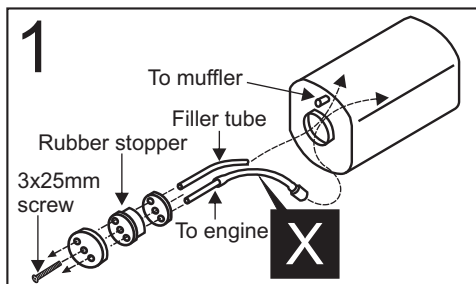


Note: Mark the mounting plate through the engine mounting flanges.

! Engine thrust on balk head is already adjust at factory.

Note: Apply Silicon sealer to each of the 3x25mm screw.

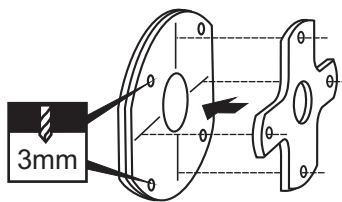
14- Fuel tank



After confirming the direction . Insert this assembly, clunk end first, into the fuel tank and tighten and screw the fuel tank cap on firmly. Ensure that the fuel tank clunk does not touch the rear of the fuel tank.

Checking for leaks - block the vents and blow into the feed - if in doubt submersing the tank in a blow of water will show up any problems.

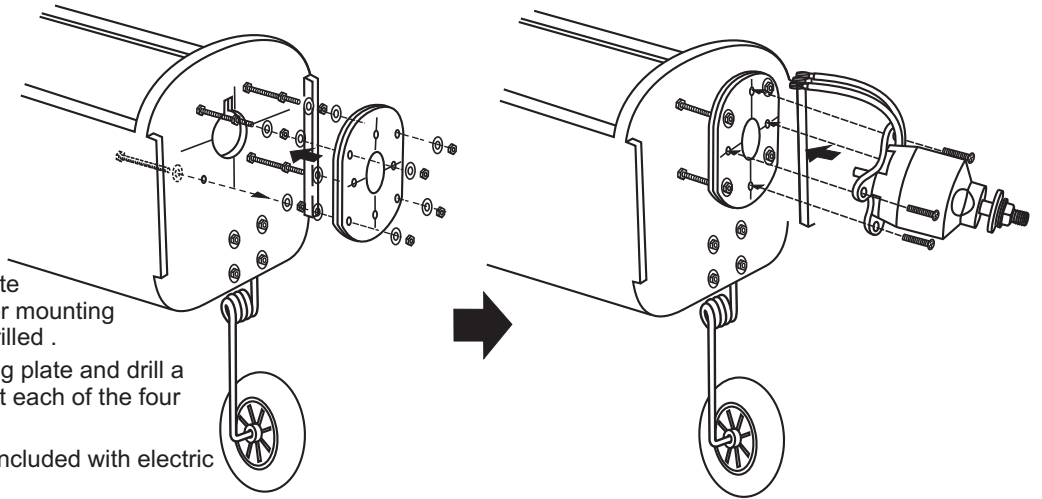
15- Electric Motor



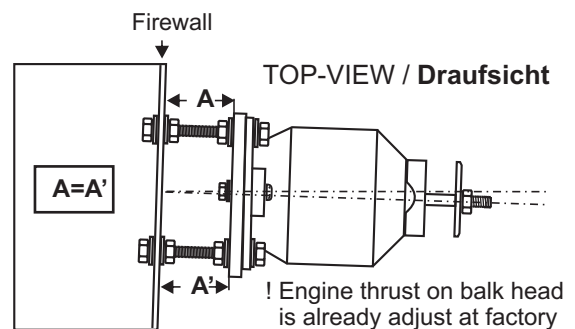
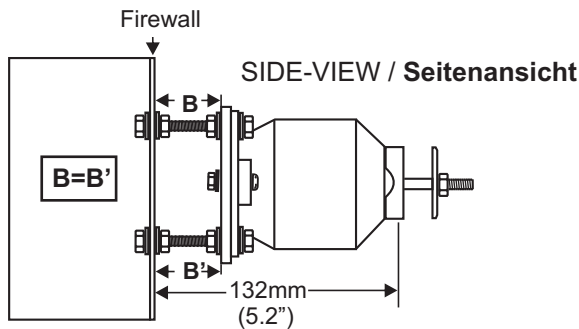
Using an aluminum motor mounting plate as a template, mark the plywood motor mounting plate where the four holes are to be drilled.

Remove the aluminum motor mounting plate and drill a 1/8" (3mm) hole through the plywood at each of the four marks marked.

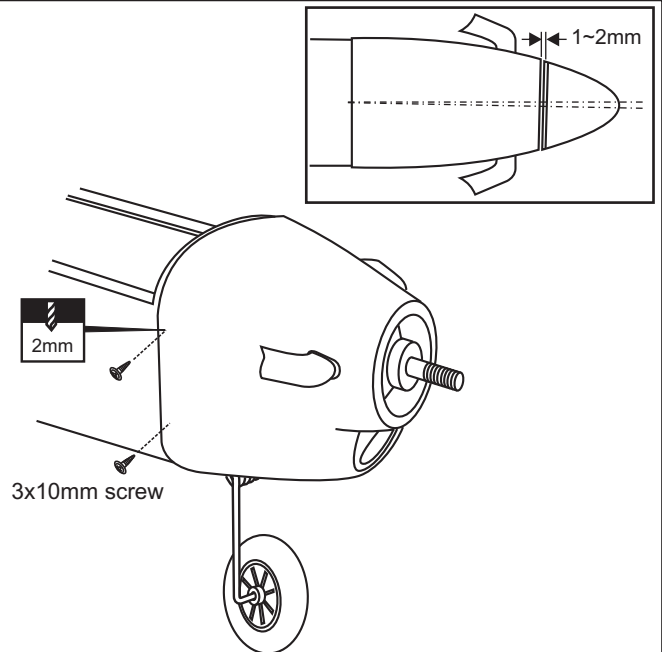
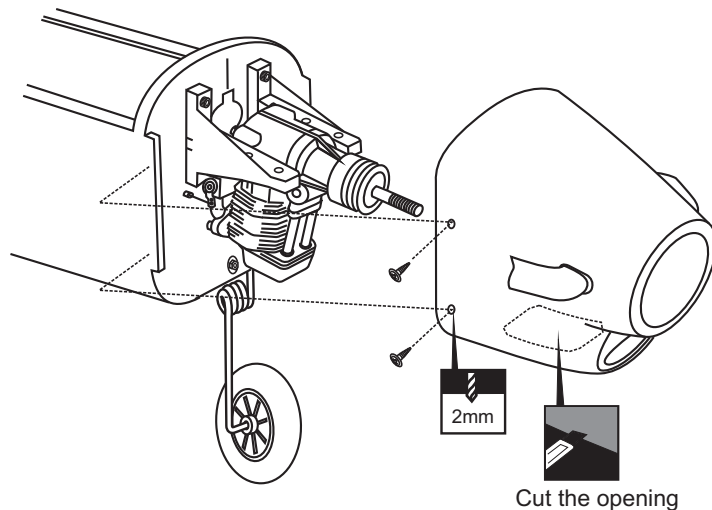
Note: The aluminum motor mounting included with electric motor set.



- 5x90mm.....4
- 5mm nut.....12
- 5mm washer...16
- 3mm screw/nut...4

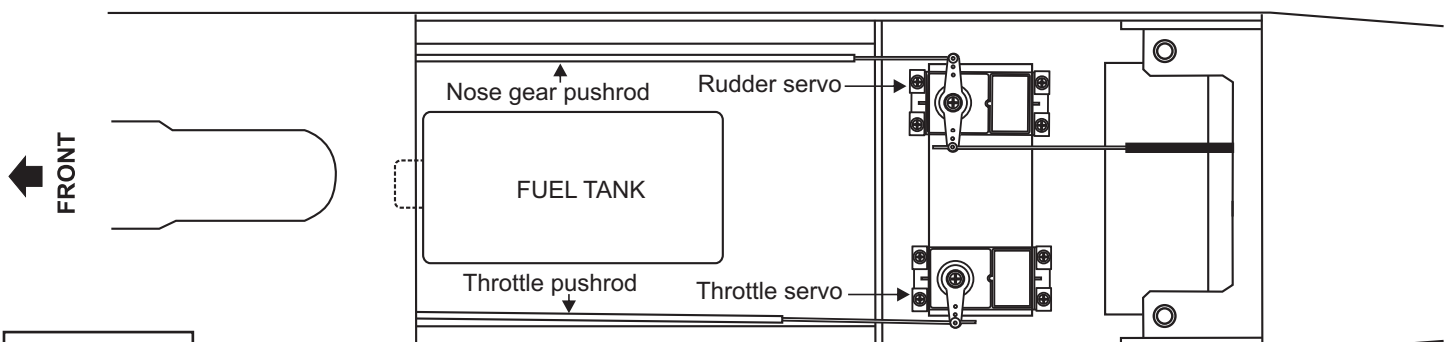


16- Cowling



17- Servo - linkage

FUSELAGE - BOTTOM VIEW (GP version)

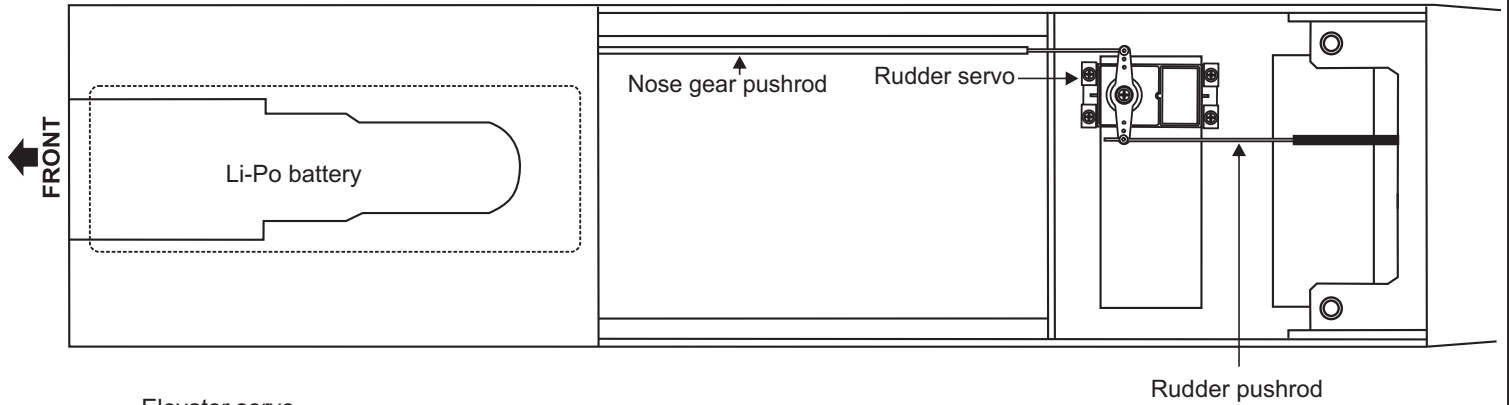


- Connector
- ...3

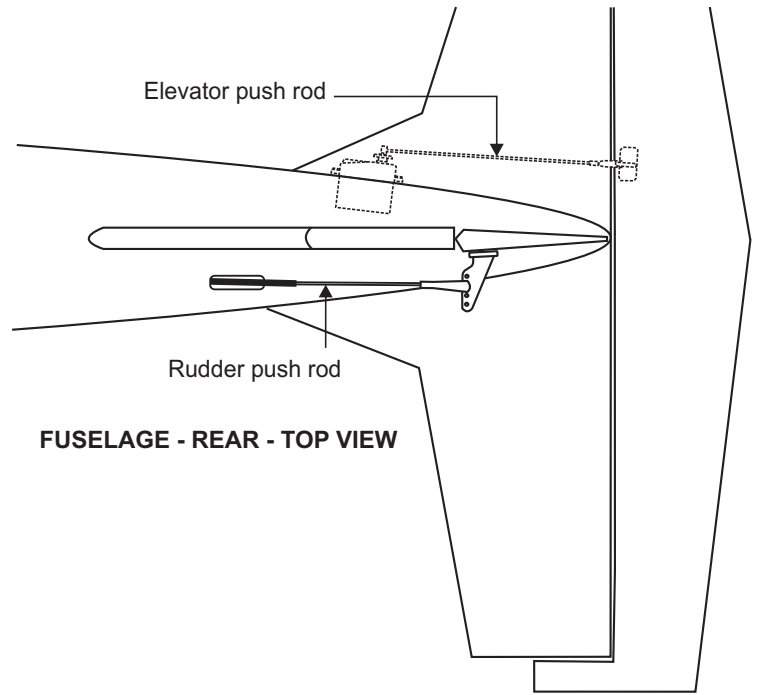
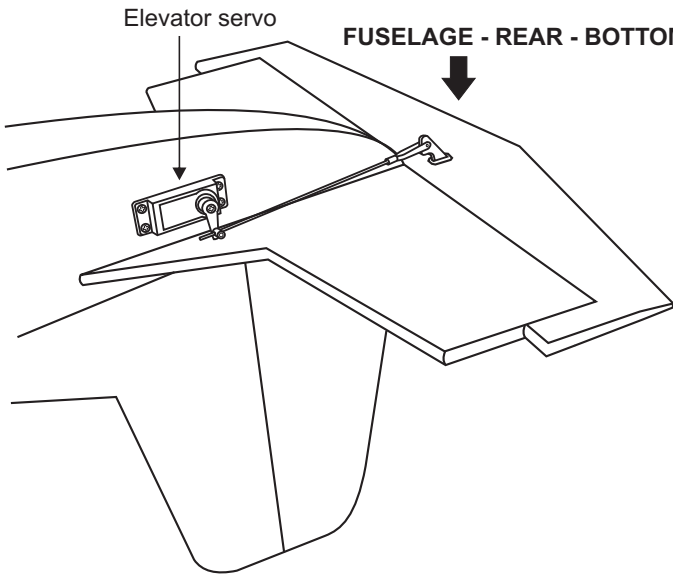
Shift the location of the fuel tank, battery pack as needed to obtain the specified CG.



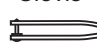
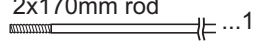


18- Servo - linkage

FUSELAGE - BOTTOM VIEW (EP version)




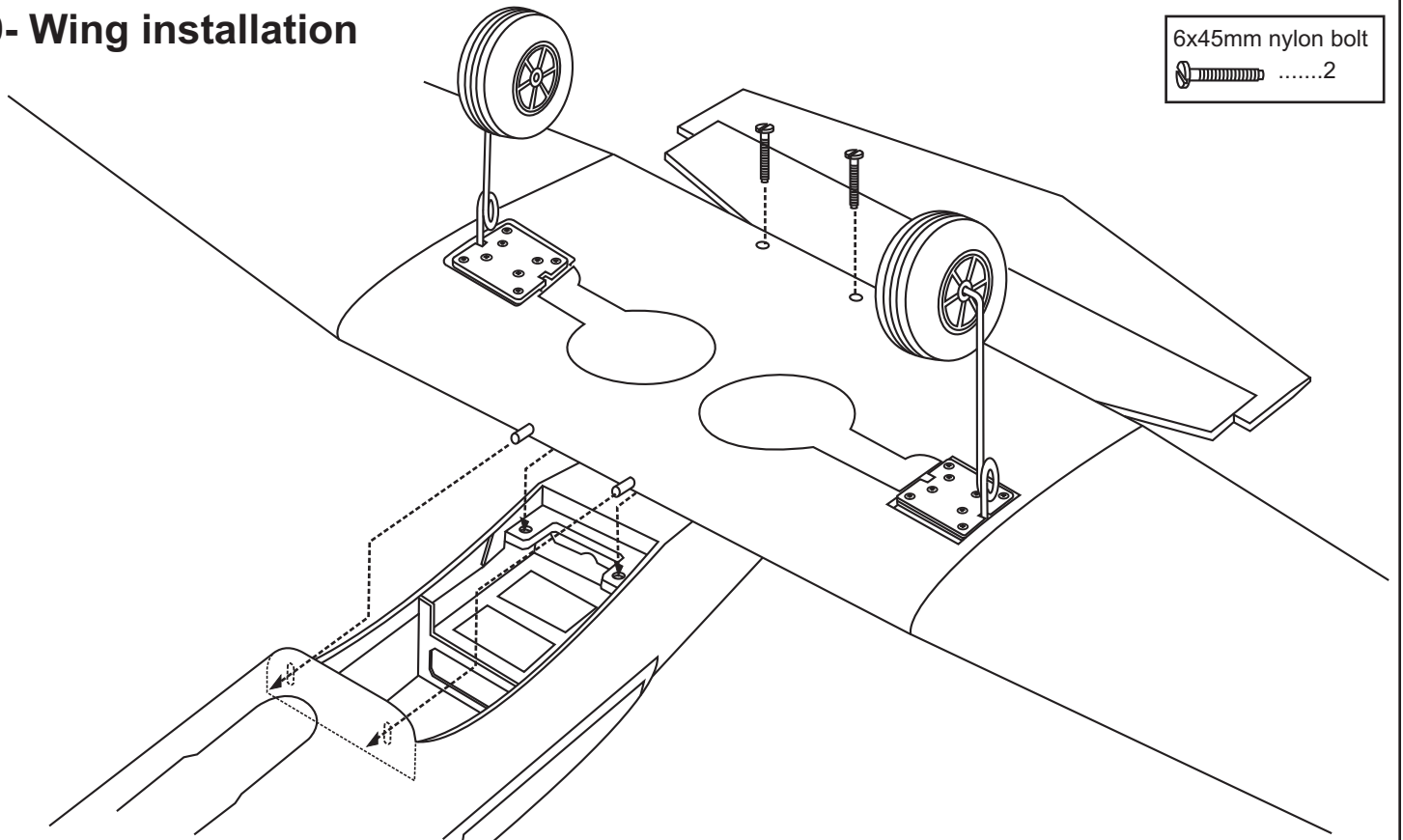
FUSELAGE - REAR - BOTTOM VIEW



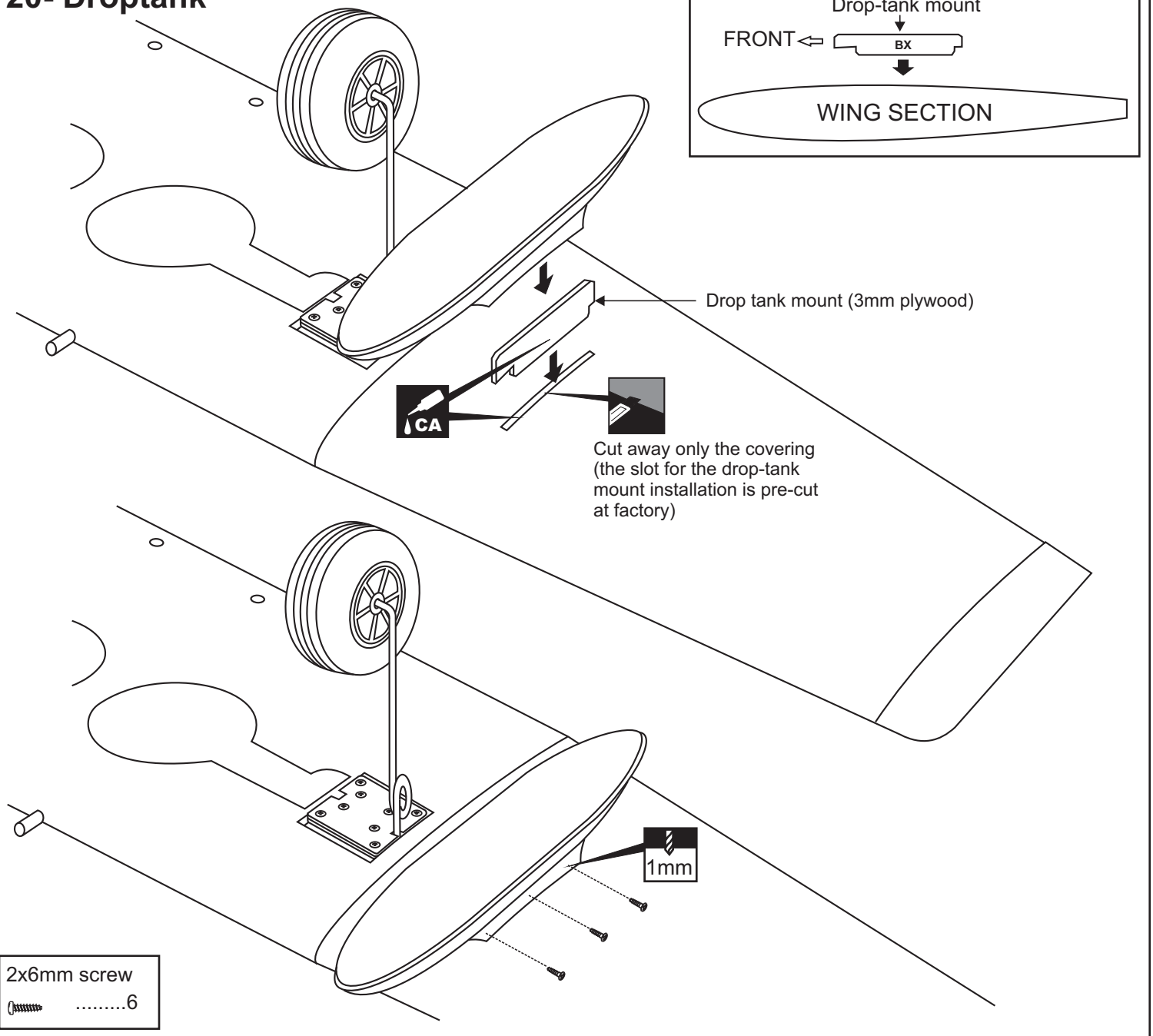
- | | | |
|--|--|--|
| 1
1 | 1
1 | 1
1 |
|--|--|--|

19- Wing installation

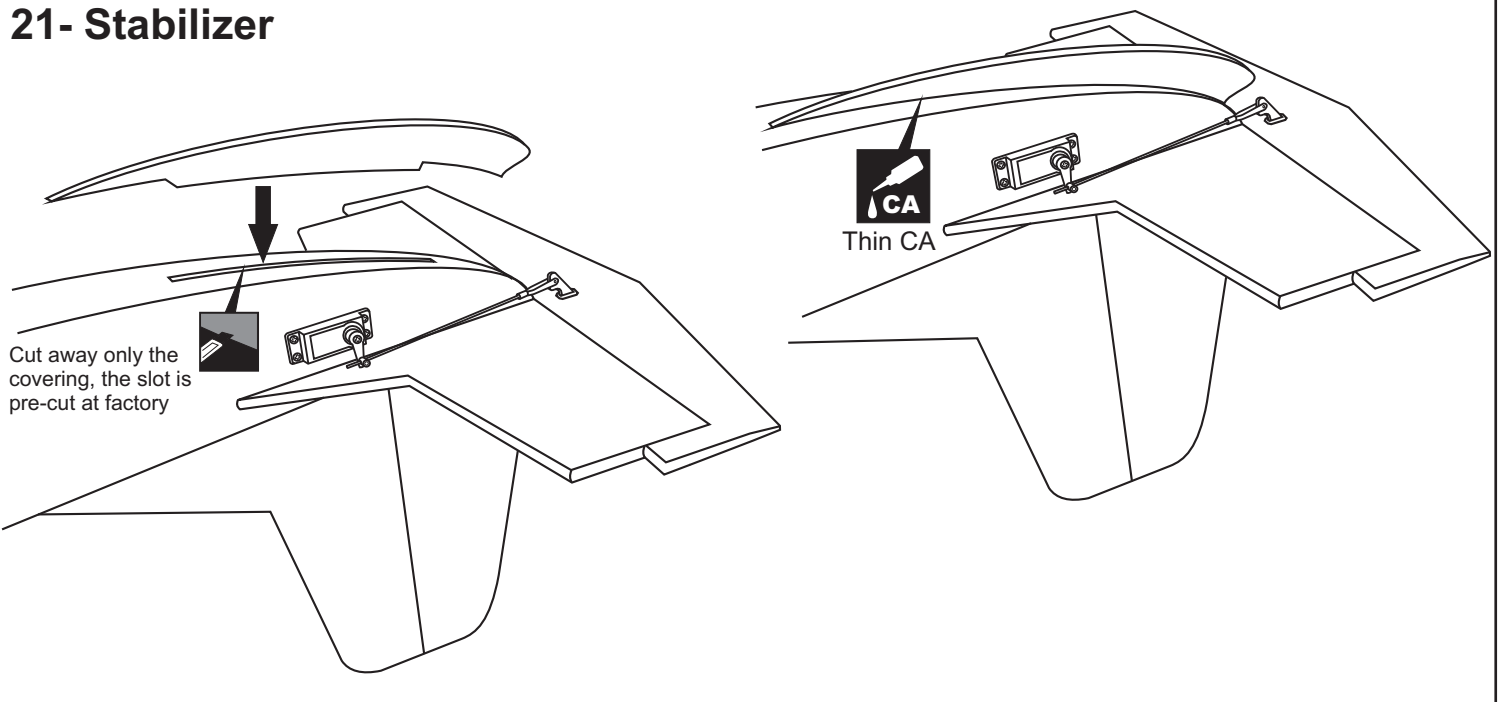
- 6x45mm nylon bolt2
- 



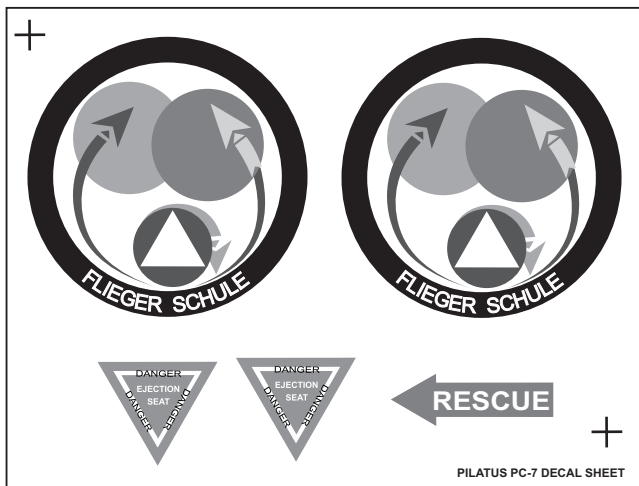
20- Droptank



21- Stabilizer



22- Sticker

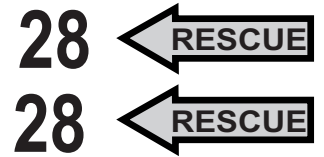


For PC-7 Austria Air-force version

See the top of the box for apply the stiker

Note: Cut out the stickers and apply them in the proper area. Do not peel the backing paper off all at once. Peel off one corner of the backing and cut off with scissors. Arrange sticker on model and when satisfied adhere the corner without backing. Carefully peel back the rest of the backing while at the same time adhering the rest of the sticker.

Try not to make air bubbles, if there are some, carefully puncture sticker (center of bubble) but not model surface with the tip of the knife or sharp pin and squeeze out the air. At curves stretch sticker and apply a little heat so that no ceases occur. Cut off the excess that is produced.

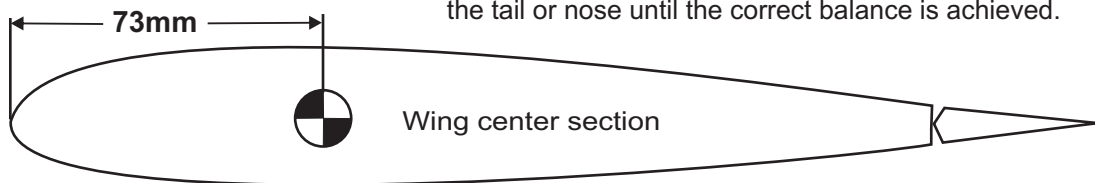


For PC-7 Swiss Air-force version

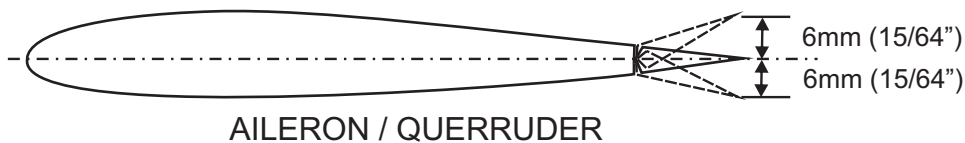
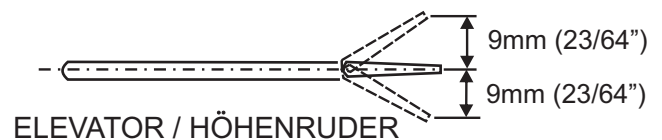
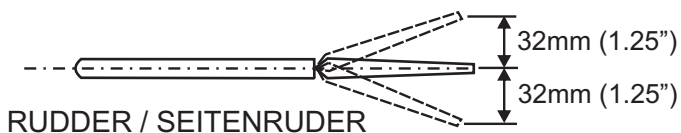
23- Balance

DO NOT try to fly an out-of-balance model !

Note: If necessary, move the battery pack or add weight to either the tail or nose until the correct balance is achieved.



24- Control Surface



IMPORTANT: Flying your model at these throws will provide you with the greatest chance for successful first flight. If, after you have become accustomed to the way the PC-7 flies, you would like to change the throws to suit your taste that is fine. However, too much control throw could make the model difficult to control, so remember, " more is not always better".

WARNING: Please do not clean your model with pure alcohol, only use liquid soap with water or use glass cleaner to clean on surface of your model to keep the colour not fade.

All details are subject to change without notice !

Technische Änderungen und Irrtümer vorbehalten !