

Radio control model / R/C Flugmodell

26 - 30cc Gas Engine

Or Electric equivalent

INSTRUCTION MANUAL MONTAGEANLEITUNG

DE HAVILLAND DHC 2 BEAVER



SPECIFICATIONS

Wingspan	112in.
Length	68 in.
Gas Engine	26 - 30cc
Radio	6 Channel / 8 Servos

TECHNISCHE DATEN

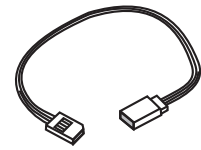
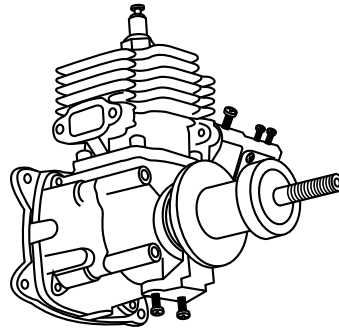
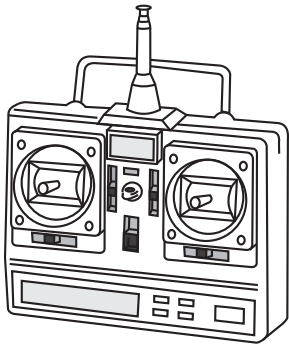
Spannweite	2.850mm
Länge	.727mm
Verbrennerantrieb	26 - 30cc
Fernsteuerung	6 Kanal / 8 Servos



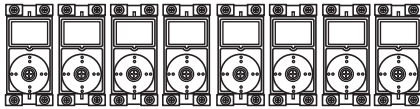
WARNING! This radio controlled model is NOT a toy. If modified or flown carelessly it could go out of control and cause serious human injury or property damage. Before flying your airplane, ensure the air field is spacious enough. Always fly it outdoors in safe areas and seek professional advice if you are unexperienced.

ACHTUNG! Dieses ferngesteuerte Modell ist KEIN Spielzeug! Es ist für fortgeschrittene Modellflugpiloten bestimmt, die ausreichende Erfahrung im Umgang mit derartigen Modellen besitzen. Bei unsachgemäßer Verwendung kann hoher Personen- und/oder Sachschaden entstehen. Fragen Sie in einem Modellbauverein in Ihrer Nähe um professionelle Unterstützung, wenn Sie Hilfe im Bau und Betrieb benötigen. Der Zusammenbau dieses Modells ist durch die vielen Abbildungen selbsterklärend und ist für fortgeschrittene, erfahrene Modellbauer bestimmt.

REQUIRED FOR OPERATION (Purchase separately) BENÖTIGTE KOMPONENTEN FÜR DEN ABFLUG (Nicht enthalten)



Extension for aileron servo, Flap servo.



Gas Engine: 26 ~ 30cc



Nylon tube

Minimum 6 channel radio for airplane with 8 servos
 .Motor control x1 .Aileron x2
 .Elevator x2 .Rudder x1
 .Flap x 2

GLUE (Purchase separately)



Silicon sealer

Cyanoacrylate Glue
Klebstoff




Epoxy Glue (5 minute type)
Epoxy-Klebstoff (5min-Typ)



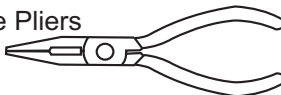
Epoxy Glue (30 minute type)
Epoxy-Klebstoff (30min-Typ)

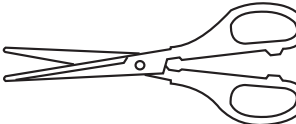
TOLLS REQUIRED (Purchase separately)


Hobby knife 

Phillip screw driver 

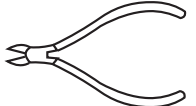
Hex Wrench 

Needle nose Pliers 

Scissors 

Awl 

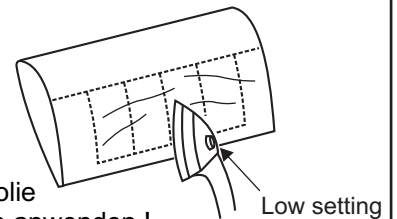
Sander 

Wire Cutters 

Masking tape - Straight Edged Ruler - Pen or pencil - Drill and Assorted Drill Bits

If exposed to direct sunlight and/or heat, wrinkles can appear. Storing the model in a cool place will let the wrinkles disappear. Otherwise, remove wrinkles in covering film with a hair dryer, starting with low temperature. You can fix the corners by using a hot iron.

Bei Sonneneinstrahlung und/oder Wärme kann die Folie erschlaffen bzw. Falten entstehen. Verwenden Sie ein Warmluftgebläse (Haartrockner) um evtl. Falten aus der Folie zu bekommen. Die Kanten können Sie mit einem Bügeleisen behandeln. Nicht zuviel Hitze anwenden !



 Drill holes using the stated size of drill (in this case 1.5 mm Ø)	 Take particular care here	 Hatched-in areas: remove covering film carefully	 Check during assembly that these parts move freely, without binding
 Use epoxy glue	 Apply cyano glue	 Assemble left and right sides the same way.	 Not included. These parts must be purchased separately

 1.5mm Löcher bohren mit dem angegebenen Bohrer (hier 1,5 mm)	 Hier besonders aufpassen	 Schraffierte Stellen, Bespannfolie vorsichtig entfernen	 Während des Zusammenbaus immer prüfen, ob sich die Teile auch reibungslos bewegen lassen
 Epoxy-Klebstoff verwenden	 Sekundenkleber auftragen	 Linke und rechte Seite wird gleichermaßen zusammengesetzt	 Nicht enthalten. Teile müssen separat gekauft werden.

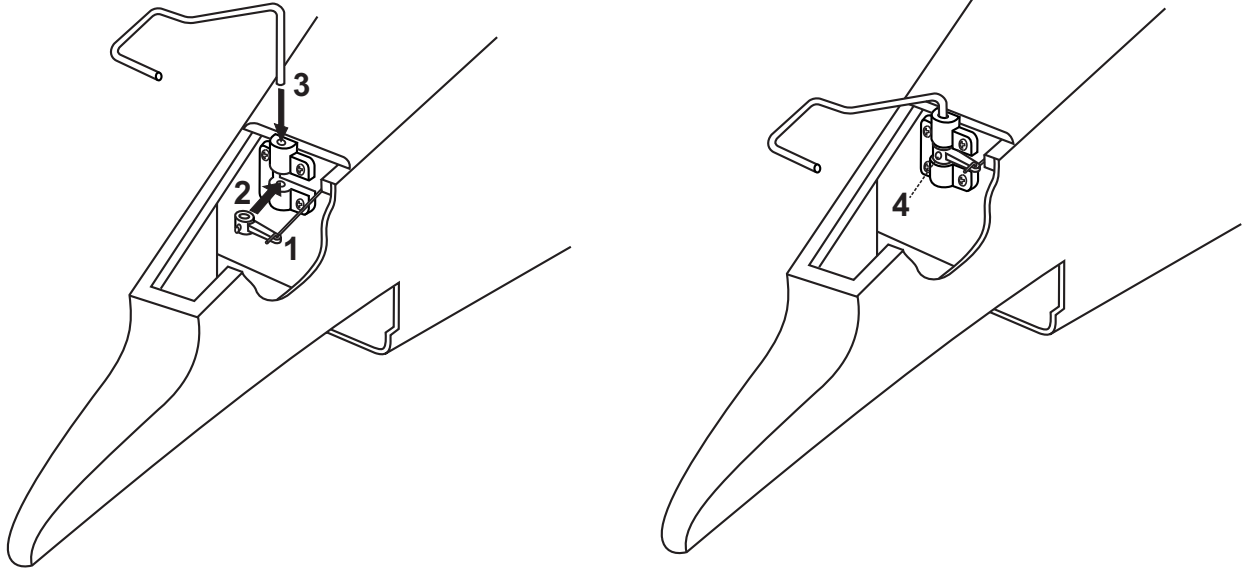
Read through the manual before you begin, so you will have an overall idea of what to do.

CONVERSION TABLE

1.0mm = 3/64"	3.0mm = 1/8"	10mm = 13/32"	25mm = 1"
1.5mm = 1/16"	4.0mm = 5/32"	12mm = 15/32"	30mm = 1-3/16"
2.0mm = 5/64"	5.0mm = 13/64"	15mm = 19/32"	45mm = 1-51/64"
2.5mm = 3/32"	6.0mm = 15/64"	20mm = 51/64"	

1- Tail gear / Heckspornrad

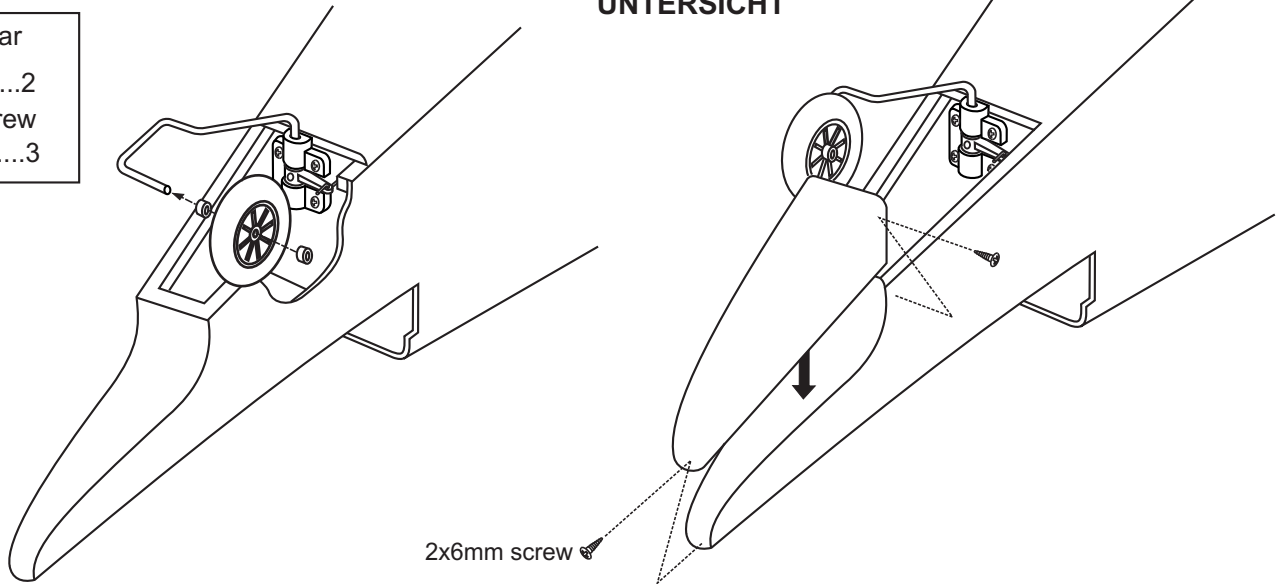
FUSELAGE - REAR - BOTTOM VIEW UNTERSICHT



6- Tail gear / Heckspornrad

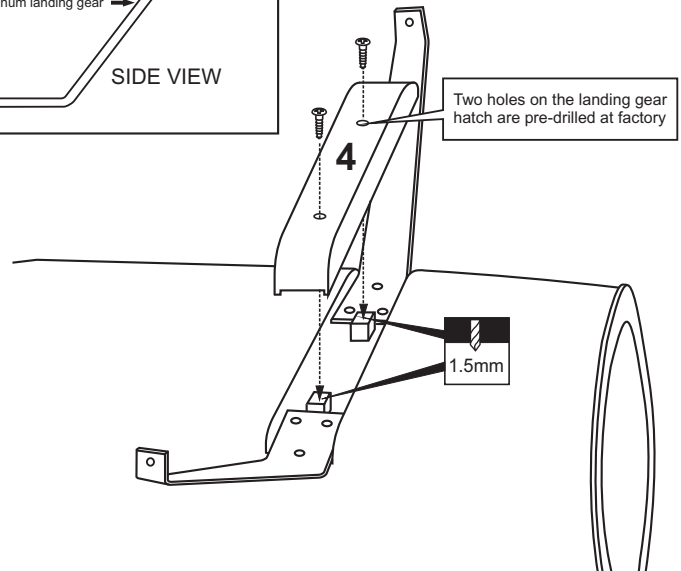
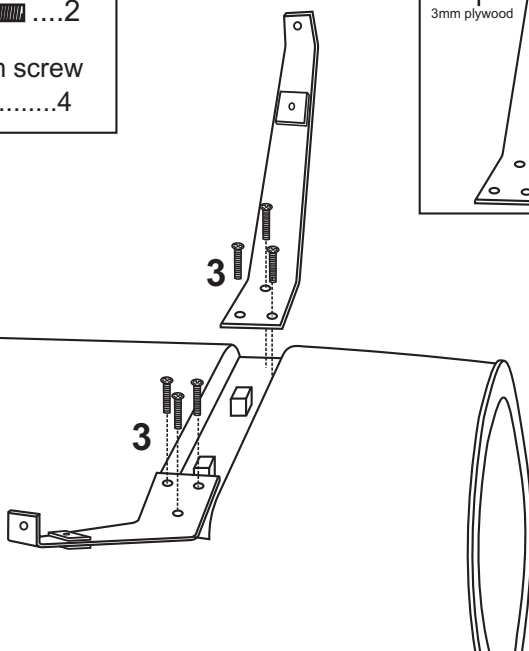
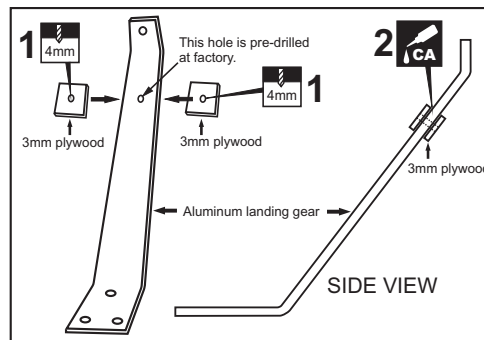
FUSELAGE - REAR - BOTTOM VIEW UNTERSICHT

- 2.5mm collar
-2
- 2x6mm screw
-3




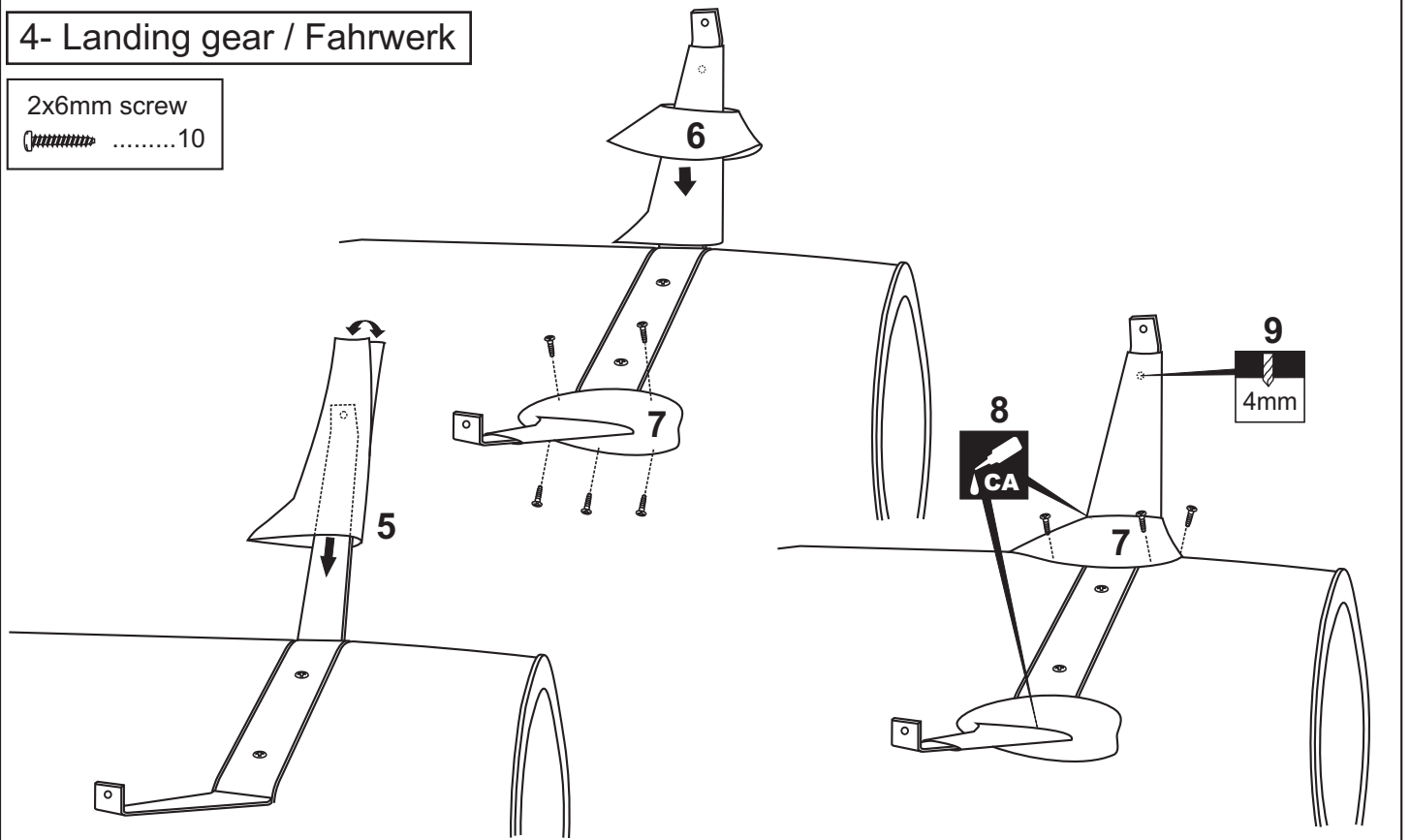
3- Landing gear / Fahrwerk

- 5X50mm screw
-2
- 3x10mm screw
-4







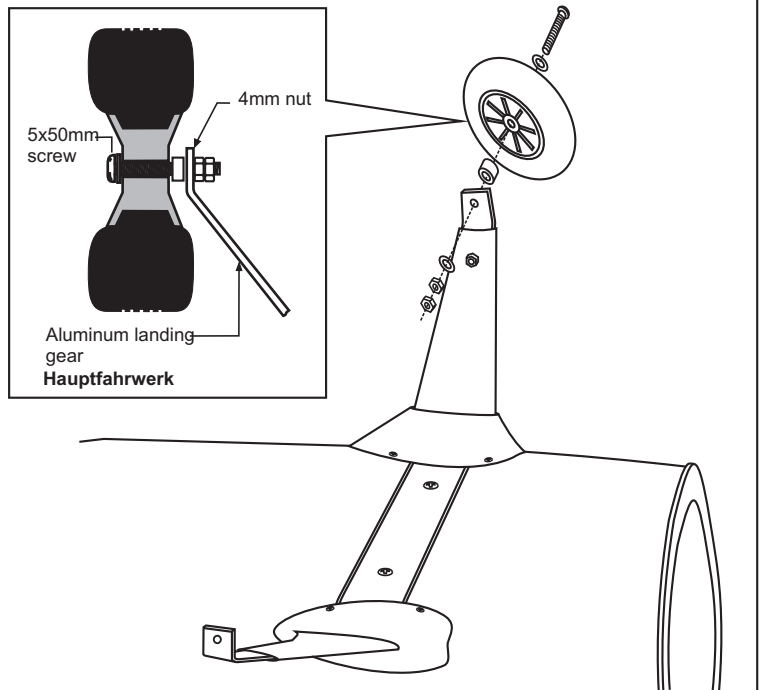
4- Landing gear / Fahrwerk

2x6mm screw
10



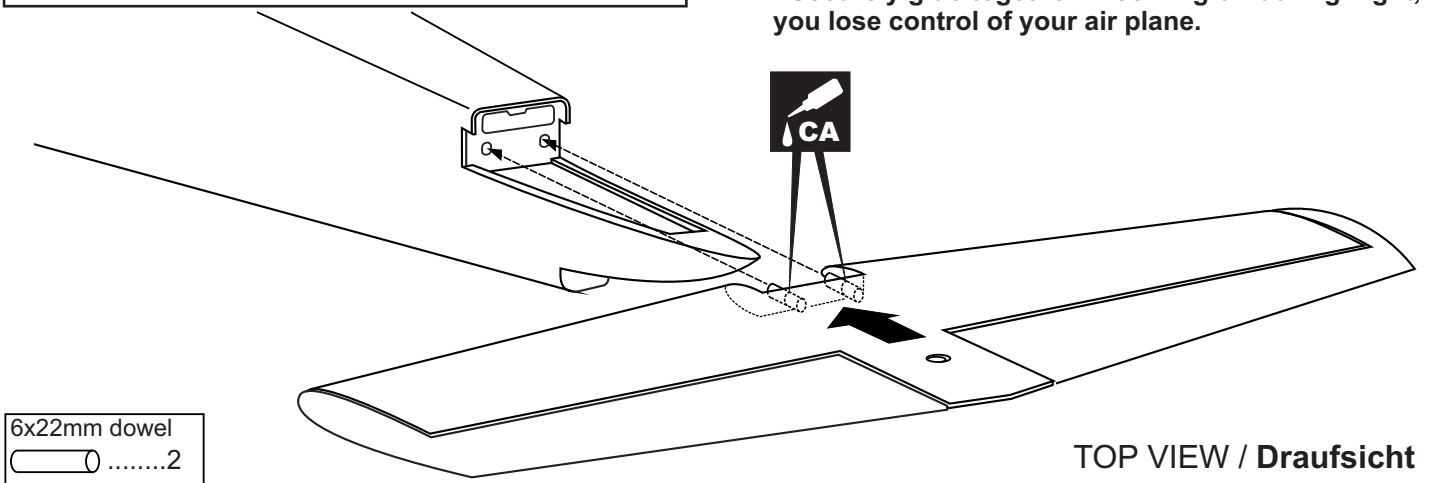
5- Landing gear / Fahrwerk

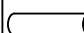
5X50mm screw
2
 5mm nut
4
 5mm washer
6
 5mm collar
2



6- Horizontal Stabilizer / Höhenleitwerk

! Securely glue together. If coming off during flight, you lose control of your air plane.

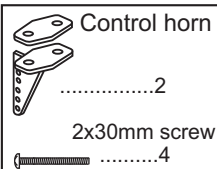
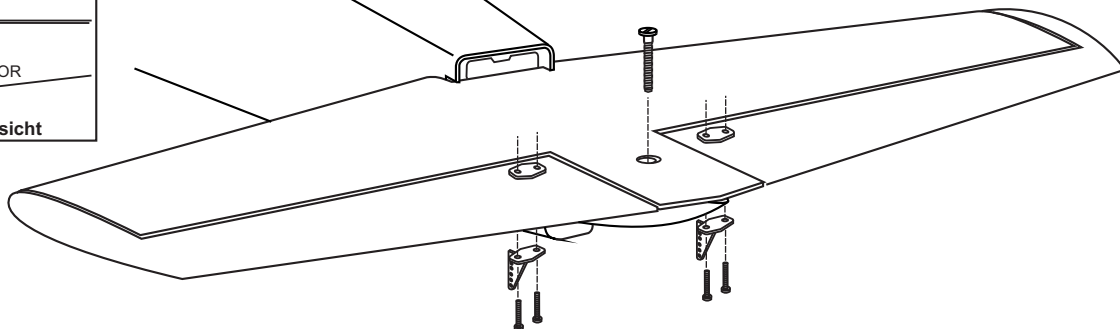
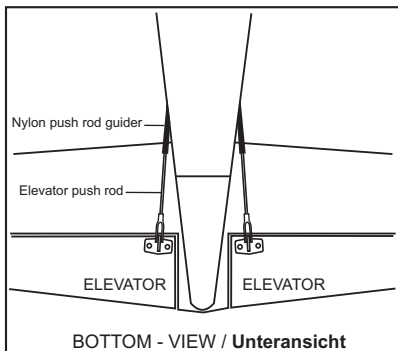


6x22mm dowel
2

TOP VIEW / Draufsicht

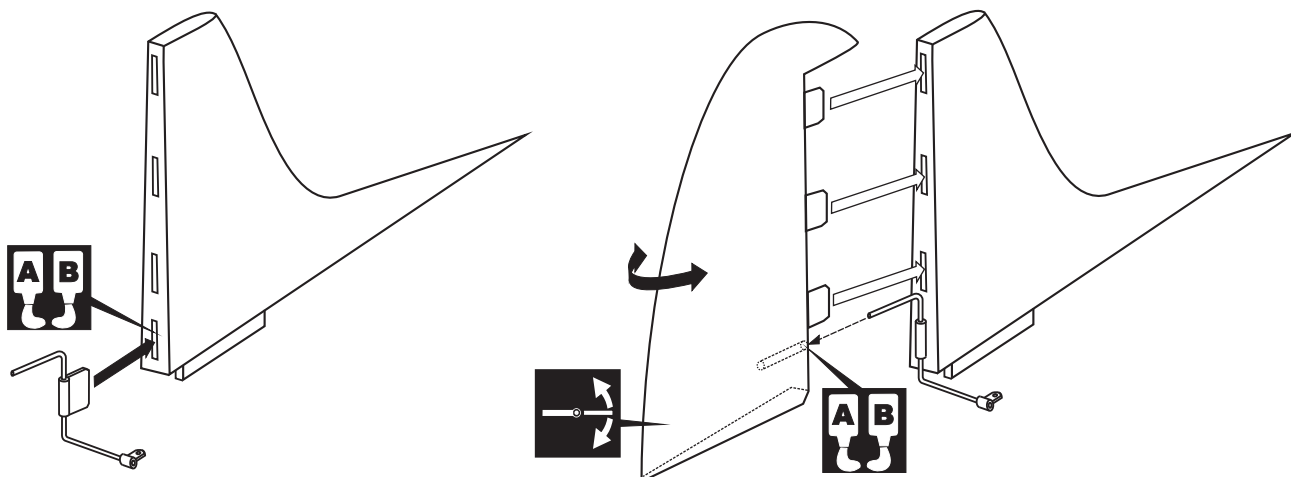
7- Horizontal Stabilizer / Höhenleitwerk

TOP VIEW / Draufsicht



8- Vertical Tail / Seitenruder

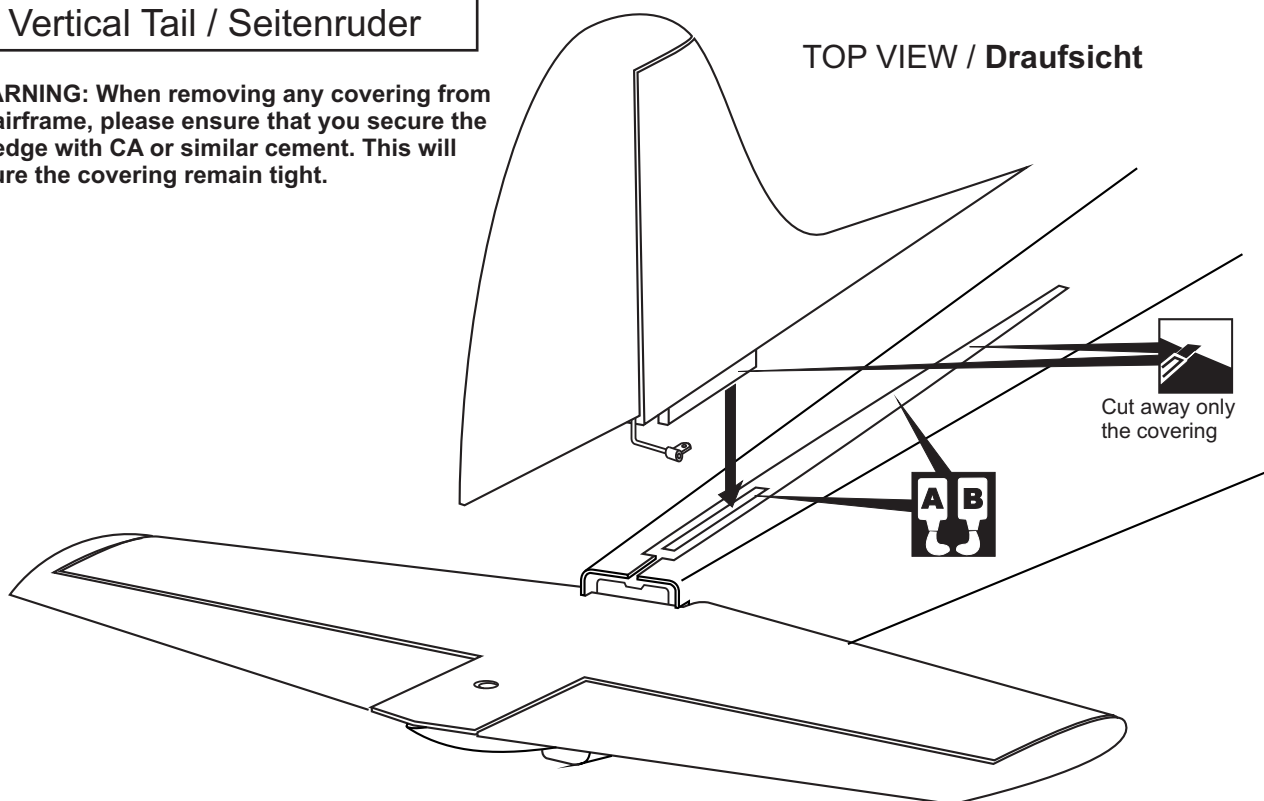
! Securely glue together. If coming off during flight, you lose control of your air plane.



9- Vertical Tail / Seitenruder

TOP VIEW / Draufsicht

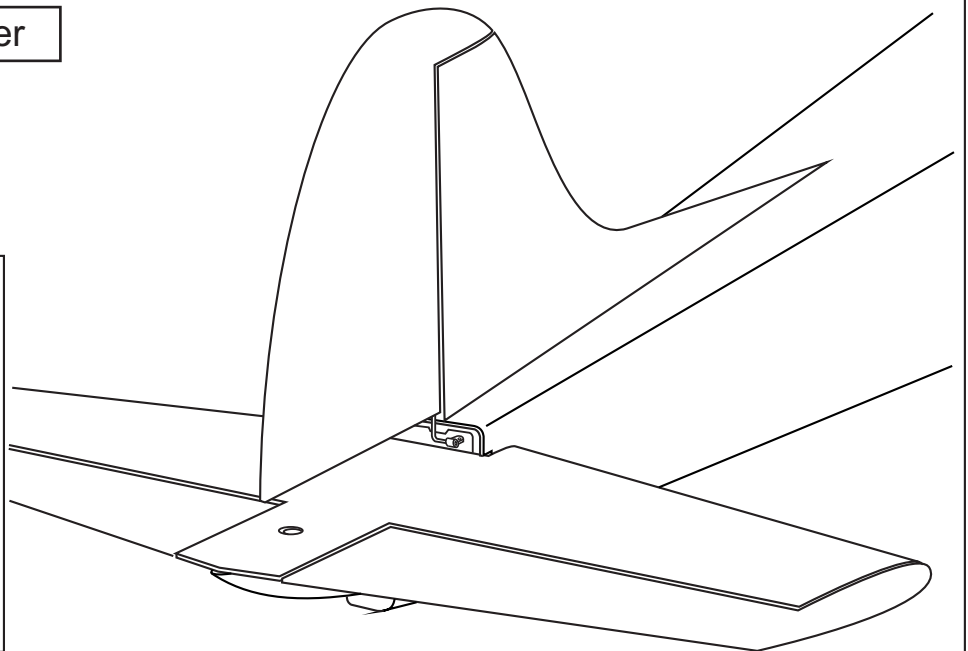
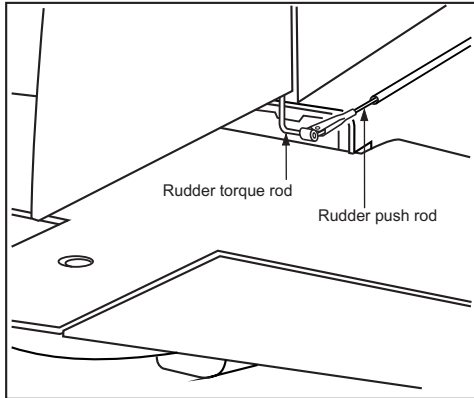
*** WARNING:** When removing any covering from the airframe, please ensure that you secure the cut edge with CA or similar cement. This will ensure the covering remain tight.



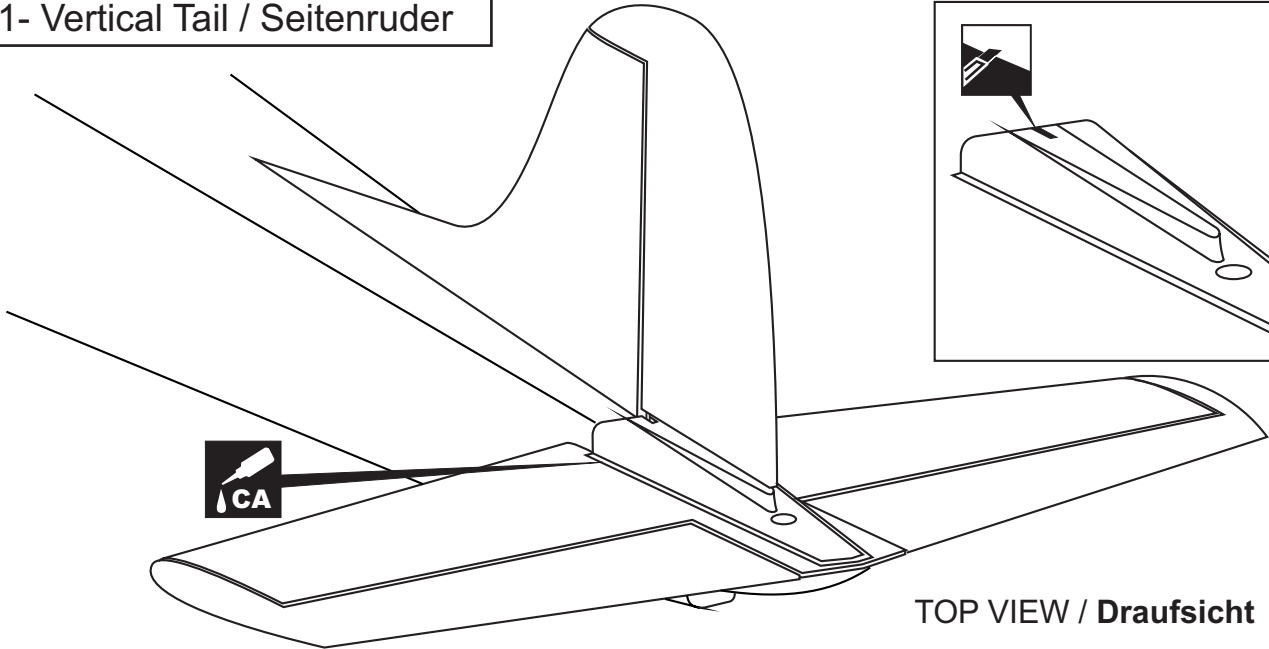
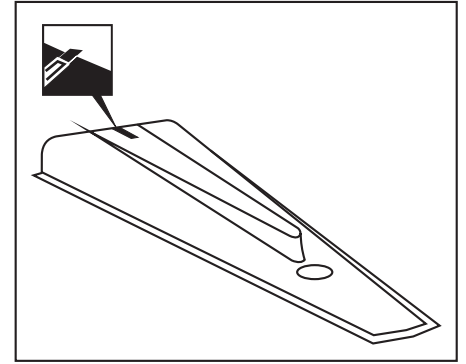
! Securely glue together. If coming off during flight, you lose control of your air plane.

10- Vertical Tail / Seitenruder

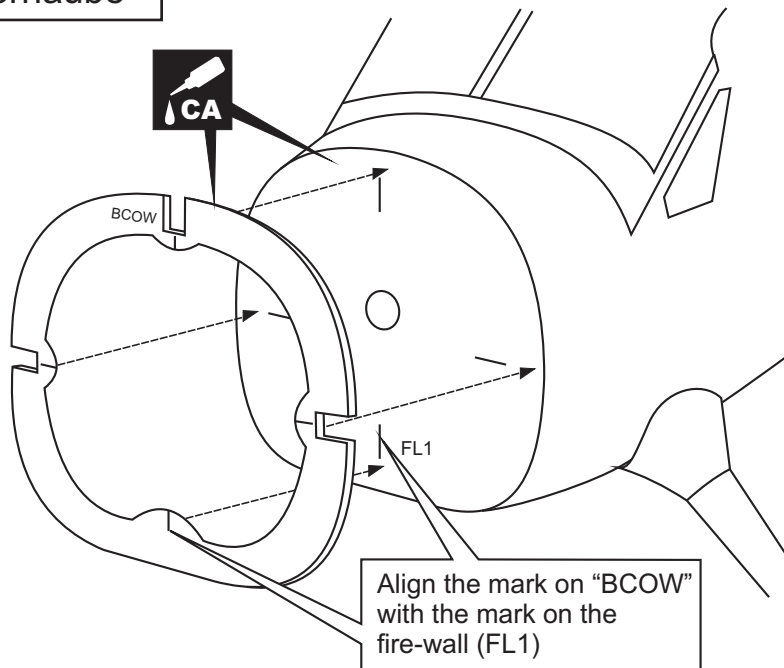
TOP VIEW / Draufsicht



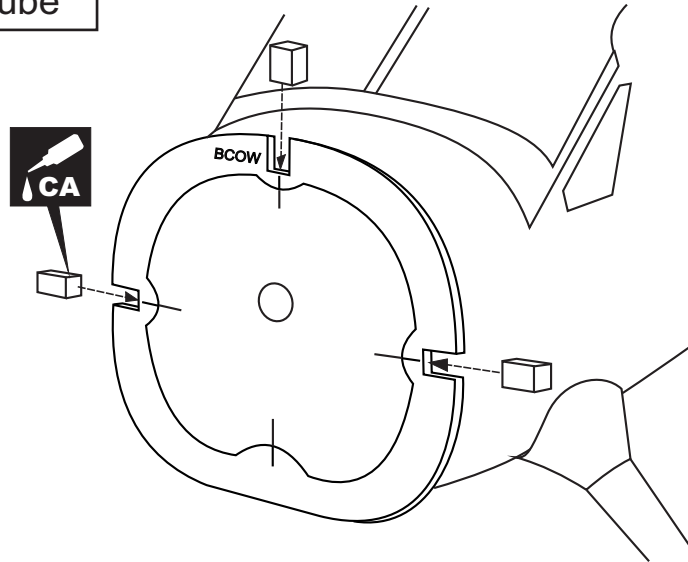
11- Vertical Tail / Seitenruder



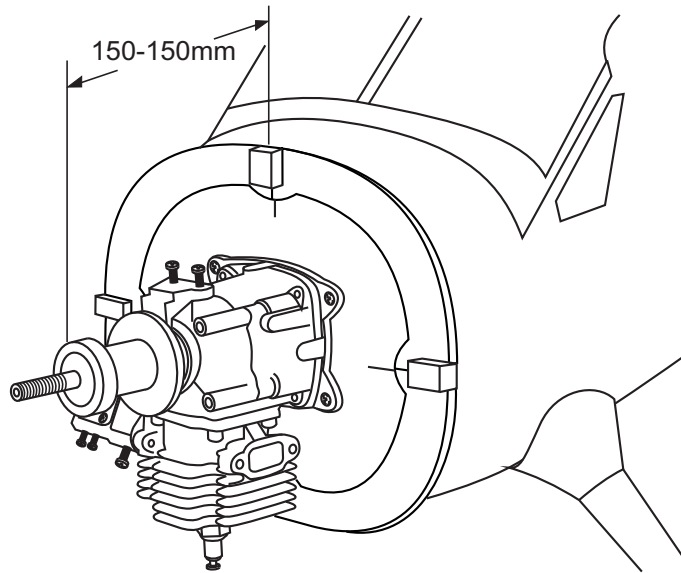
12- Cowling / Motorhaube



13- Cowling / Motorhaube

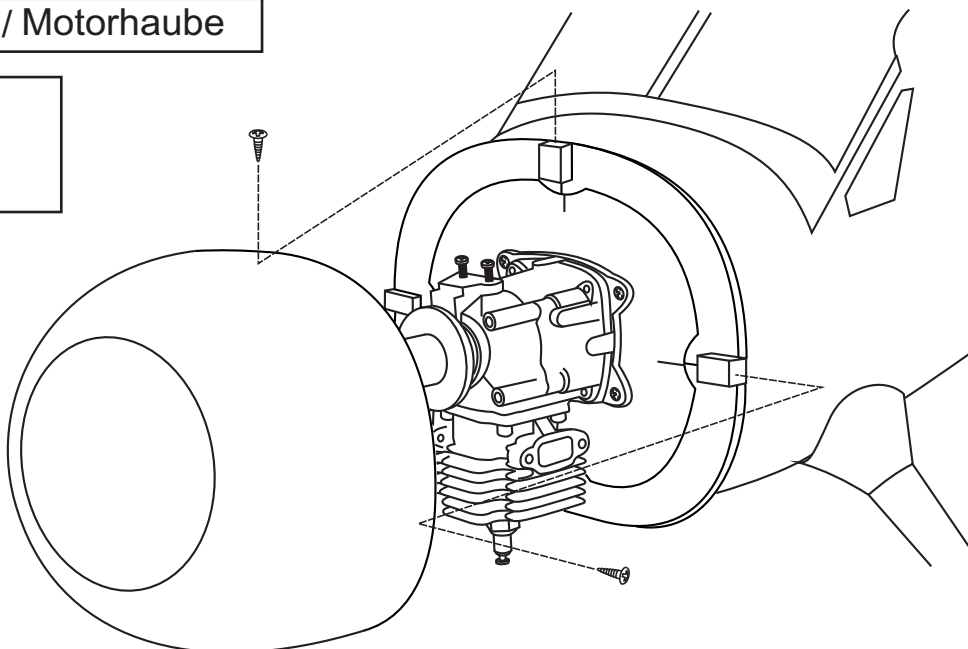


14- Engine / Motoreinbau

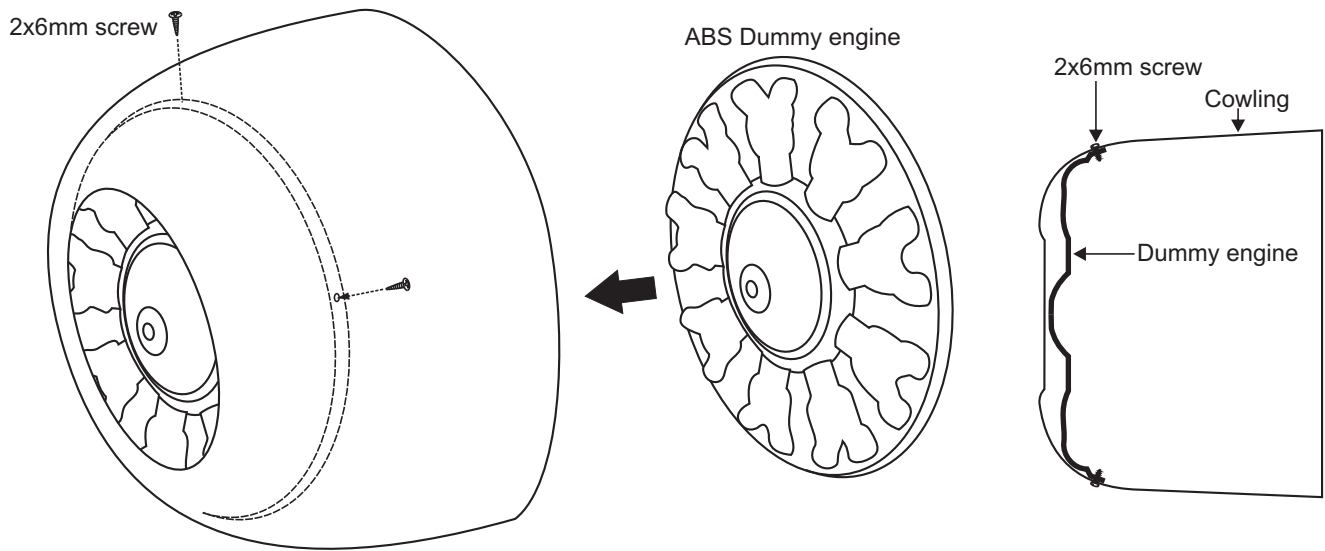


15- Cowling / Motorhaube

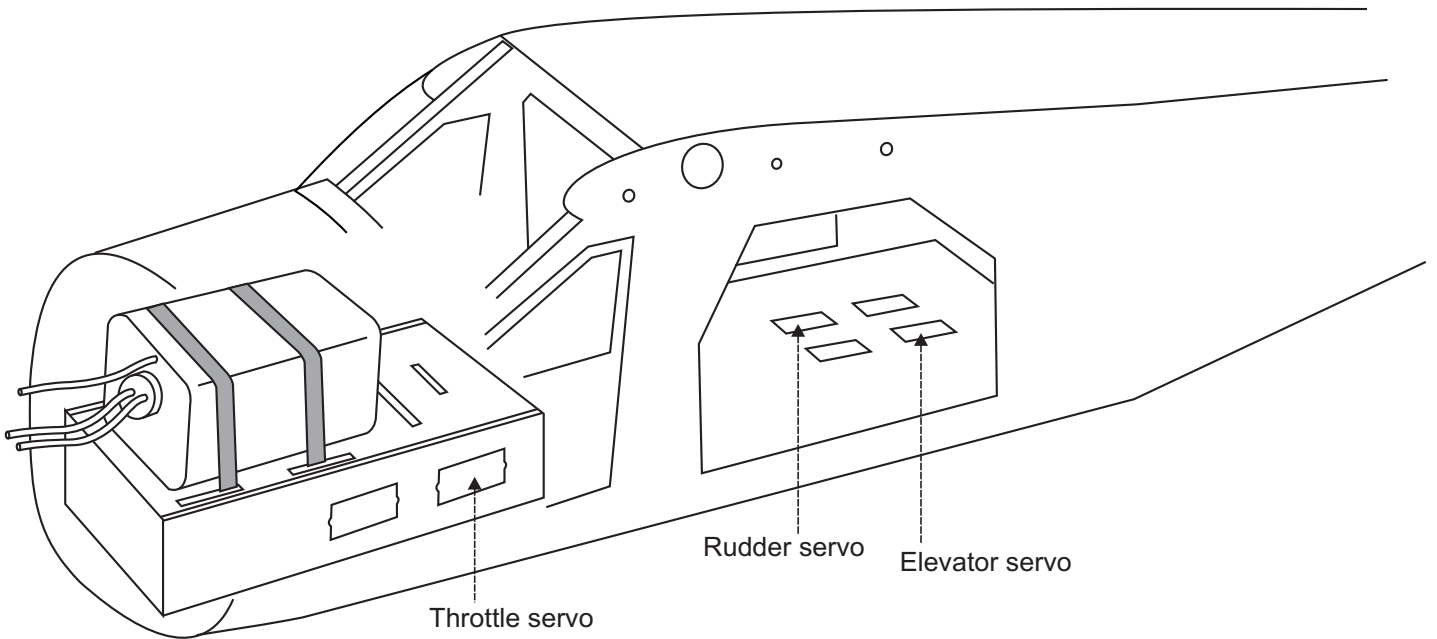
3x8mm screw
Blechschaube
.....3



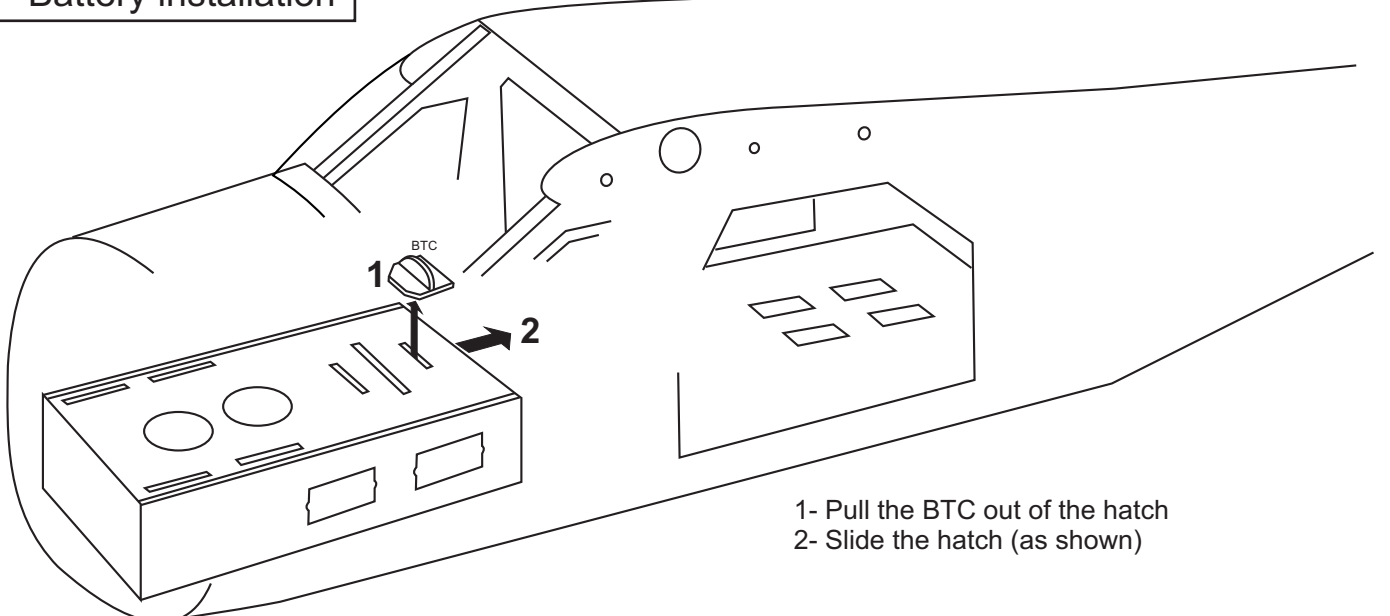
15A- Dummy engine



16- Fuel tank / Kraftstofftank

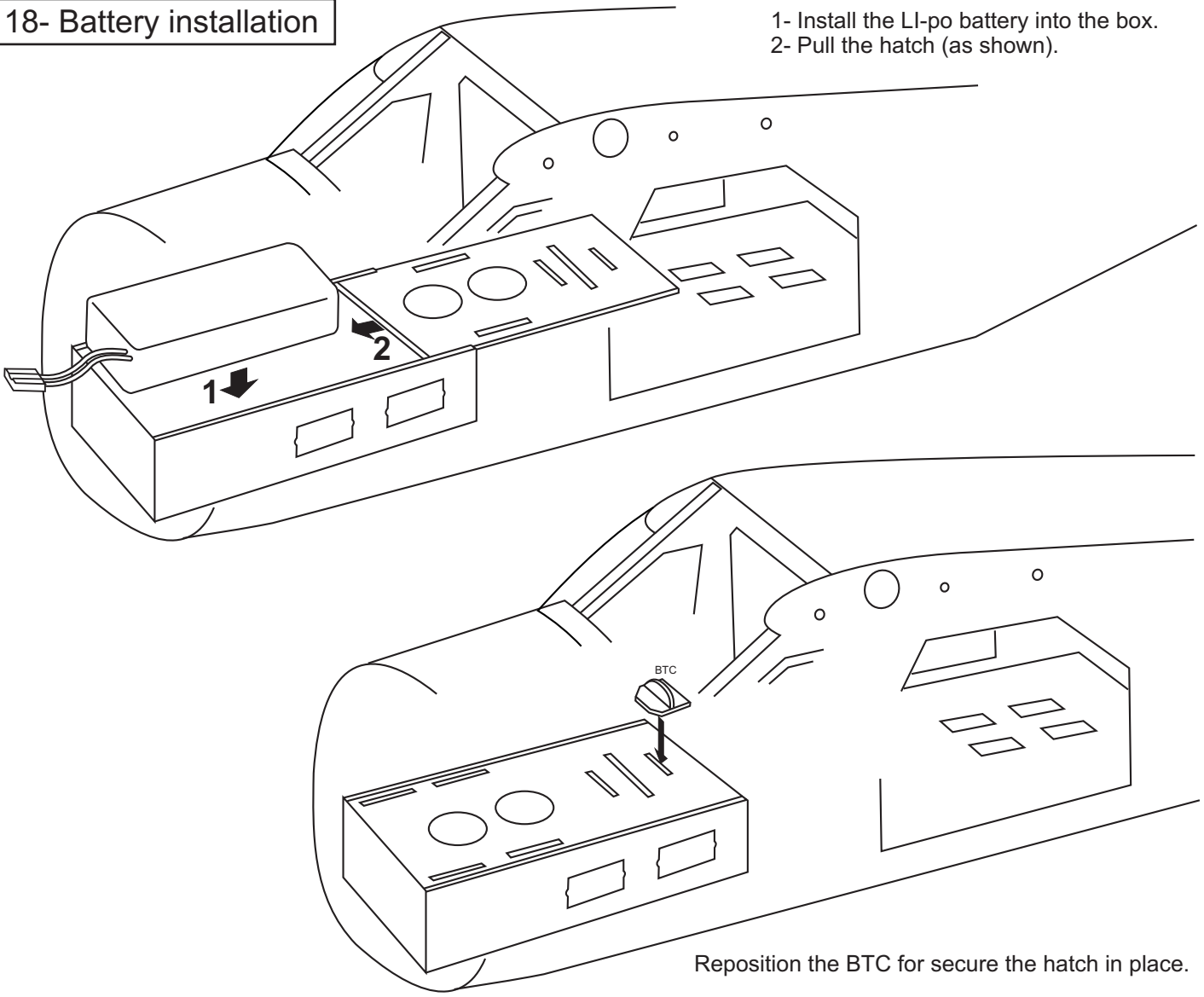


17- Battery installation



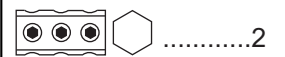
18- Battery installation

- 1- Install the LI-po battery into the box.
- 2- Pull the hatch (as shown).

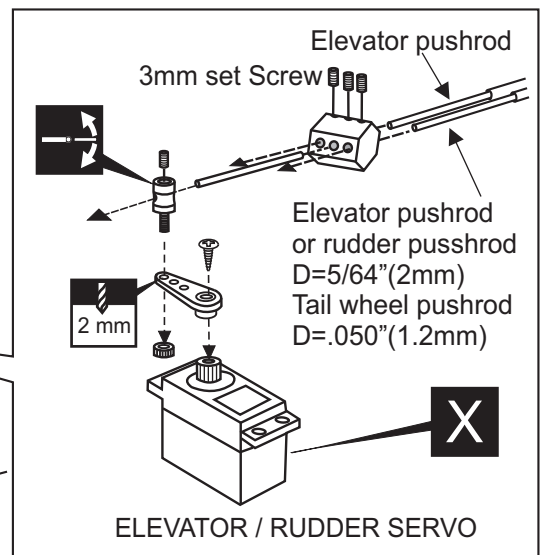
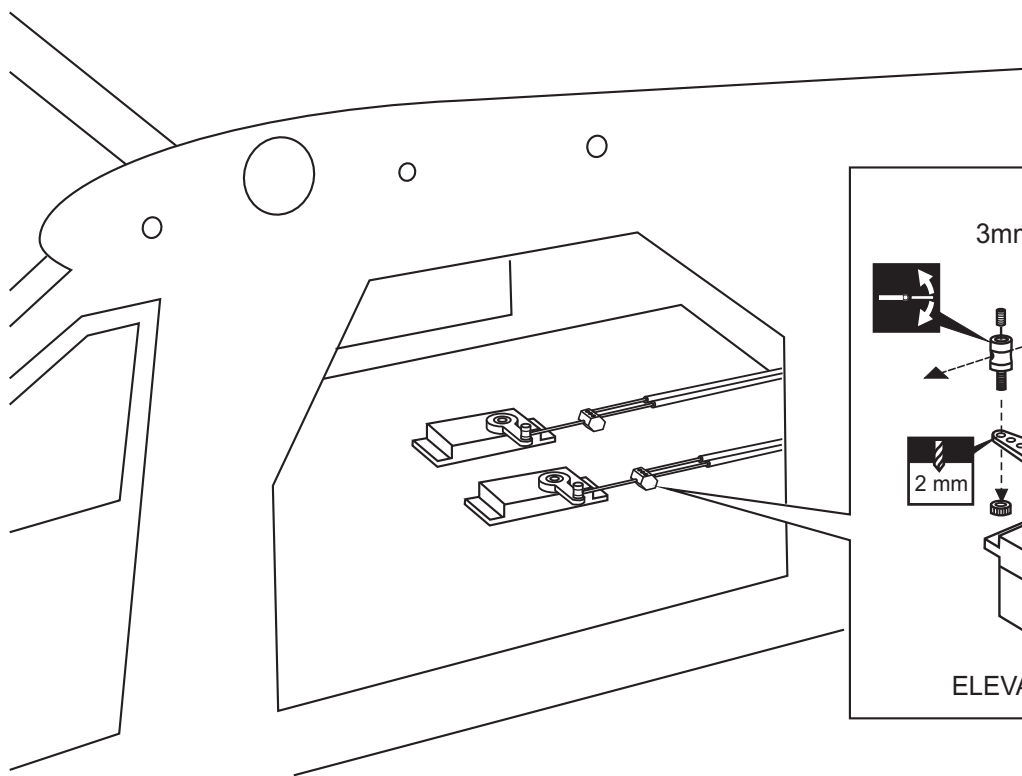


19- Linkage / Anlenkungen

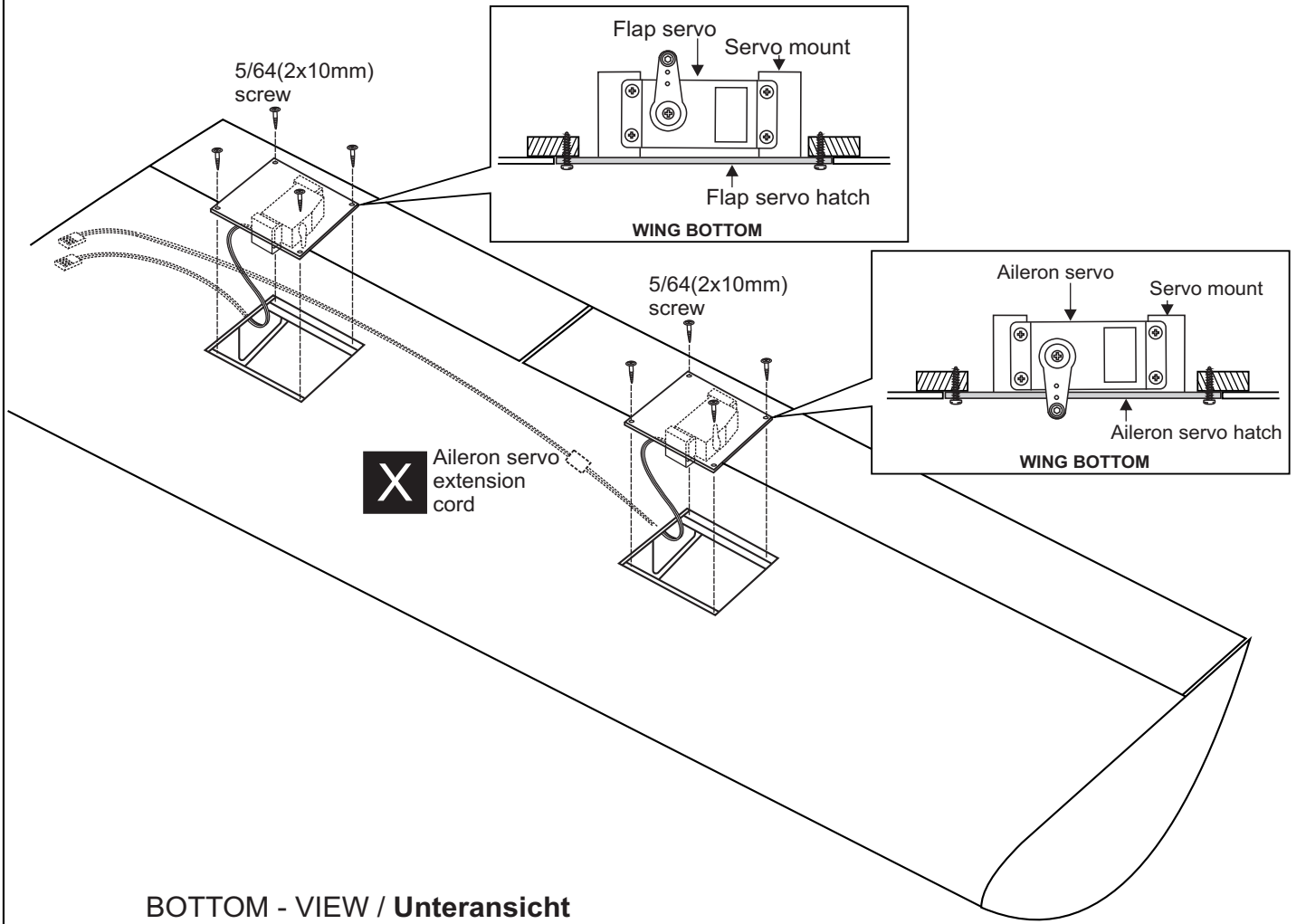
Connector
Gestängeanschluss



Connector
Gestängeanschluss



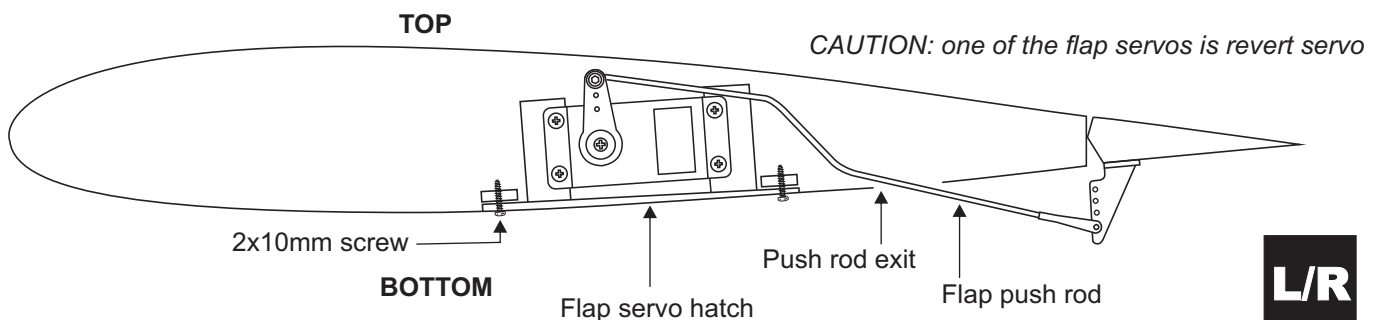
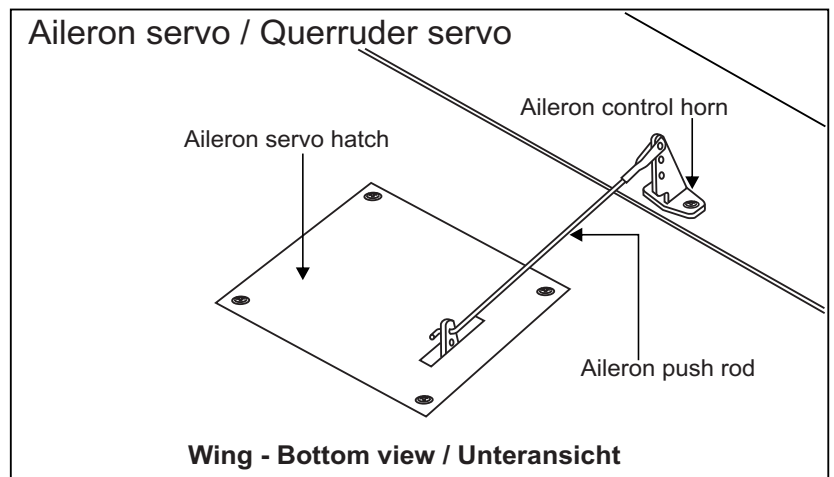
20- Servo installation / Servoeinbau



21- Linkages / Anlenkungen

	Control horn	2x30mm screw
.....224
	2

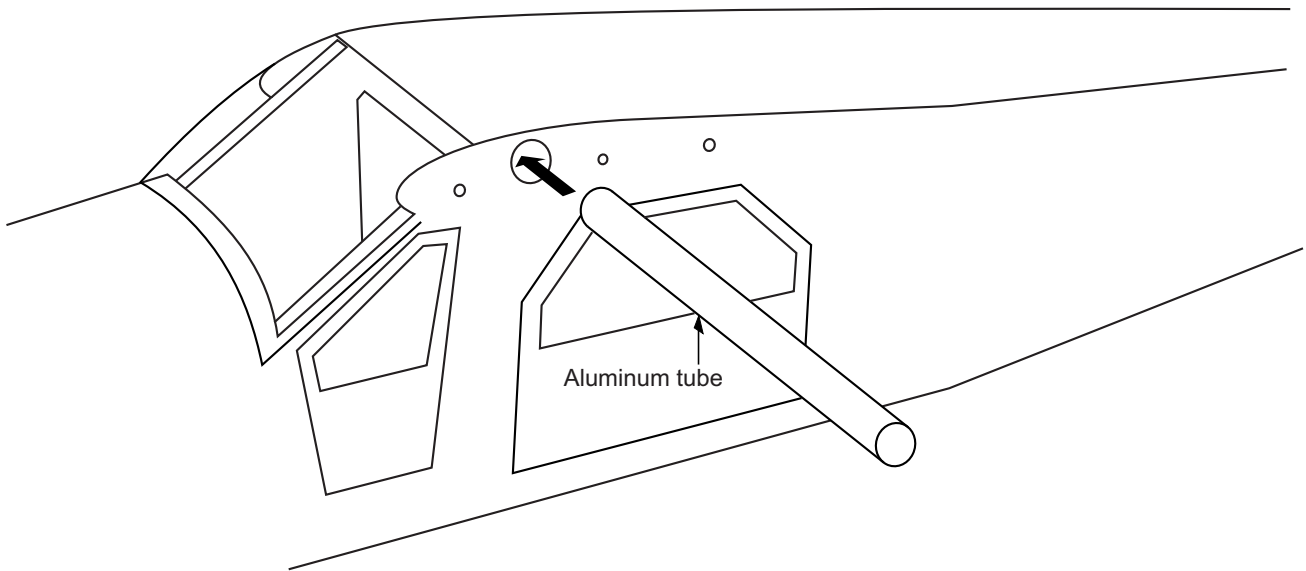
Aileron servo / Querruder servo



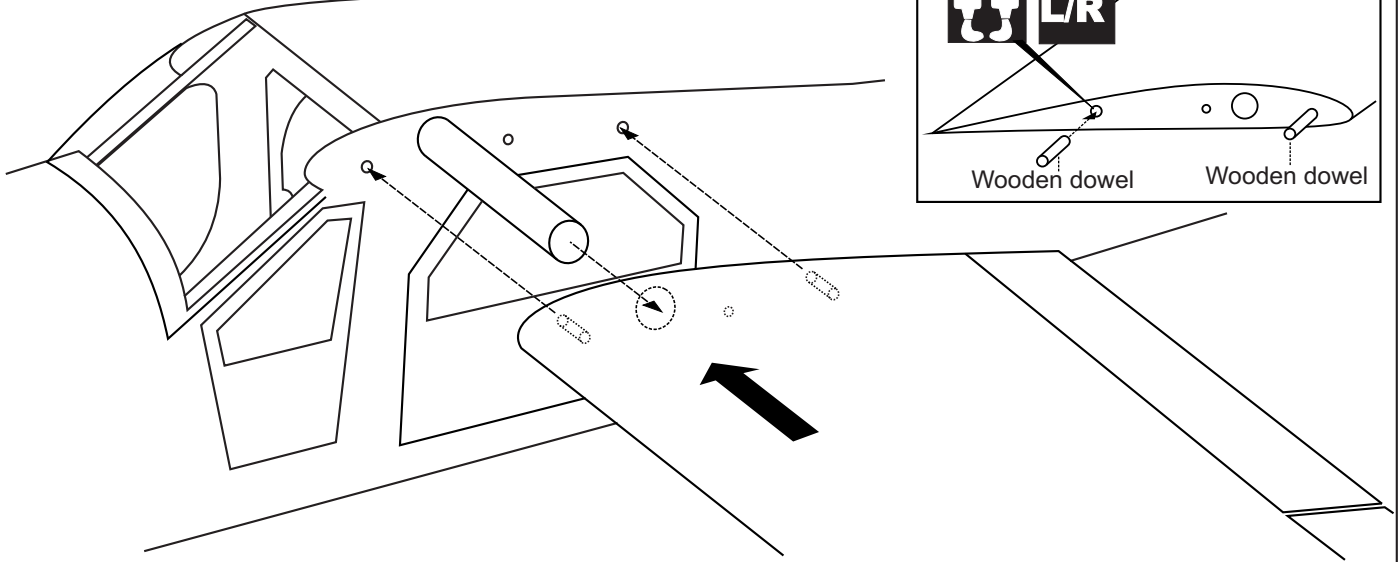
L/R

- 1- Place the flap servo onto the servo mounts and secure it in place using the four screws included with the servo.
- 2- Install the flap push rod connector onto the hole in the flap servo arm and insert the push rod through the push rod connector.
- 3- Place the flap servo hatch in its mount and secure it in place using four 2x10mm screws.

22- Installing the wing / Tragflächeneinbau

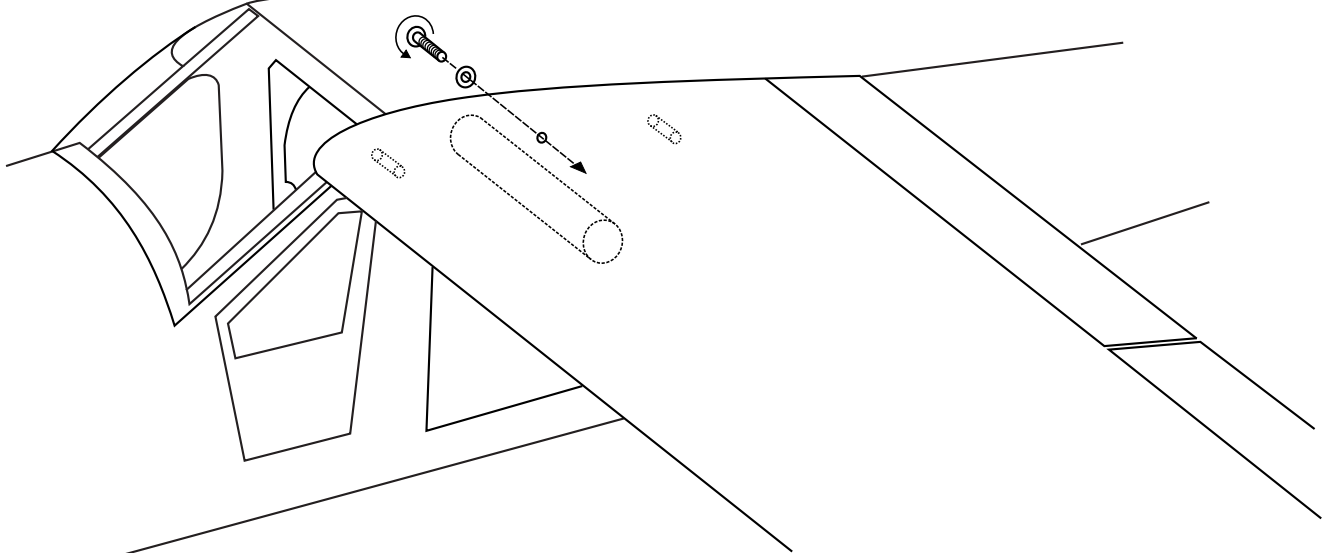


23- Installing the wing / Tragflächeneinbau

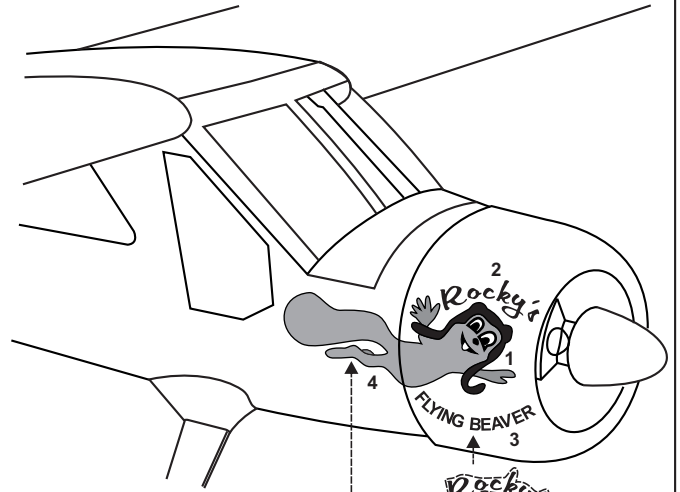
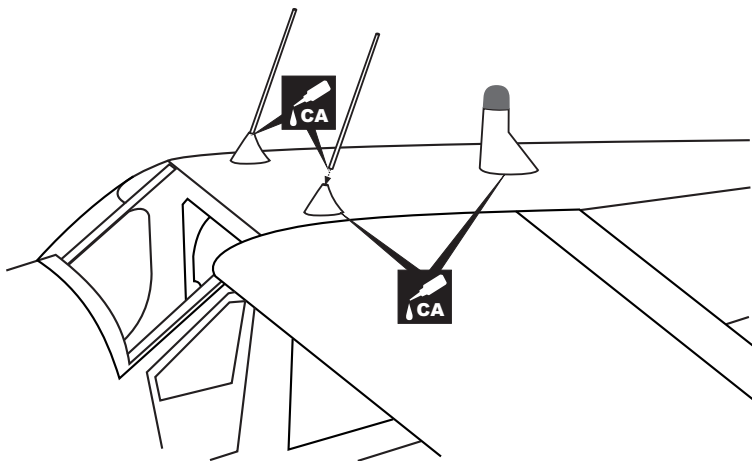


24- Installing the wing / Tragflächeneinbau

5x20mm screw2 5mm washer2 **L/R**



25- Decor / Aufkleber

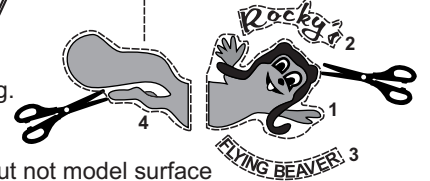


Note: Cut out the stickers and apply them in the proper area.

Do not peel the backing paper off all at once. Peel off one corner of the backing and cut off with scissors. Arrange sticker on model and when satisfied adhere the corner without backing. Carefully peel back the rest of the backing while at the same time adhering the rest of the sticker.

Try not to make air bubbles, if there are some, carefully puncture sticker (center of bubble) but not model surface with the tip of the knife or sharp pin and squeeze out the air.

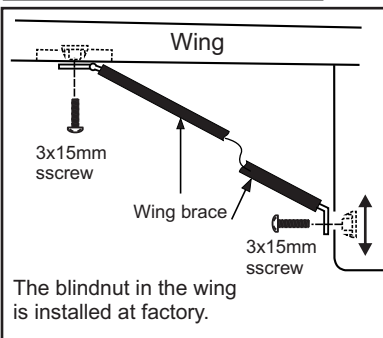
At curves stretch sticker and apply a little heat so that no creases occur. Cut off the excess that is produced.



26- Installing the wing / Tragflächeneinbau

3x15mm screw / Schraube

.....2



The blindnut in the wing is installed at factory.

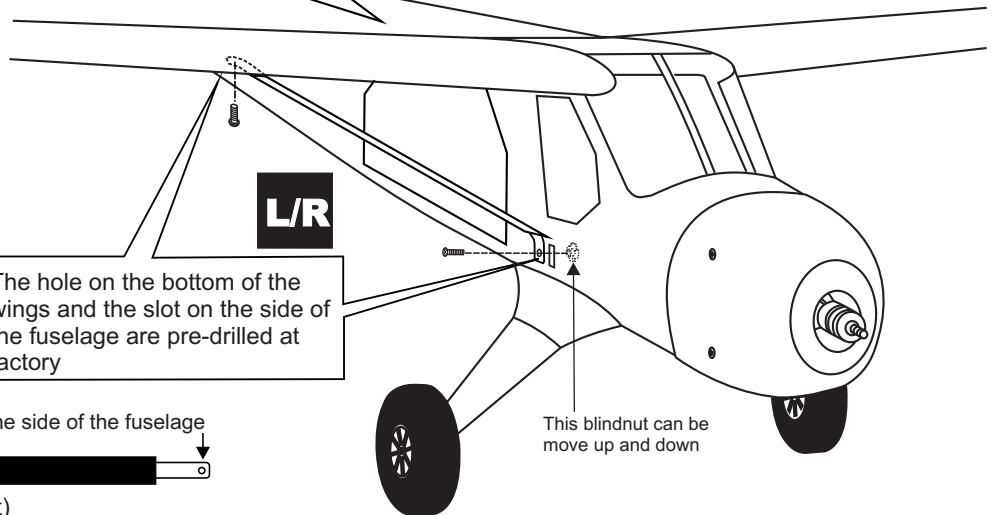
The hole on the bottom of the wings and the slot on the side of the fuselage are pre-drilled at factory

To the bottom of the wing

To the side of the fuselage

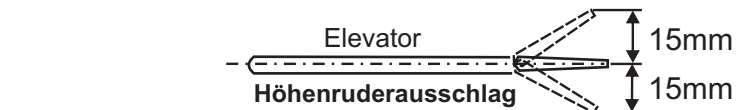
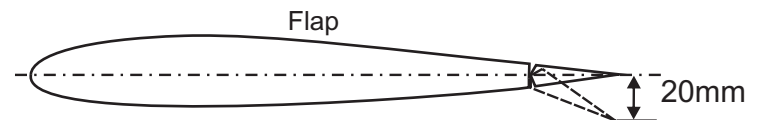
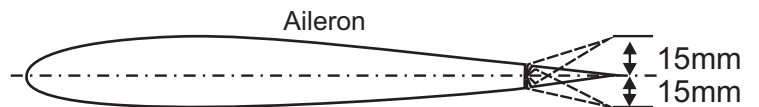
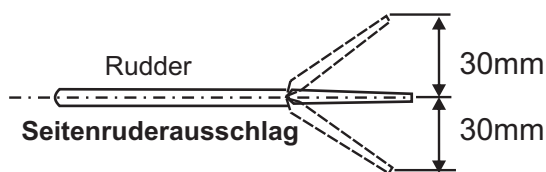


Wing brace (right - left)



This blindnut can be move up and down

27- Balance / Schwerpunkt



Do not try to fly an out-of balance model!

Überprüfen Sie vor dem Flug den Schwerpunkt.



IMPORTANT:

Please do not clean your model with pure alcohol, only use liquid soap with water or use glass cleaner to clean on surface of your model to keep the colour not fade.

All details are subject to change without notice !

Technische Änderungen und Irrtümer vorbehalten !