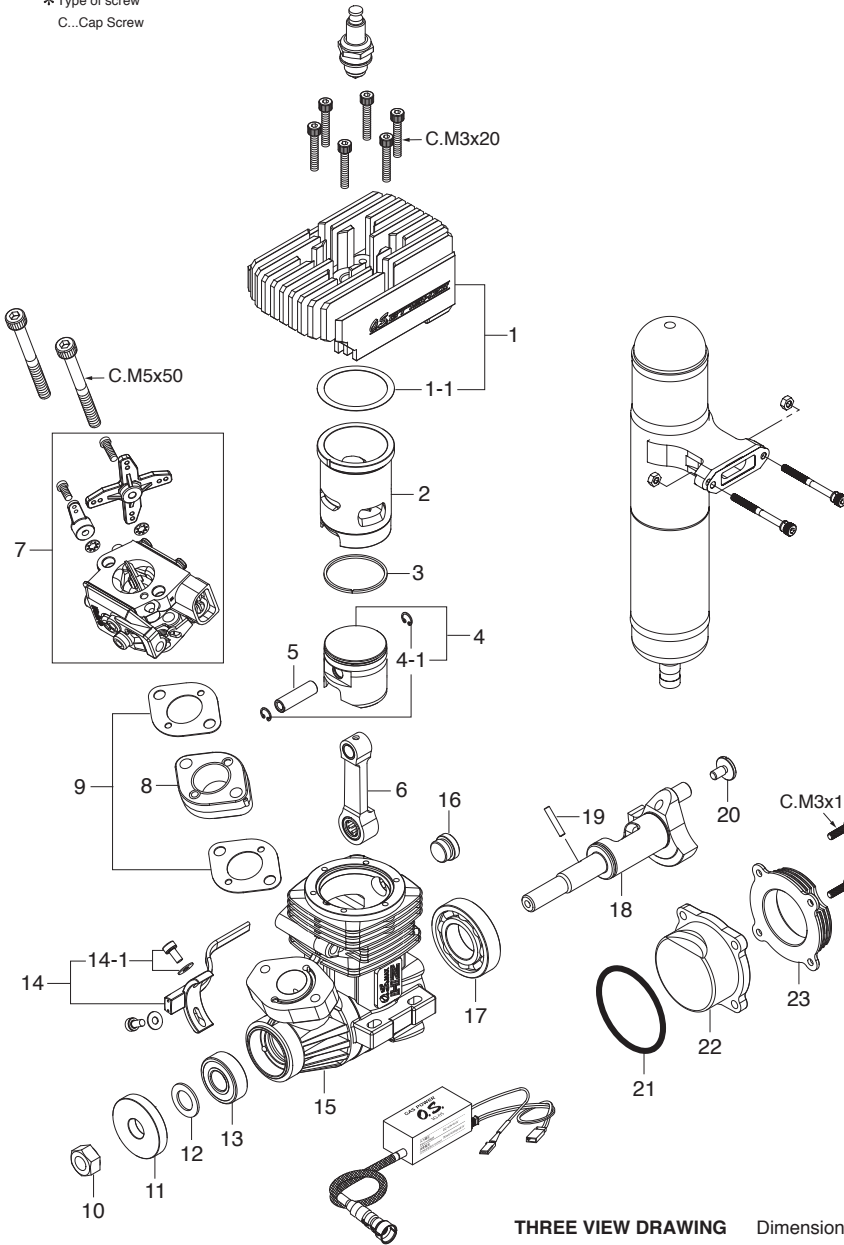


**ENGINE EXPLODED VIEW & PARTS LIST**

\* Type of screw  
C...Cap Screw

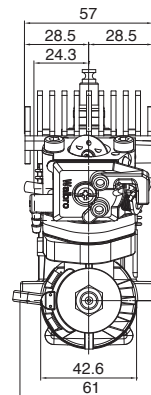
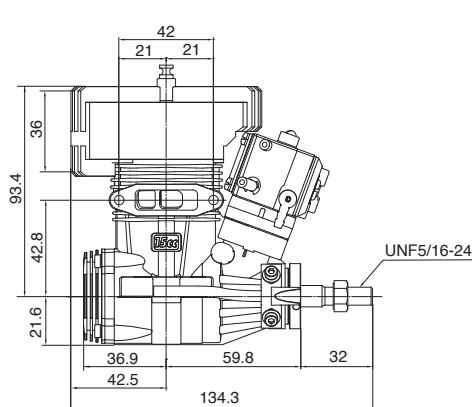
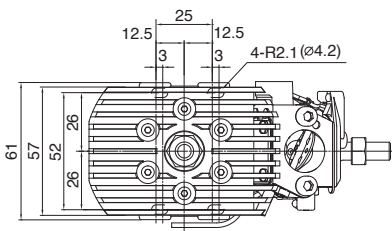


**CAP SCREW SETS (10pcs./sets)**

| Code No. | Size  | Pcs. used in an engine                |
|----------|-------|---------------------------------------|
| 79871140 | M3x12 | Cover Plate Retaining Screw (4pcs.)   |
| 79871200 | M3x20 | Heatsink Head Retaining Screw (6pcs.) |
| 79871550 | M5x50 | Caburetor Retaining Screw (2pcs.)     |

| No.  | Code No. | Description                                 |
|------|----------|---|
| 1    | 28154010 | Heatsink Head                               |
| 1-1  | 29061406 | Head Gasket (0.2mm)                         |
| 2    | 28153100 | Cylinder Liner                              |
| 3    | 28153400 | Piston Ring                                 |
| 4    | 28153202 | Piston                                      |
| 4-1  | 28117030 | Piston Pin Retainer (2pcs.)                 |
| 5    | 26606008 | Piston Pin                                  |
| 6    | 28155000 | Connecting Rod                              |
| 7    | 28181000 | Carburetor Complete (WT-1067)               |
| 8    | 28169450 | Thermo Insulator                            |
| 9    | 49415000 | Carburetor Gasket (2pcs.)                   |
| 10   | 45010002 | Propeller Nut                               |
| 11   | 28158000 | Drive Hub                                   |
| 12   | 46120000 | Thrust Washer                               |
| 13   | 26731010 | Ball Bearing (F)                            |
| 14   | 74002320 | Rotation Sensor                             |
| 14-1 | 74002321 | Rotation Sensor Retaining Screw Set (2pcs.) |
| 15   | 28151000 | Crankcase                                   |
| 16   | 28151300 | Crankcase Plug                              |
| 17   | 29030001 | Ball Bearing (R)                            |
| 18   | 28152000 | Crankshaft                                  |
| 19   | 44408100 | Drive Pin                                   |
| 20   | 28152100 | Crank Pin Stop Screw                        |
| 21   | 27414020 | Cover Gasket                                |
| 22   | 28157000 | Cover Plate                                 |
| 23   | 29077100 | Crankcase Heatsink                          |
|      | 74002610 | Ignition Module (IG-05)                     |
|      | 71669010 | Spark Plug CM-6 (Rcexl)                     |
|      | 29781375 | Throttle Valve Lever Assembly (W/washer)    |
|      | 29781355 | N4-40x9 Screw                               |
|      | 29781360 | Choke Valve Lever Assembly                  |
|      | 29781350 | N4-40x5 Screw                               |
|      | 72148000 | PowerBoost Pipe GT15HZ                      |

**THREE VIEW DRAWING** Dimensions (mm)



**SPECIFICATIONS**

|                    |  |
|--------------------|--|
| ■ Displacement     | 14.95 cc / 0.912 cu.in.  |
| ■ Bore             | 27.7 mm / 1.091 in.  |
| ■ Stroke           | 24.8 mm / 0.976 in.  |
| ■ Output           | 2.8 ps / 2.76 hp / 14,000 r.p.m.   |
| ■ Practical R.P.M. | 2,000-16,000 r.p.m.  |
| ■ Weight           | 748.6 g / 26.41 oz. (Engine)<br>92.0 g / 3.25 oz. (Ignition module)<br>197.5 g / 6.97 oz. (PowerBoost Pipe GT15HZ) |