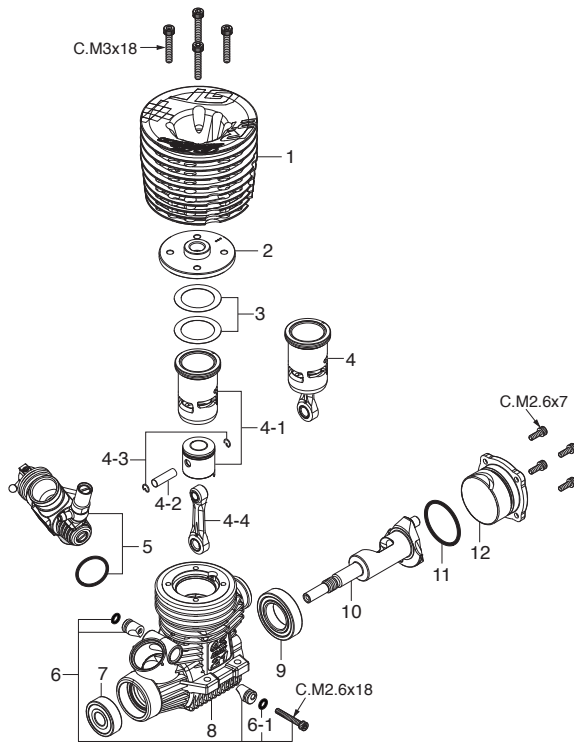


■ O.S.SPEED R21GT ENGINE EXPLODED VIEW

* Type of screw
C...Cap Screw



■ ENGINE PARTS LIST

No.	Code No.	Description
* 1	2CC04000	Outer Head
2	2A004100	Inner Head
3	2A004160	Head Gasket (0.1mm, 0.15mm)
* 4	2CC03010	Built-up Parts Set
* 4-1	2CC03000	Cylinder & Piston Assembly
4-2	22016000	Piston Pin
4-3	2AP17000	Piston Pin Retainer 2 (6pcs.)
4-4	23755024	Connecting Rod (w/piston pin retainers 3pcs.)
* 5	2CC81000	Carburetor Complete Type 22E(B)GT
6	23981740	Carburetor Retainer Assembly
6-1	24881824	"O" Ring (2pcs.)
7	23731000	Ball Bearing (Front)
* 8	2CC01000	Crankcase
9	23730020	Ball Bearing (Rear)
* 10	2CC02000	Crankshaft
11	23107100	Cover Gasket
12	2A007000	Cover Plate
	71642060	Glow Plug RP6
	71533270	Carburetor Reducer $\phi 7$ (RED)ALUMINUM
	22826145	Exhaust Seal Ring 21 (10pcs.)
	22884254	Dust Cap Set 12-30 (3mmx2,16mmx2,18mmx1)

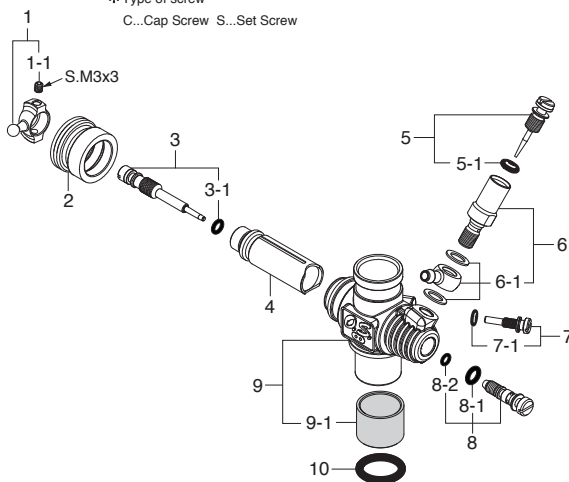
* marked parts are available only for limited period
(one year after finishing the production).

CAP SCREW SETS (10pcs./set)

Code No.	Size	Pcs. used in an engine
79871020	M2.6x7	Cover Plate Retaining Screw (4pcs.)
79871055	M2.6x18	Carburetor Retainer Retaining Screw (1pc.)
79871180	M3x18	Cylinder Head Retaining Screw (4pcs.)

■ CARBURETOR EXPLODED VIEW

* Type of screw
C...Cap Screw S...Set Screw



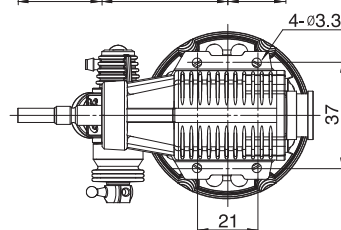
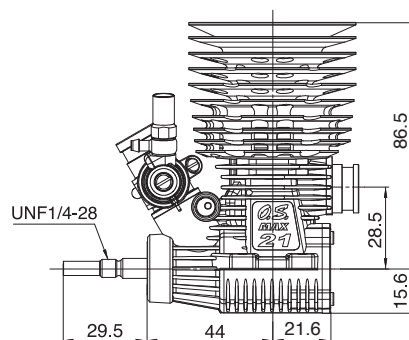
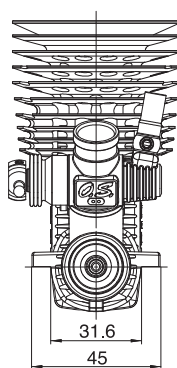
■ CARBURETOR PARTS LIST

No.	Code No.	Description
1	2BN81430	Ball Link No.6
1-1	26381501	Retaining Screw
2	2BN81520	Dust Cover
* 3	2CC81500	Metering Needle Assembly 21M
3-1	27881820	"O" Ring (2pcs.)
4	22848210	Slide Valve
5	23618197	Needle Assembly
5-1	46066319	"O" Ring (2pcs.)
6	22082940	Needle Holder Assembly
6-1	22082950	Fuel Inlet (No.15)
7	22848160	Throttle Stop Screw (21J)
7-1	27881820	"O" Ring (2pcs.)
8	22082600	Mixture Control Valve Assembly 21M
8-1	46066319	"O" Ring (L) (2pcs.)
8-2	22781800	"O" Ring (S) (2pcs.)
9	2BP81100	Carburetor Body 22E(B) (w/Thermo Insulator)
9-1	2AN81101	Thermo Insulator 21J3
10	29015019	Carburetor Rubber Gasket

■ THREE VIEW DRAWING Dimensions (mm)

SPECIFICATIONS

■ Displacement	3.49 cc / 0.213 cu.in.
■ Bore	16.08 mm / 0.633 in.
■ Stroke	17.20 mm / 0.677 in.
■ Output	2.65 ps / 2.61 hp / 34,000 r.p.m.
■ Practical R.P.M.	4,000-42,000 r.p.m.
■ Weight	369 g / 13.02 oz. (Engine)



O.S. ENGINES MFG.CO.LTD.

6-15 3-Chome Imagawa Higashiumiyoshi-ku
Osaka 546-0003, Japan TEL. (06)6702-0225
http://www.os-engines.co.jp FAX. (06)6704-2722