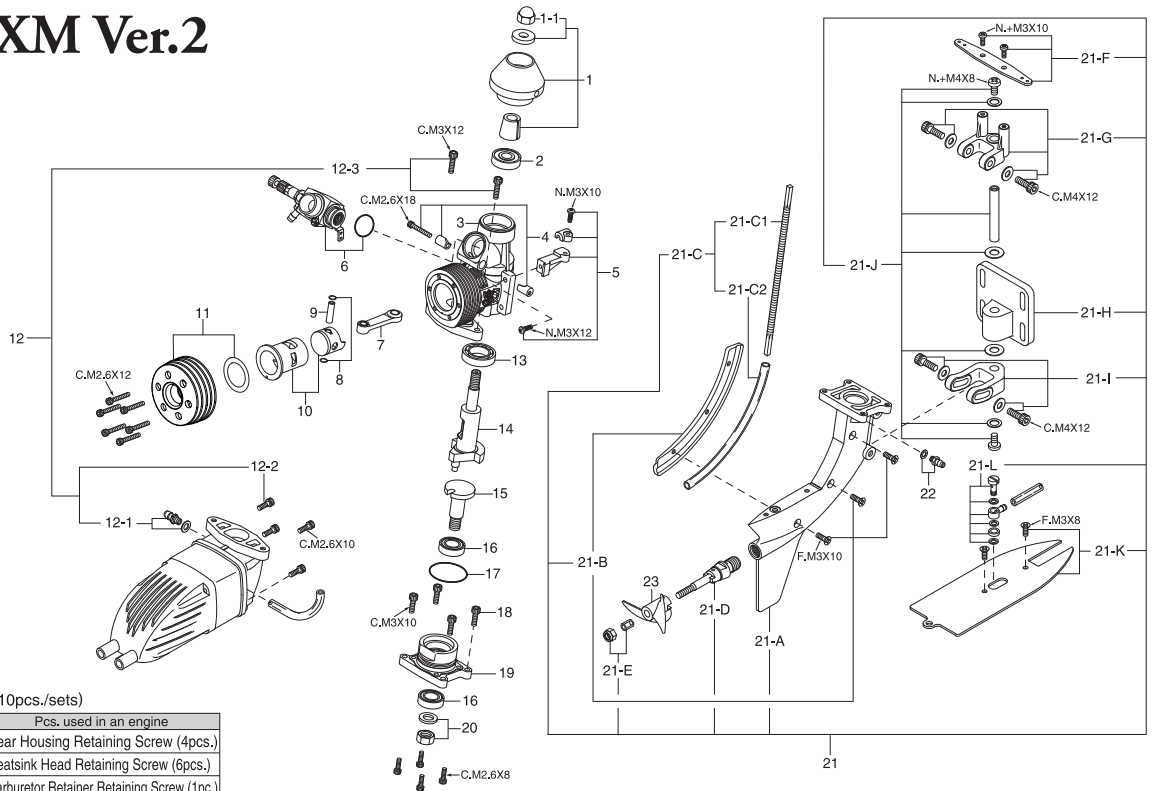


## MAX-21XM Ver.2

(13941)

### TYPE 20J

(25382000)



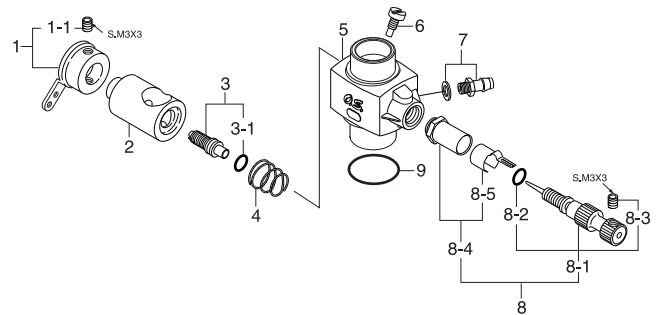
#### CAP SCREW SETS (10pcs./sets)

| Code No. | Size    | Pcs. used in an engine                     |
|----------|---------|--|
| 79871025 | M2.6x8  | Rear Housing Retaining Screw (4pcs.)       |
| 79871040 | M2.6x12 | Heatsink Head Retaining Screw (6pcs.)      |
| 79871055 | M2.6x18 | Carburetor Retainer Retaining Screw (1pc.) |

| No.   | Code No. | Description                                       |
|-------|----------|---|
| 1     | 71802100 | Flywheel Assembly (No.2J)                         |
| 1-1   | 27721700 | Flywheel Nut                                      |
| 2     | 41614000 | Crankshaft Ball Bearing (Front)                   |
| 3     | 23851000 | Crankcase   |
| 4     | 23981700 | Carburetor Retainer                               |
| 5     | 71532000 | Throttle Linkage Bracket                          |
| 6     | 25382000 | Carburetor Complete (Type 20J)                    |
| 7     | 23755020 | Connecting Rod                                    |
| 8     | 21817000 | Piston Pin Retainer (2pcs.)                       |
| 9     | 23906000 | Piston Pin  |
| 10    | 23853000 | Cylinder & Piston Assembly                        |
| 11    | 23854000 | Heatsink Head Assembly                            |
| 11-1  | 23814020 | Head Gasket                                       |
| 12    | 23875010 | E-2050-2 Silencer Assembly                        |
| 12-1  | 22681953 | Nipple No.1                                       |
| 12-2  | 23875310 | Silencer Assembly Screw (4pcs.)                   |
| 12-3  | 23875400 | Silencer Retaining Screw (2pcs.)                  |
| 13    | 23930000 | Crankshaft Ball Bearing (Rear)                    |
| 14    | 23852010 | Crankshaft  |
| 15    | 23852100 | Drive Shaft                                       |
| 16    | 22631019 | Drive Shaft Ball-Bearing (1pc.)                   |
| 17    | 23814030 | Cover Gasket                                      |
| 18    | 23871140 | Rear Housing & Board Unit Retaining Screw (4pcs.) |
| 19    | 23861000 | Rear Housing                                      |
| 20    | 23852200 | Drive Shaft Nut                                   |
| 21    | 23871010 | Outboard Unit Assembly                            |
| 21-A  | 23871100 | Outboard Unit                                     |
| 21-B  | 23871200 | Side Plate  |
| 21-C  | 23873010 | Flexible Wire Assembly                            |
| 21-C1 | 23873000 | Flexible Wire                                     |
| 21-C2 | 23873100 | Flexible Wire Outer Pipe                          |
| 21-D  | 23871400 | Propeller Shaft Assembly                          |
| 21-E  | 23810000 | Propeller Nut                                     |
| 21-F  | 23874500 | Steering Arm                                      |
| 21-G  | 23874100 | Upper Arm   |
| 21-H  | 23874000 | Mount Plate                                       |
| 21-I  | 23874200 | Lower Arm   |
| 21-J  | 23874300 | Arm Shaft Assembly                                |
| 21-K  | 23871300 | Cavitation Plate                                  |
| 21-L  | 45571110 | Universal Nipple L3.5                             |
| 22    | 22681953 | Nipple No.1                                       |
| 23    | 23870000 | Marine Propeller                                  |
|       | 71608001 | Glowplug No.8                                     |

\* Type of screw

C...Cap Screw M...Oval Fillister-Head Screw  
F...Flat Head Screw N...Round Head Screw S...Set Screw



| No. | Code No. | Description                  |
|-----|----------|------------------------------|
| 1   | 24981405 | Throttle Lever Assembly      |
| 1-1 | 26381501 | Set-screw                    |
| 2   | 25381203 | Carburetor Rotor             |
| 3   | 26781309 | Mixture Control Valve        |
| 3-1 | 24881824 | " O " Ring (2pcs.)           |
| 4   | 26781506 | Rotor Spring                 |
| 5   | 25382100 | Carburetor Body              |
| 6   | 25381220 | Rotor Guide Screw            |
| 7   | 22681953 | Fuel Inlet (No.1)            |
| 8   | 27881900 | Needle Valve Assembly        |
| 8-1 | 24981959 | Needle Assembly              |
| 8-2 | 24981837 | " O " Ring (2pcs.)           |
| 8-3 | 26381501 | Set-screw                    |
| 8-4 | 27381940 | Needle Valve Holder Assembly |
| 8-5 | 26711305 | Ratchet Spring               |
| 9   | 29015019 | Carburetor Rubber Gasket     |